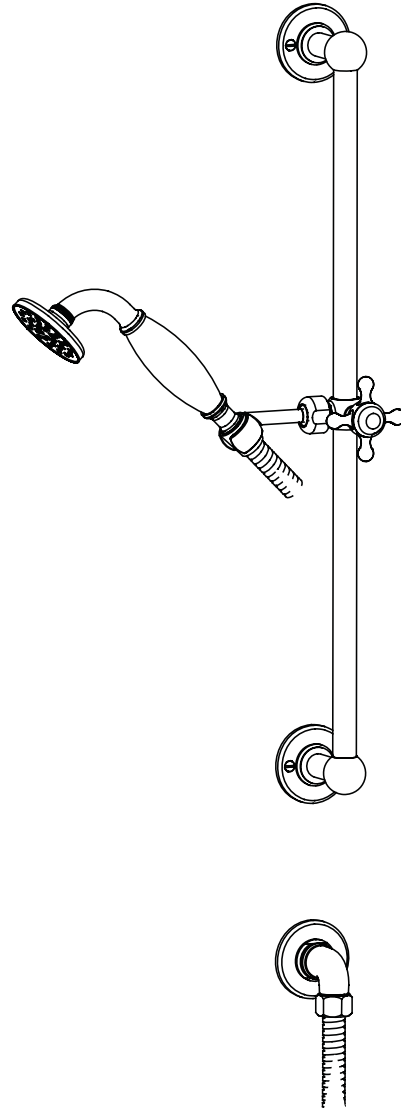
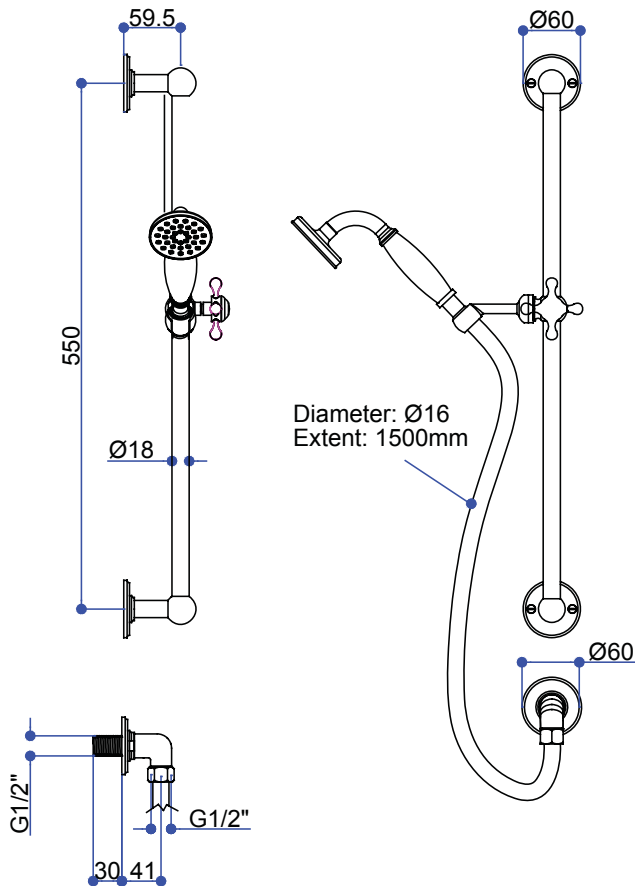


INSTALLATION INSTRUCTIONS

Slide rail kit - V12



Dimension



Important

- We recommend that this product is installed by a qualified professional contractor. Such as a plumber who is certified by NVQ (National Vocational Qualification) or SNVQ (Scottish National Vocational Qualification) Level 3
- Please check this product immediately to ensure that it has not been damaged and is complete. Before installation, please make sure this product is the correct model and you have all the parts required for installation and using.
- Please read these instructions carefully and keep it for future reference.

Maintenance

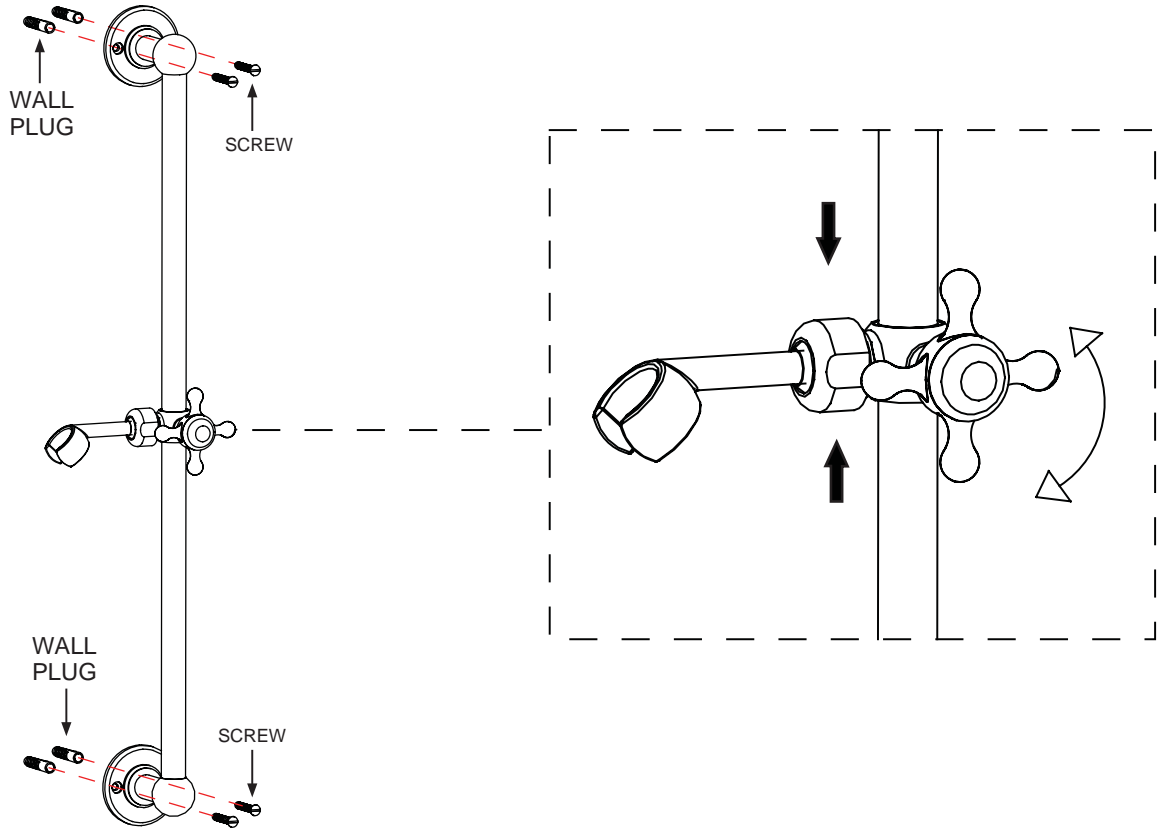
We do NOT recommend you use any household cleaners to clean the product. Because these cleaners change substance or formula too frequently. The product should be always cleaned only with soapy water and rinsed with clean water and dried with a soft cloth.

Installation

Install the slide rail

After identify the suitable place on the wall for slide rail kit, you need install the Slide rail first.

- A) Put two back plates on the wall and mark the position of 4 holes.
- B) Drill 4X8mm holes on the wall to a depth of 45mm and insert wall plugs.
- C) Fix the back plates and Slide rail to the wall with the supplied screws.



2. Install the wall mounting elbow and flexible hose

- A) Drill 24mm diameter hole on the wall.
- B) Smear or wind a suitable sealing material round the tail of elbow and then insert the tails into the holes on the wall.
- C) The fiber washer (not supplied) maybe inserted between the tail and the wall or tile surface to protect it.
- D) Connect the water supplier pipe to the tail.
- E) Tight the tail with pipe.
- F) It is possible to use a G1/2 fixing nut (not supplied) to secure the wall mounting elbow if they reach through a wall and the supply can then terminate in a swivel or flexible coupling.
- G) Screw the flexible hose on the elbow.

