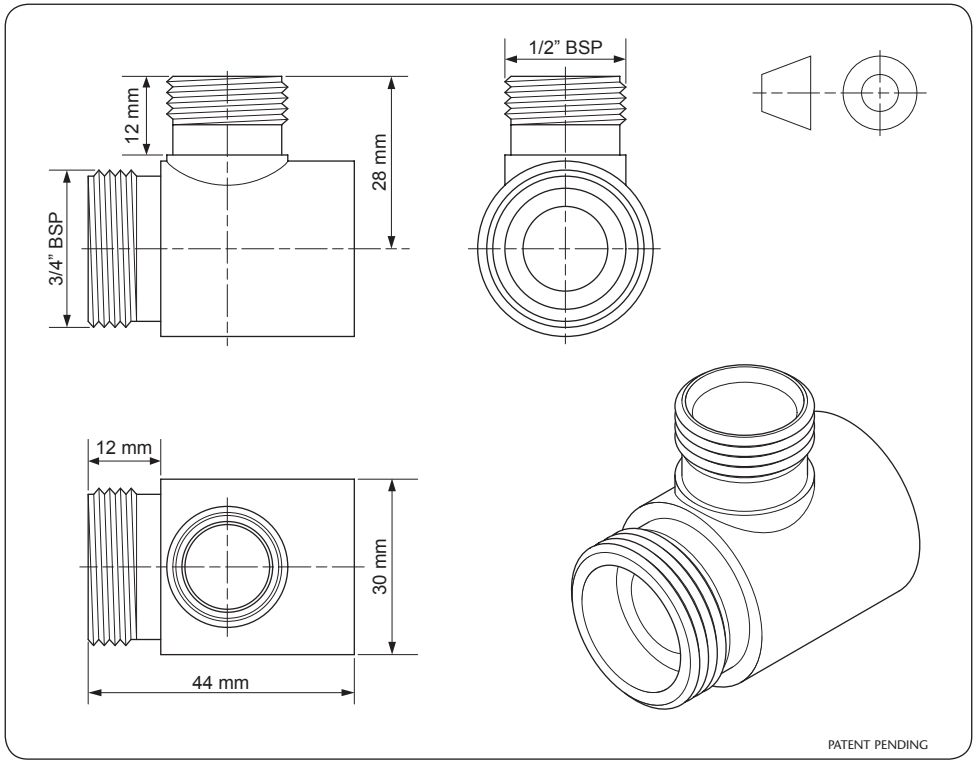


BAR MIXER BRACKET

(exposed pipework)

For Bar Mixers & Bath Shower Mixers



Installation Instructions

INSTALLERS PLEASE NOTE THESE INSTRUCTIONS ARE TO BE LEFT WITH THE USER

Fig.1

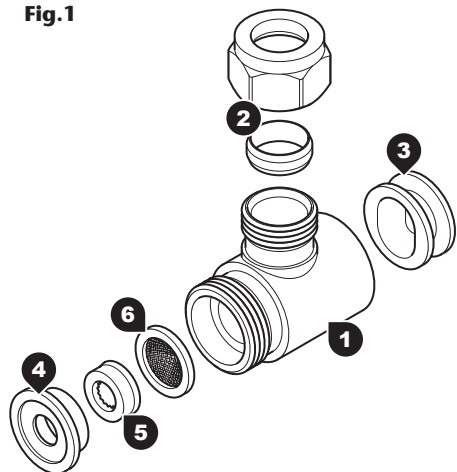


Fig.2

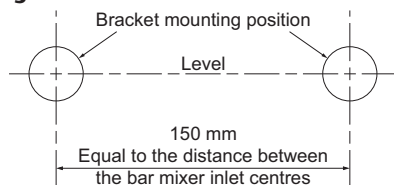


Fig.3

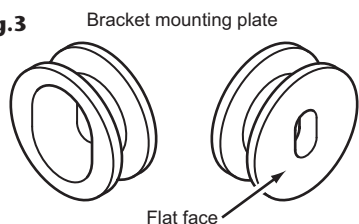
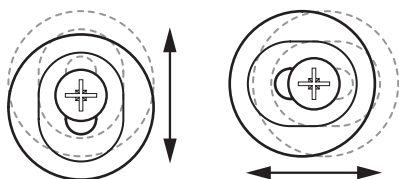


Fig.4

Adjustment in any direction



INTRODUCTION

This guide contains all the necessary fitting instructions for your (exposed pipework) bar mixer bracket. The bracket has been designed to be surface mounted, using 15 mm pipework and can be used with any bar mixer or bath shower mixer with 3/4" BSP fixings.

Please read the instructions carefully. Read through the whole of this guide before beginning installation.

The bracket installation must be carried out by a suitably competent person and in the sequence of the instruction book.

Care taken during the installation will provide trouble free operation from the bracket.

SAFETY WARNINGS

- a. Layout and sizing of pipework must be such that when other services are used, pressures at the mixer control inlets do not fall below the recommended minimum.
- b. **DO NOT choose a position where the mixer shower could become frozen.**
- c. **DO NOT connect to any form of tap or fitting not recommended by the manufacturer.**
- d. Conveniently situated service valves in each inlet supply must be fitted as an independent method of isolating the bracket should maintenance or servicing be necessary.

Refer to the mixer installation guide for further information.

Replacement parts can be ordered from Triton Customer Service.

COMPONENTS

The bracket is supplied as shown in (fig.1) and comprises of the following:

1. Bracket and grub screw (2 off)
 2. 15 mm compression fitting and olive (2 off)
 3. Mounting plate (2 off)
 4. Seal (2 off)
 5. Flow regulator (2 off)
 6. Filter (2 off)
- Screws and wall plugs (not shown)

INSTALLATION

IMPORTANT: These bar mixer brackets are designed to be mounted onto a solid structure. If installing to a stud partition wall, dry lined wall or similar, it is recommended that the brackets are secured to the studs or noggins.

Decide upon the mounting position of the brackets on the tiled wall and mark the centres. Check the mounting marks are level and that the distance between them is equal to the distance between the bar mixer inlet centres (**fig.2**).

Drill and plug the wall. (*The wall plugs provided are suitable for most brick walls. Use suitable screws for the wall selected.*)

Secure the bracket mounting plates to the wall using the screws provided.

Note: The flat face of the mounting plate should be against the face of the wall (**fig.3**).

Again, ensure that the distance between the centres is correct and level. The fixing hole in each mounting plate is elongated to allow some final adjustment (**fig.4**).

Temporarily fit the brackets to the mounting plates and complete the 15 mm feed pipework to the brackets.

Note: If using chrome plated copper pipework, it is recommended that the pipe be cut to length using a pipe cutter, at the end which enters the bracket.

Make sure that the end of the pipework to each bracket is deburred and is flushed through to remove any debris.

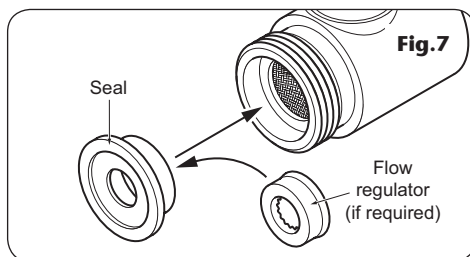
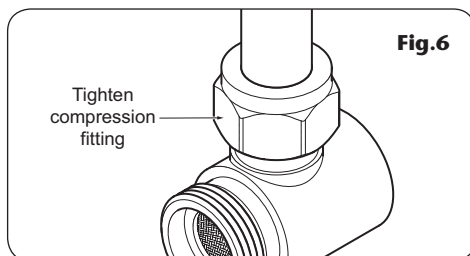
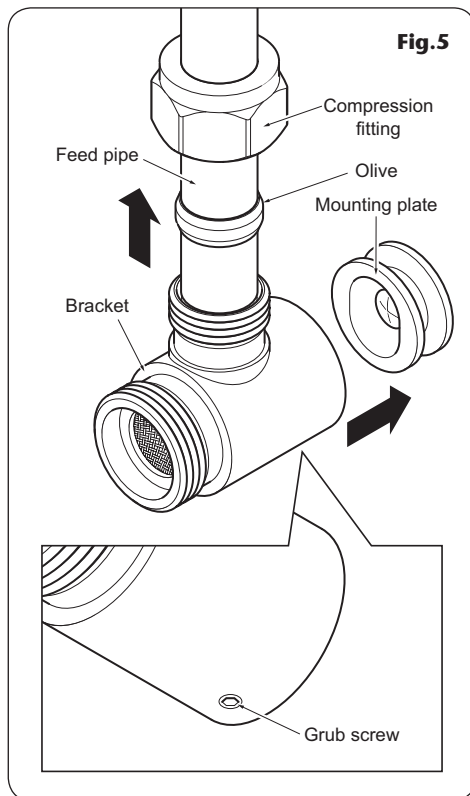
Remove each bracket from the mounting plate, slide the compression fitting and olive onto the incoming pipework. Fit the bracket to the pipework and onto the mounting plate. Secure the bracket to the mounting plate by tightening the grub screw in the base (**fig.5**).

Secure the pipework to the bracket (**fig.6**).

If required, insert the flow regulators into the seals. (*Flow regulators limit water flow. Different regulators are available depending on the flow rate required.*)

Push-fit the seals into the bracket outlets (**fig.7**).

Fit and secure the bar mixer to the brackets.



Bar mixer bracket (exposed pipework)

SPARE PARTS

Ref. Description	Part No.
1. Compression fitting (1/2" BSP)	21000420
2. Olive (15 mm)	21000040
3. Mounting plate	7033572
4. Filter	7123574
5. Flow regulators are available from Triton at the following ratings:	
(3 Ltr/min)	22010310
(4 Ltr/min)	22011740
(5 Ltr/min)	22011750
(6 Ltr/min)	22011760
(7 Ltr/min) Originally supplied	22011610
(8 Ltr/min)	22011280
6. Seal	7053573

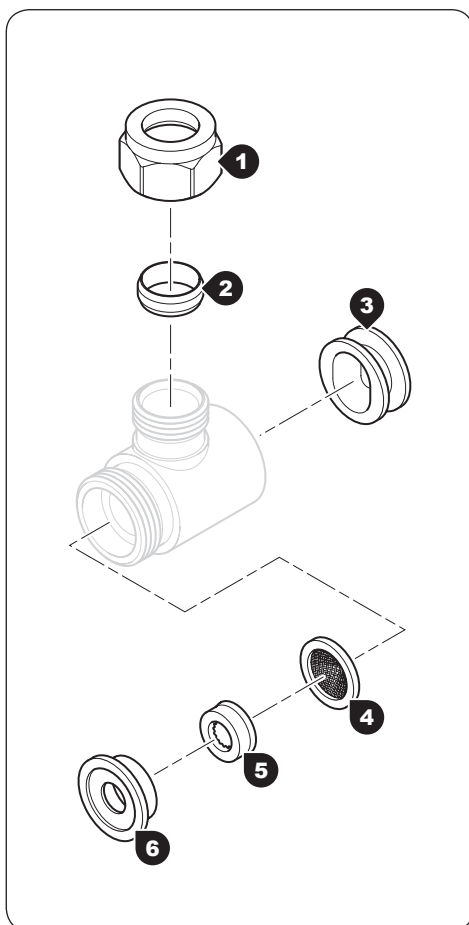
TRITON STANDARD GUARANTEE

Triton Showers guarantee this product against defects arising from faulty workmanship or materials for a period of one year for domestic use only, from the date of purchase, provided that it has been installed by a competent person in full accordance with the fitting instructions.

Any part found to be defective during this guarantee period we undertake to repair or replace at our option without charge so long as it has been properly maintained and operated in accordance with the operating instructions, and has not been subject to misuse or damage.

This product must not be taken apart, modified or repaired except by a person authorised by Triton.

This guarantee applies only to products installed within the United Kingdom and does not apply to products used commercially. This guarantee does not affect your statutory rights.



Customer Service: ☎ 0844 980 0750

Trade Installer Hotline: ☎ 0844 980 0730

Fax: 0844 980 0744

www.tritonshowers.co.uk

E-mail: serviceenquiries@tritonshowers.co.uk

Triton Showers
Triton Road
Nuneaton
Warwickshire CV11 4NR

Triton is a division of Norcross Group (Holdings) Limited