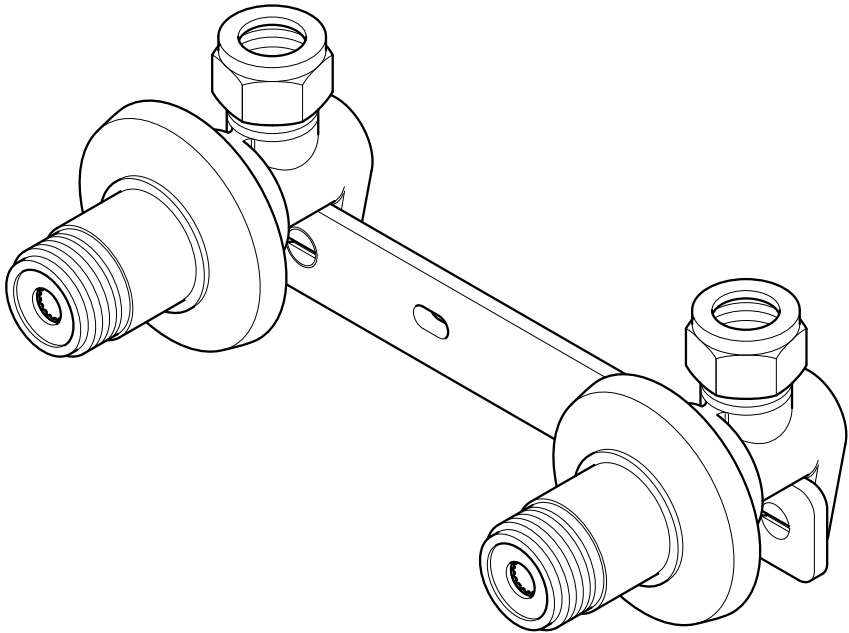


FITTING BRACKET

For Bar Mixers & Bath Shower Mixers



Installation Instructions

INSTALLERS PLEASE NOTE THESE INSTRUCTIONS ARE TO BE LEFT WITH THE USER

2180388G - January 2017

CONTENTS

Page

Introduction/Safety warnings

Main components	1
Installation.....	2-3
Dimensions.....	4
Spare parts	5
Guarantee, etc.....	rear cover

INTRODUCTION

This guide contains the fitting instructions for your shower mixer bracket.

The bracket has been designed for use with Triton's range of bar mixers and bath shower mixers.

Please read the instructions carefully. Read through the whole of this guide before beginning your installation.

The bracket installation must be carried out by a suitably competent person and in the sequence of the instruction book.

Care taken during the installation will provide trouble free operation from your bracket.

PLEASE NOTE: *Only basic installation options have been listed. All other installation options are beyond the scope of this guide.*

SAFETY WARNINGS

- a.** Layout and sizing of pipework must be such that when other services are used, pressures at the mixer control inlets do not fall below the recommended minimum.
- b. DO NOT** choose a position where the bath shower mixer could become frozen.
- c. DO NOT** connect to any form of tap or fitting not recommended by the manufacturer.
- d.** Conveniently situated service valves in each inlet supply **MUST** be fitted as an independent method of isolating the bracket should maintenance or servicing be necessary.

Refer to your mixer installation guide for further information.

Replacement parts can be ordered from Triton Customer Service.

To check the product suitability for commercial and multiple installations, please contact Triton's specification advisory service before installation.

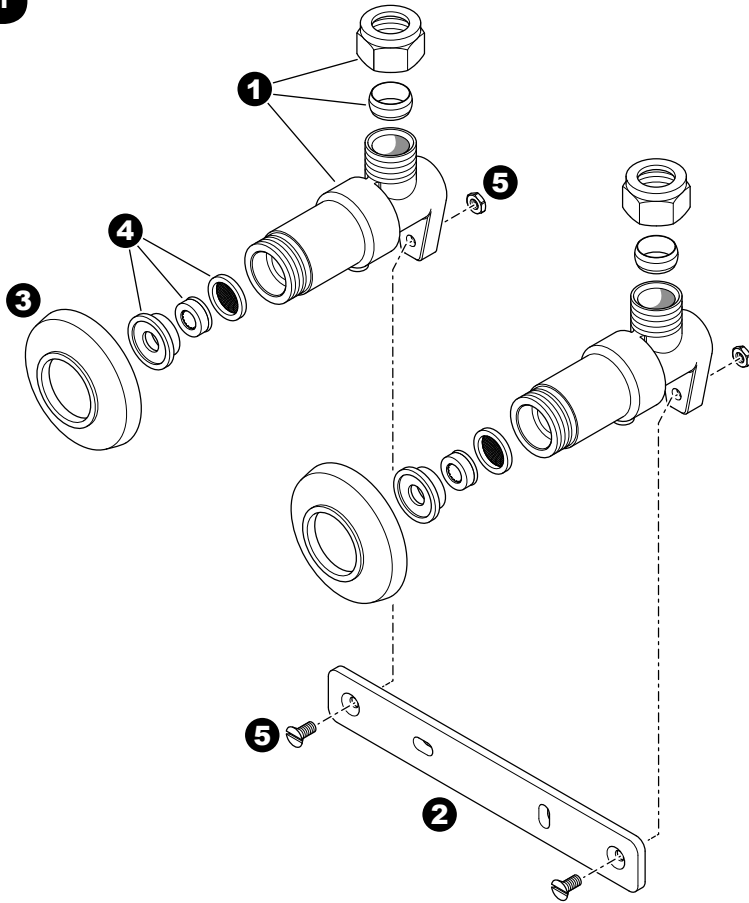
Telephone: 024 7637 2222

Facsimile: 024 7632 4504

E mail: technical@tritonshowers.co.uk

MAIN COMPONENTS

Fig.1



- 1.** Elbow with compression fittings (x2)
- 2.** Mounting plate
- 3.** Cover trims (x2)
- 4.** Filter, flow regulator and seal (x2)
- 5.** Nut and bolt (x2)

All dimensions listed in this fitting book regarding the product and installation are approximate.

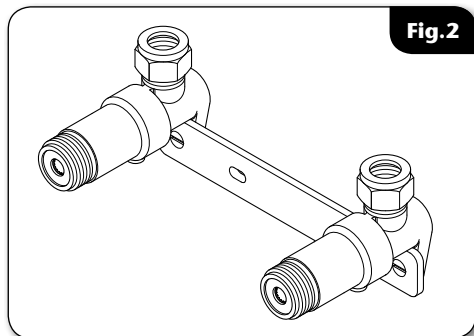


Fig. 2

INSTALLATION

Screw the elbows onto the mounting plate (**fig.2**). The assembled unit should **ONLY** be used in a horizontal orientation.

DO NOT use jointing compounds on any pipe fittings for the installation.

The allowance for varying thickness of tiles (up to 10mm) is accommodated by the cover trim movement over the bracket.

The following are typical thicknesses and are given as a guide only:

Tile.....	6 - 10mm
Adhesive	2 - 3mm
Plaster finish.....	2 - 3mm
Plasterboard.....	9.5 - 12.5mm

Maximum tile thickness is 10mm

- When installing into a stud partition or other hollow wall structure, the installer **may need to build rear supports or other options for fitting the bracket**. Such options are beyond the scope of this guide.
- When fitting the bracket **make sure there is an available building-in depth of at least 40mm from the tile face (fig.3)**. This should be measured from the face of the wall to which the bracket is screwed.

NOTE: When determining the building-in depth, consideration should be given to the length of elbow that is to show beyond the trim (the trim depth is approximately 12mm) (**fig.3**).

Decide on the shower position and then determine whether the hot and cold supplies will enter the bracket from the **top** (falling), **bottom** (rising), or **rear**.

NOTE: For rear entry supplies it is advisable to have the pipework **rising or falling from the elbows before routing to the rear (fig.4)**.

- Mark the route of the incoming pipework.
- Offer the bracket up to the wall and mark out the required hole outline. Remove the plaster and brickwork (or plasterboard) to the depth required and chase out additional areas of the wall to allow for the incoming pipework.

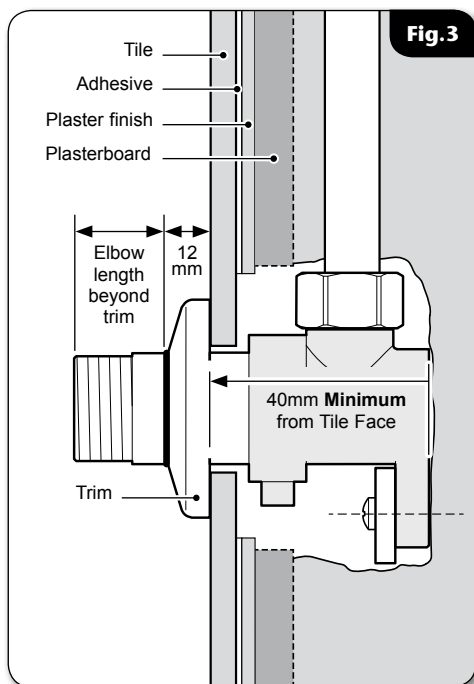


Fig. 3

- Again, offer the bracket to the wall. **Make sure the inlet elbows are orientated the correct way.**
- Centralise and mark the two mounting holes.
- Remove the bracket and drill and plug the wall.
- Screw the bracket to the wall.

NOTE: *The final separation between pipe centres needs to be approximately 150mm. The bracket has minimal adjustment for final positioning.*

- Mark off the length of the pipework intended to enter the bracket fittings. Remove the bracket and cut the pipes to length.

IMPORTANT: *Leave enough free play in the pipework to allow withdrawal from the compression fittings.*

DO NOT secure the incoming pipes within one metre of the bracket.

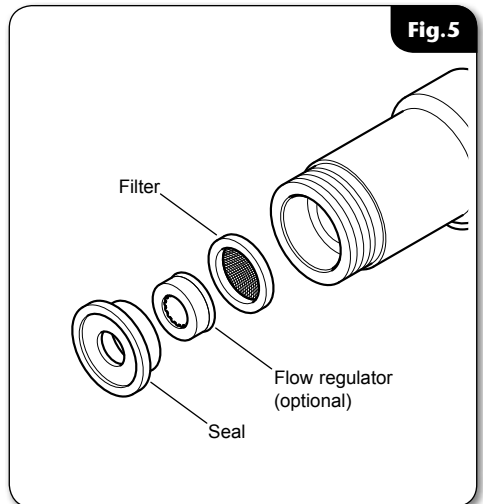
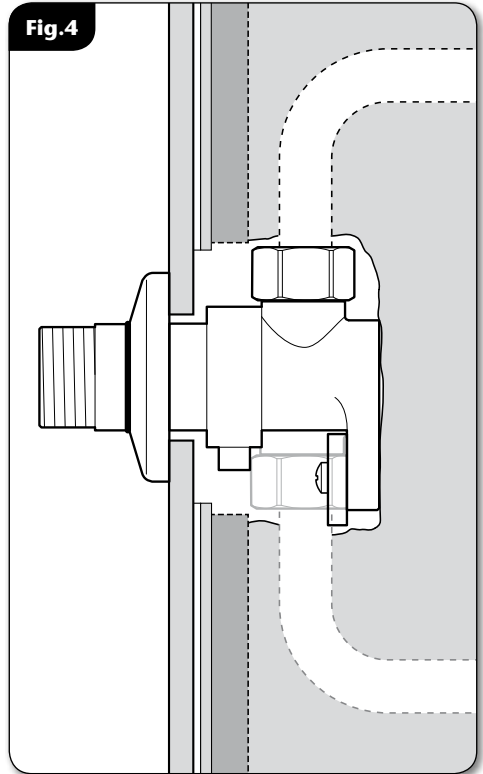
It is preferable to flush the pipework to clear the system of debris to check for pipework leaks **before final installation of the bracket and elbow assembly.**

- Refit the bracket to the wall and connect to the pipework. Tighten the compression fittings on the elbows. Test for leaks and remedy if necessary.
- Make good the incoming pipe channelling and area around the bracket outlets. Plaster or tile up to the outlets.

NOTE: *Any tiling should be accurately cut to match the outlets. The use of a suitable sealant is also recommended to stop water ingress into the wall.*

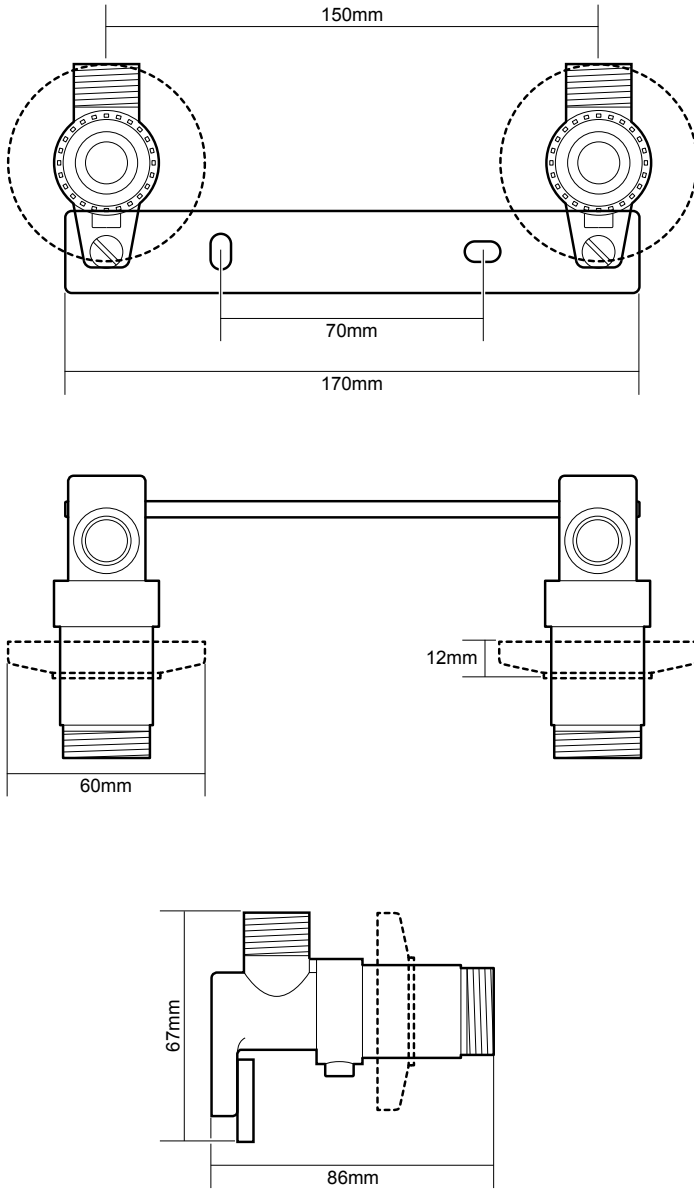
- Slide the cover trims over the outlets and ensure that they sit flush against the wall. The use of a little liquid soap applied to the inner edge of the rubber seal will aid in fitting the cover trims.
- Before fitting the mixer shower or bath shower mixer, ensure that the filter and seal are in place (**fig.5**).

NOTE: *If required, the flow regulators should be fitted to the outlet before installing your bar or bath shower mixer. Refer to your mixer installation guide for further details (**fig.5**).*



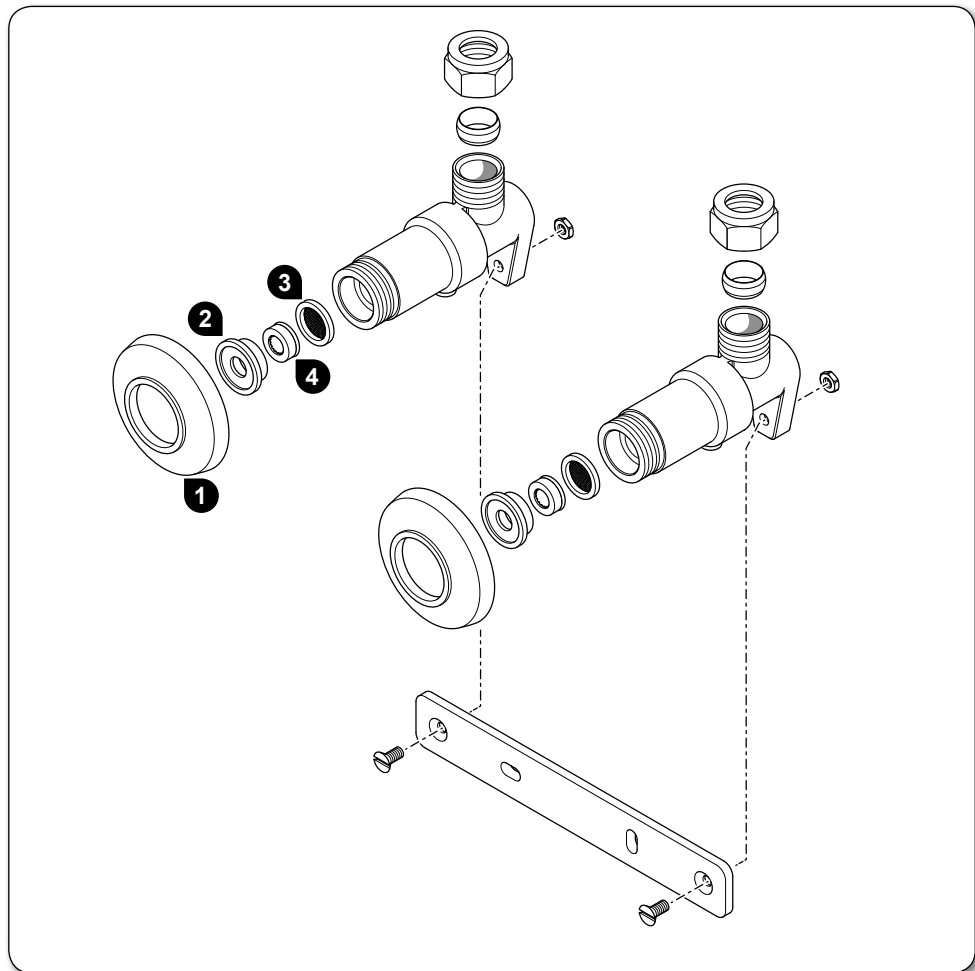
Fitting bracket

DIMENSIONS



All dimensions listed in this fitting book regarding the product and installation are approximate.

SPARE PARTS



Ref.	Description	Part No.	Ref.	Description	Part No.
1.	Cover trim	7033663	4.	Flow regulators are available at the following ratings (7.0 L/M supplied):	
2.	Seal.....	7053573		Flow regulator 3.0 L/M.....	22010310
3.	Filter	7123574		Flow regulator 4.0 L/M.....	22011740
				Flow regulator 5.0 L/M.....	22011750
				Flow regulator 6.0 L/M.....	22011760
				Flow regulator 7.0 L/M.....	22011610
				Flow regulator 8.0 L/M.....	22011280

TRITON STANDARD GUARANTEE

With the exception of accessories, Triton Showers guarantee this product against defects arising from faulty workmanship or materials for a period of **1 year** (for domestic use only) from the date of purchase, provided that it has been installed by a competent person in full accordance with the fitting instructions.

Any part found to be defective during this guarantee period we undertake to repair or replace at our option without charge so long as it has been properly maintained and operated in accordance with the operating instructions, and has not been subject to misuse or damage.

This product must not be taken apart, modified or repaired except by a person authorised by Triton.

This guarantee applies only to products installed within the United Kingdom and does not apply to products used commercially. This guarantee does not affect your statutory rights.

All accessories such as shower heads, hoses and riser rails carry a **1 year** parts only guarantee against manufacturing defects.

Triton Showers
Triton Road
Nuneaton
Warwickshire CV11 4NR

Triton is a division of Norcross Group (Holdings) Limited

Customer Service: ☎ 024 7637 2222

Trade Installer Hotline: ☎ 024 7637 8344

Fax: 024 7632 4504

www.tritonshowers.co.uk

E-mail: serviceenquiries@tritonshowers.co.uk

TRITON reserve the right to change product specification without prior notice. E&OE. © TRITON SHOWERS 201

For the latest Terms & Conditions, please see: www.tritonshowers.co.uk