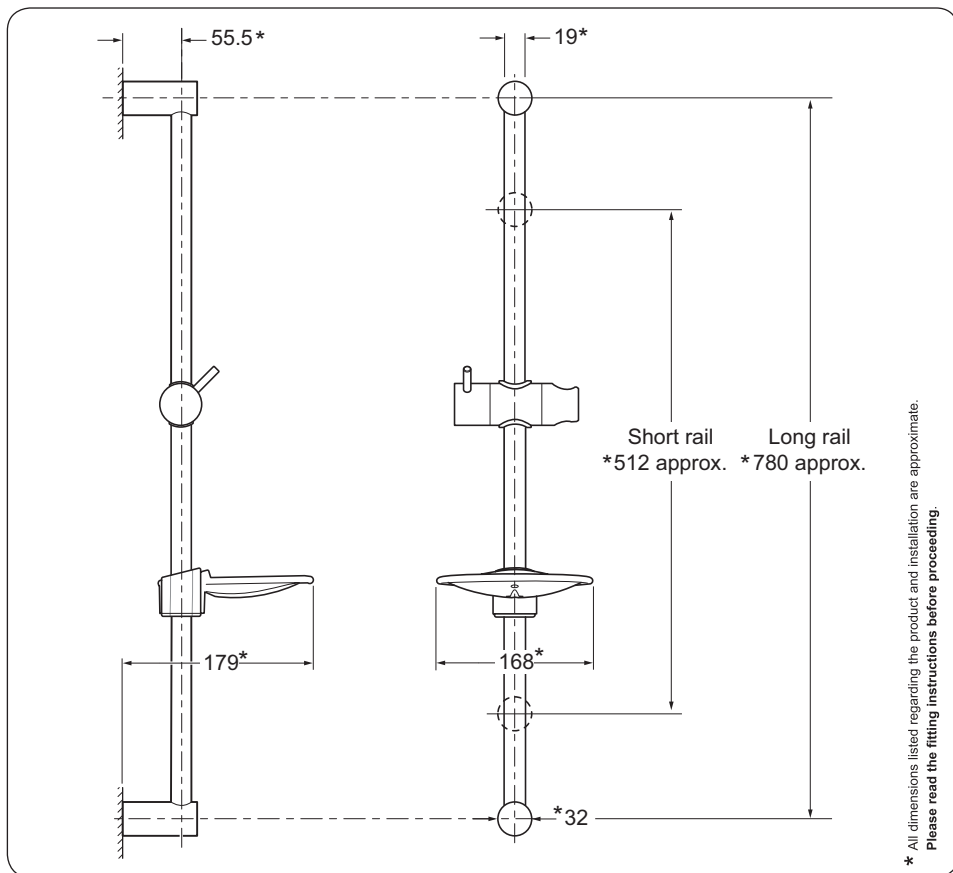


VENUS

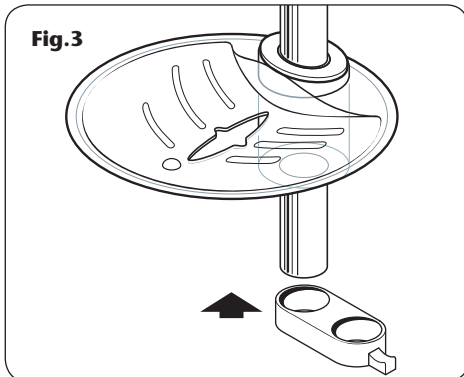
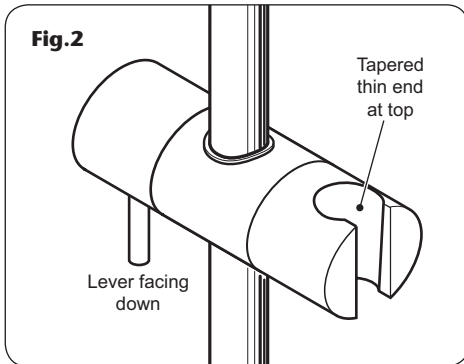
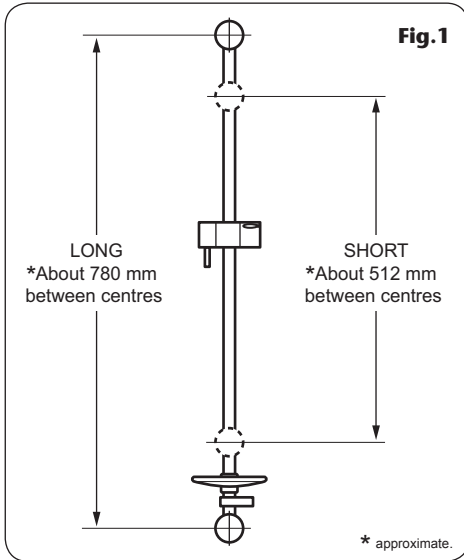
Riser rail assembly



Installation Instructions

INSTALLERS PLEASE NOTE THESE INSTRUCTIONS ARE TO BE LEFT WITH THE USER

VENUS RISER RAIL ASSEMBLY



WARNING!

Check there are no hidden cables or pipes before drilling holes for wall plugs. Use great care when using power tools near water. The use of a residual current device (RCD) is recommended.

Decide the position for the rail on the wall within the shower area. Proceed as follows:

Mark the centre hole position for the top and bottom mounting plates (**fig.1**) then drill and plug the wall. (An appropriate drill bit should be used. If the wall is brick, plasterboard or a soft building block, appropriate wall plugs and screws should be fitted).

Screw the mounting plates to the wall.

Note: That the holes are elongated to allow for a small amount of adjustment.

Slide the showerhead holder onto the riser rail. For the correct facing of the showerhead holder make sure the lever is facing forwards and that the holes align.

Secure the holder to the rail by turning the lever anti-clockwise. When tight, the lever should face down (**fig.2**)

Slide the soap dish and gel hanger onto the riser rail, below the showerhead holder (**fig.3**).

Fit the upper bracket onto the riser rail and align the retaining screw holes. Secure the bracket to the rail (**fig.4**). Repeat this process for the lower bracket.

Position the riser rail assembly onto the mounting plates. Using a suitable Allen key, secure the rail to the wall by tightening the grub screw in the base of each bracket (**fig.5**)

VENUS RISER RAIL ASSEMBLY

FITTING THE HOSE AND SHOWERHEAD

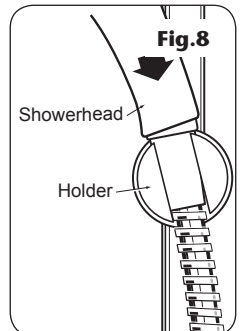
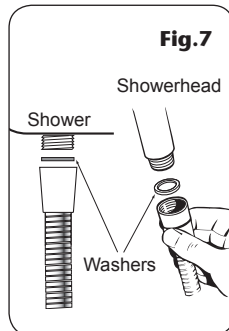
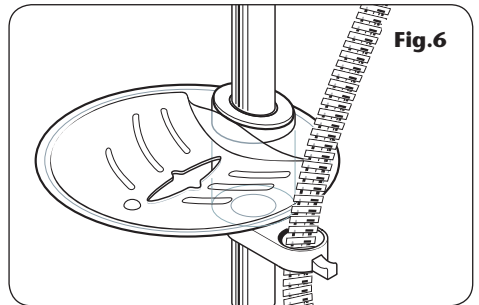
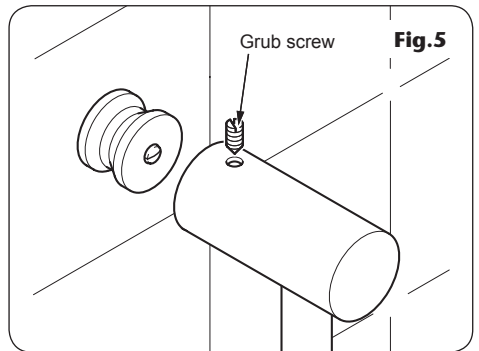
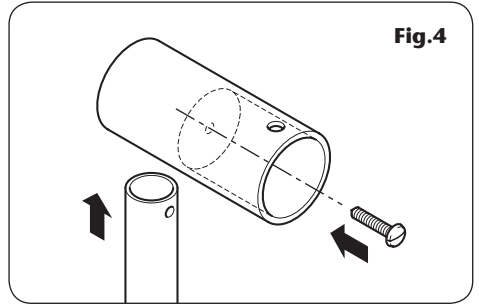
Feed the flexible hose (**fig.6**) through the retaining ring (Water Regulations).

Screw the flexible hose to the shower outlet and showerhead, making sure the supplied washers are in place at both ends of the flexible hose (**fig.7**).

Place the showerhead into the holder and check that it fits correctly (**fig.8**).

Note: The holder is slightly tapered and the showerhead and hose will only fit from one direction.

IMPORTANT: It is the conical end of the hose which grips into the holder. The showerhead will not fit in the holder without the hose attached.

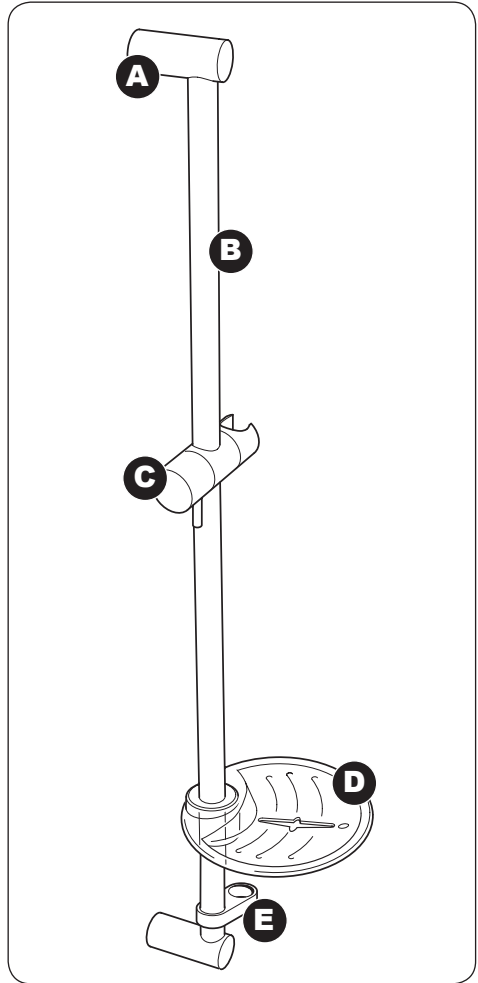


SPARE PARTS

Ref. Description	Spares No.
- Kit (without riser rail)	88900005
A Bracket	83309500
B Riser rail – 800mm chrome	88800005
Riser rail – 530mm chrome	88800010
C Showerhead holder	83309490
D Soap dish	83308370
E Hose retaining ring	83308380

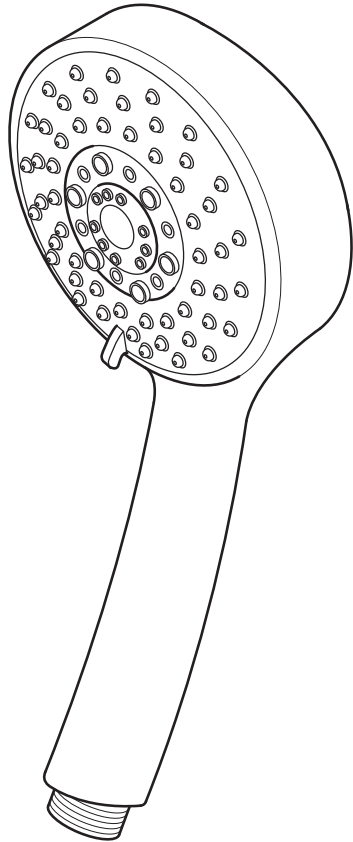
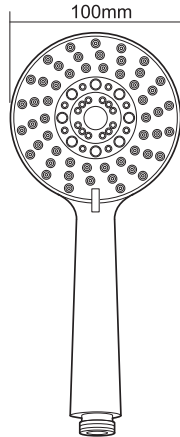
Flexible hoses available in the following sizes:

- 1.00 m in white, chrome and gold
- 1.25 m in white, chrome and gold
- 1.75 m in chrome only

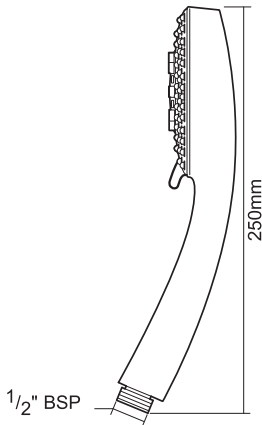


Please refer to shower installation and operating instructions for service details. E&OA.

LAURA
chrome shower head
(five position)



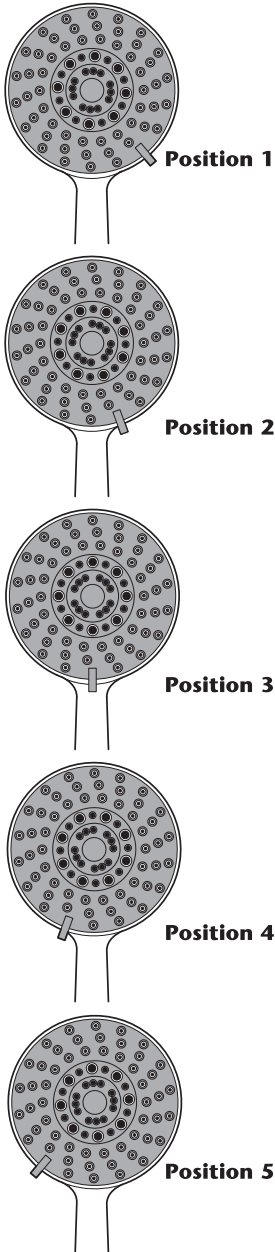
DIMENSIONS ARE APPROXIMATE



INSTALLERS PLEASE NOTE THESE INSTRUCTIONS ARE TO BE LEFT WITH THE USER

LAURA chrome shower head (five position)

Fig. 1



IMPORTANT: This showerhead is **NOT** suitable for use on electric showers.

INSTALLATION

Before installing the shower head, flush the pipework through to remove any debris that may be in the system.

The showerhead has five spray positions. The position settings are shown in **(fig.1)**.

CLEANING

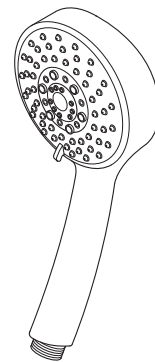
Triton recommends that all products are cleaned using warm, soapy water.

Do not use abrasive or aggressive chemical cleaning products as this may affect the product surface and finish.

Note: The showerhead can be cleaned quickly by simply rubbing your fingers over the faceplate.

IT IS IMPORTANT TO KEEP THE SHOWERHEAD CLEAN TO MAINTAIN THE PERFORMANCE OF THE SHOWER. The hardness of the water will determine the frequency of cleaning. For example, if the shower is used every day in a very hard water area, it may be necessary to clean the showerhead on a weekly basis.

Note: The shower head is not designed to be disassembled.



SPARES

Ref.	Description	Part No.
—	Complete assembly only	88500041

Please refer to shower installation and operating instructions for service details. E&OA.