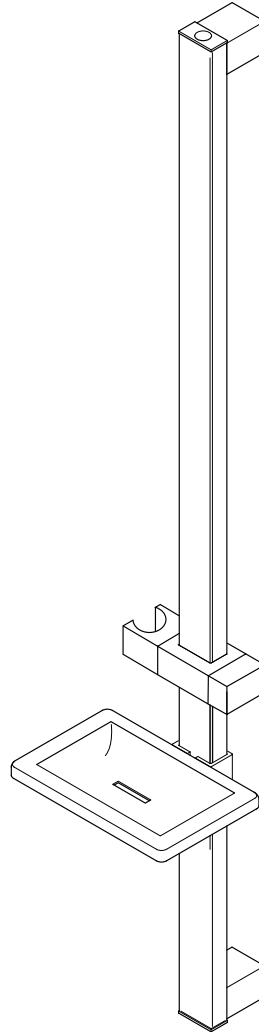


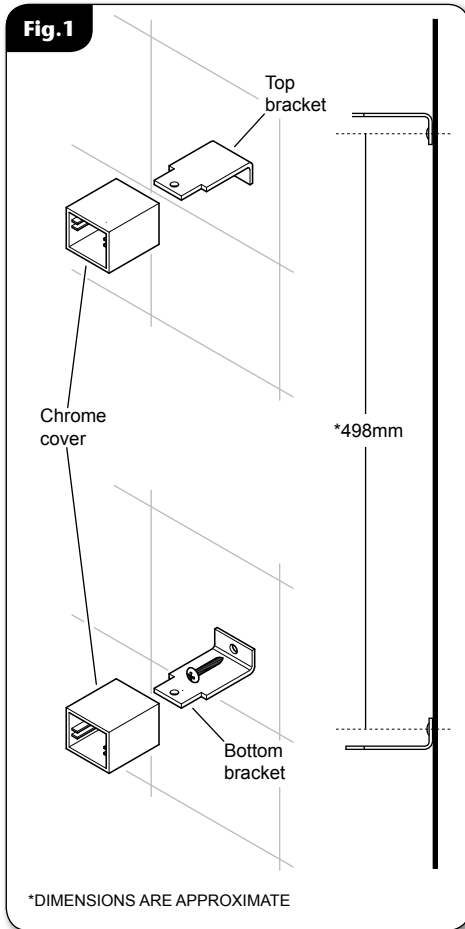
**CALLUM**  
*chrome riser*  
*rail assembly*



All dimensions listed regarding the product and installation are approximate.  
Please read the fitting instructions before proceeding.

INSTALLERS PLEASE NOTE THESE INSTRUCTIONS ARE TO BE LEFT WITH THE USER

## FITTING THE RISER RAIL ASSEMBLY



### WARNING!

**Check there are no hidden cables or pipes before drilling holes for wall plugs. Use great care when using power tools near water. The use of a residual current device (RCD) is recommended.**

Decide the position for the rail on the wall within the shower area. Proceed as follows:

**(fig. 1)**

- Offer the bottom bracket to the wall.
- Position the bracket and mark the centre hole. Remove the bracket then drill and plug the wall. *(An appropriate drill bit should be used. If the wall is brick, plasterboard or a soft building block, appropriate wall plugs and screws should be fitted).*
- Replace the bracket to the wall and secure in place.

**Note:** The locating hole is elongated to allow for some adjustment.

- Measure 498mm (approximately) from the centre of the bottom bracket and drill the hole for the top bracket. Fix the bracket to the wall and then fit the two chrome covers making sure that are the correct way up and cover the bracket and screw.

**(fig. 2)**

**Note:** The holder is slightly tapered see fig.2a and the showerhead and hose will only fit from one direction, please check before assembly. It is the conical end of the hose which grips into the holder. The position of the shower head can be altered as shown in Fig.2b.

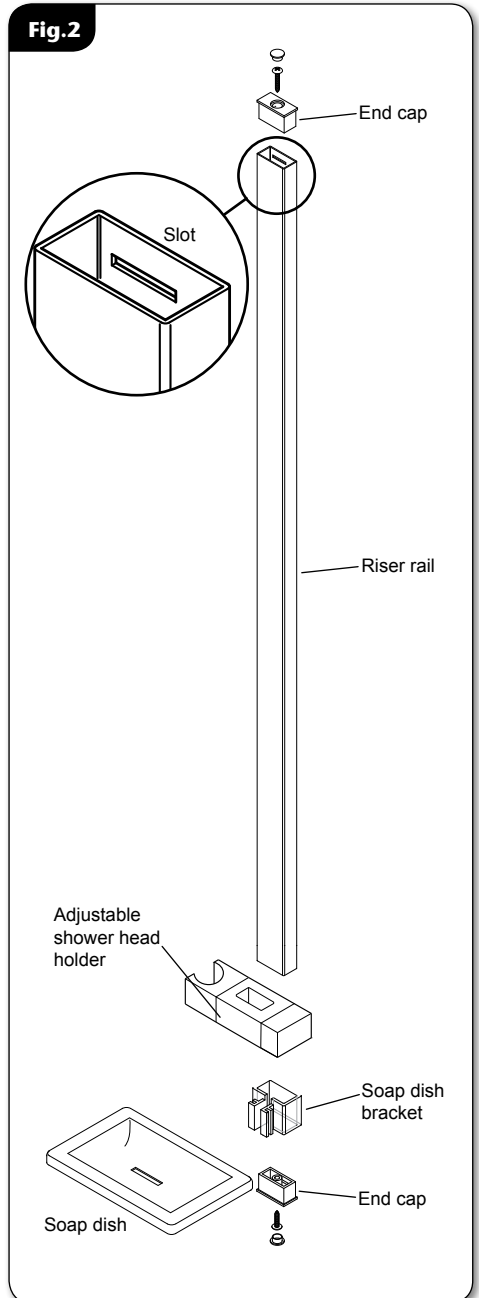
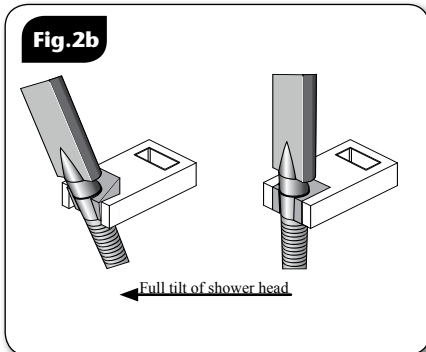
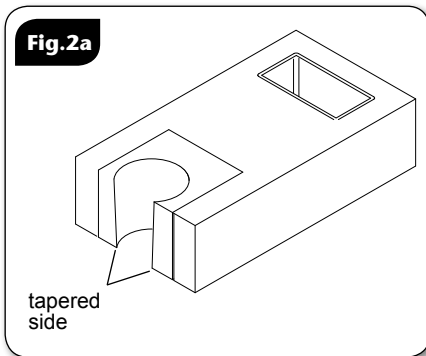
## FITTING THE RISER RAIL ASSEMBLY

- Slide the Adjustable shower head holder and the Soap dish bracket onto the bottom of the Riser rail. The Shower head holder is operated by pressing the chromed button in on the rear of it.

**Note:** Make sure that the slots in the riser rail are facing to the back when putting these items onto the riser rail.

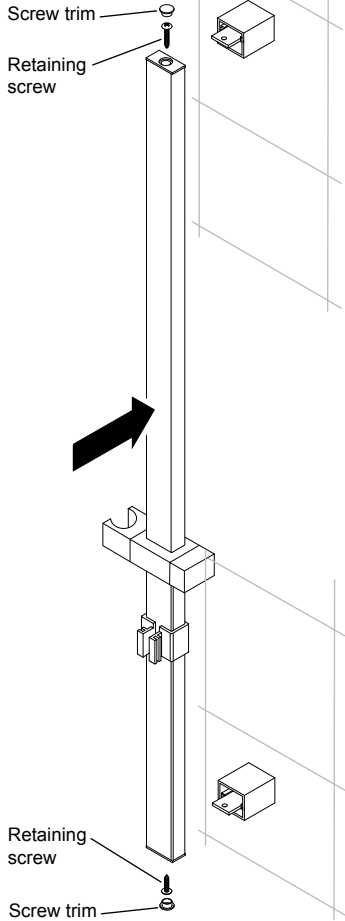
- Once these have been attached press the two rectangular End caps into the top and bottom of the Riser rail, making sure the slots in them match up with the Riser rail slots.

The handset bracket can be adjusted to a number of positions (**fig.2b**).



## FITTING THE RISER RAIL ASSEMBLY

**Fig.3**



**(fig.3)**

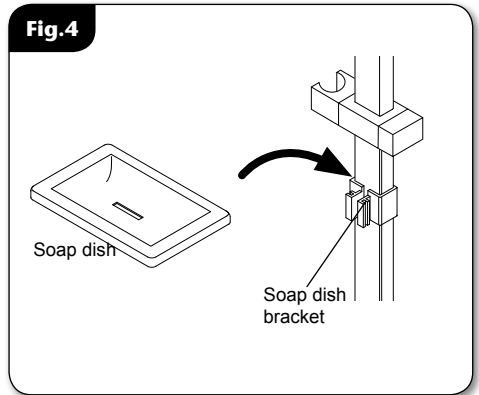
- Once assembled, line up the slots on the rear of the Riser rail and locate them onto the top and bottom brackets.
- Once in position fit the Retaining screws top and bottom and the Screw trims.

## FITTING THE RISER RAIL ASSEMBLY

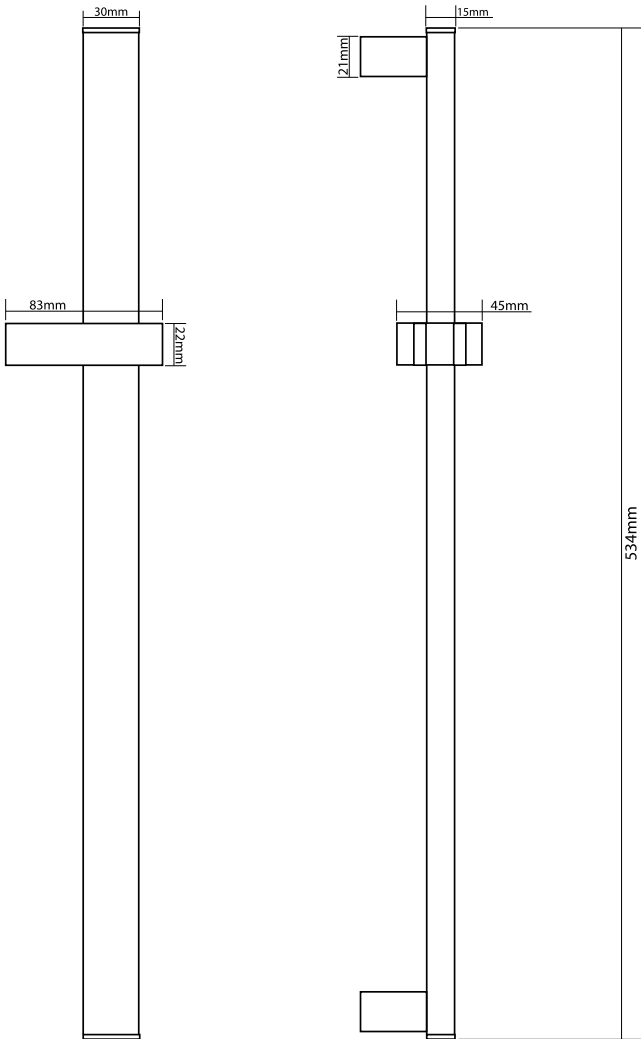
(fig.4)

- Slide the soap dish onto the Soap dish bracket and click into place.

**IMPORTANT: This riser rail assembly is NOT supplied with a hose retainer. Water Regulations require the fitting of a double check valve or similar device, in the supply pipework to prevent backflow.**



# DIMENSIONS



DIMENSIONS ARE APPROXIMATE

## SPARE PARTS

### Ref. Description

### Part Number

(Kit excluding riser rail)

KIT CALLUM ALL CHR - M50150 88900018

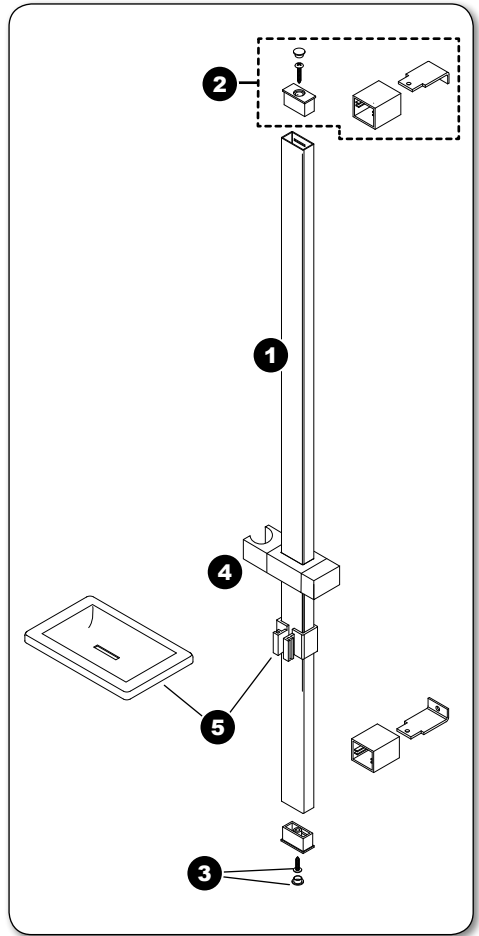
1. R/R 15X30X530 BRS/CH - M50150 88800012

2. Bracket assembly M50150 - X2 83313210

3. Trim M50150 - X2 83313220

4. Showerhead holder M50150 83313230

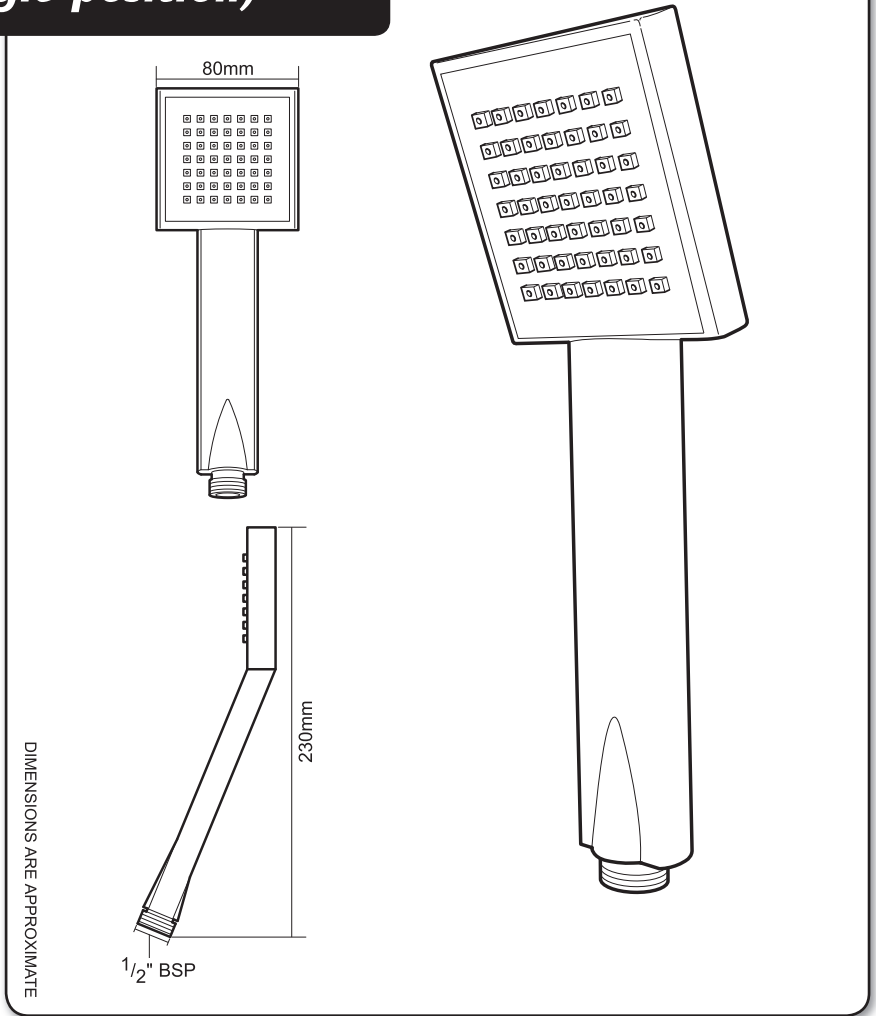
5. Soap dish M50150 83313240



**Please refer to shower installation and operating instructions for service details. E&OA.**



# **KATE** shower head (single position)



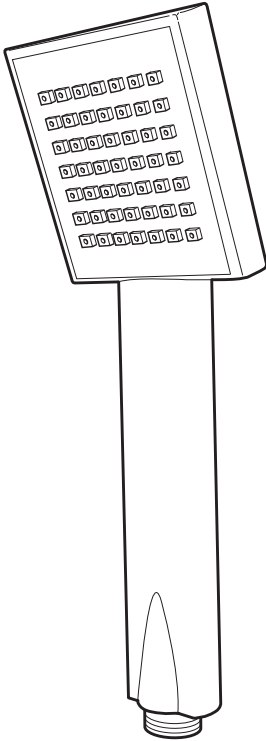
INSTALLERS PLEASE NOTE THESE INSTRUCTIONS ARE TO BE LEFT WITH THE USER

## KATE shower head (single position)

### INSTALLATION

Before installing the shower head, flush the pipework through to remove any debris that may be in the system.

The showerhead has a single position spray pattern.



### CLEANING

Triton recommends that all products are cleaned using warm, soapy water.

Do not use abrasive or aggressive chemical cleaning products as this may affect the product surface and finish and invalidate your guarantee.

**Note:** The showerhead can be cleaned quickly by simply rubbing your fingers over the faceplate.

Before cleaning, turn off the unit at the mains supply to avoid the shower being accidentally switched on.

IT IS IMPORTANT TO KEEP THE SHOWERHEAD CLEAN TO MAINTAIN THE PERFORMANCE OF THE SHOWER. The hardness of the water will determine the frequency of cleaning. For example, if the shower is used every day in a very hard water area, it may be necessary to clean the showerhead on a weekly basis.

**Note:** The shower head is not designed to be disassembled.

### SPARES

#### Ref. Description

#### Part No.

- | Ref. Description               | Part No.          |
|--------------------------------|-------------------|
| 1. Complete assembly only..... | 88500020 (Chrome) |
| 2. Complete assembly only..... | 88500042 (Black)  |
| 3. Complete assembly only..... | 88500049 (White)  |

Please refer to shower installation and operating instructions for service details. E&OE.