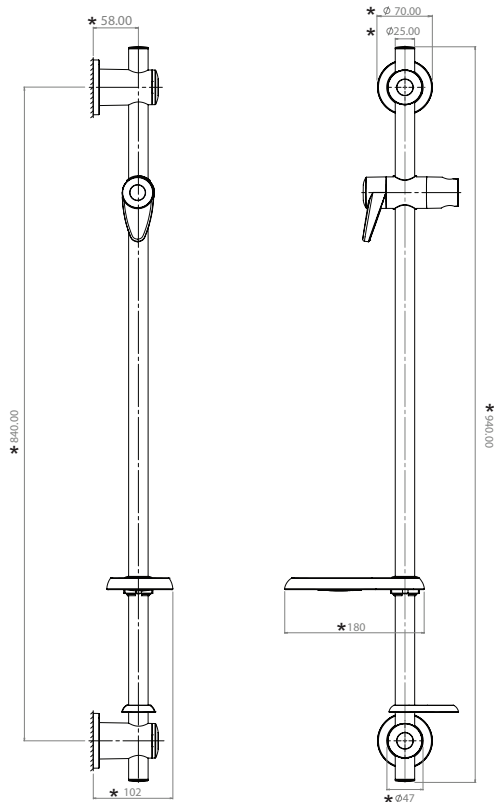


INCLUSIVE GRAB

Riser Rail Kit



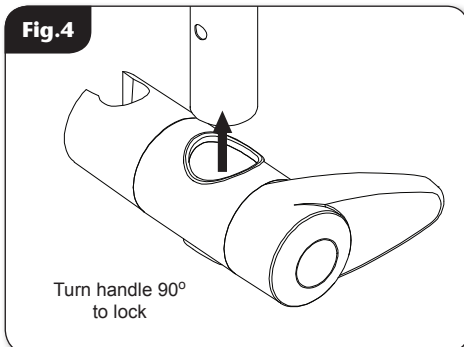
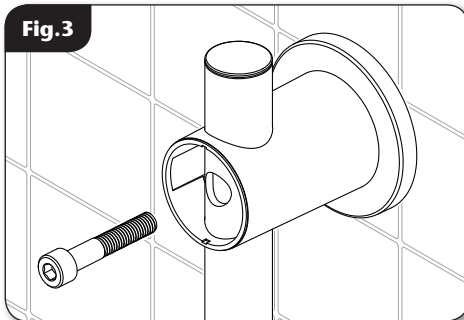
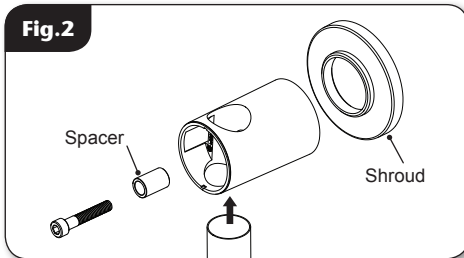
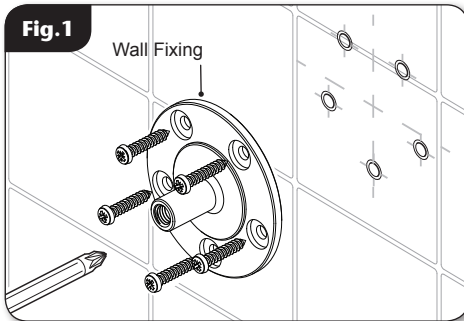
* All dimensions listed regarding the product and installation are approximate.
Please read the fitting instructions before proceeding.

Installation Instructions

INSTALLERS PLEASE NOTE THESE INSTRUCTIONS ARE TO BE LEFT WITH THE USER

2181071A - January 2014

FITTING THE RISER RAIL ASSEMBLY



WARNING!

Check there are no hidden cables or pipes before drilling holes for wall plugs. Use great care when using power tools near water. The use of a residual current device (RCD) is recommended when using power tools.

When installed as instructed this kit can be used as a grab rail supporting up to 150kg. Suitable wall plugs and screws, for the type of wall, must be used to ensure the kit is secured properly to take the required loading.

For studded walls an appropriate wooden batten must be inserted in the wall to fix to. Do not rely on wall fixings through tile and plasterboard only for grab rail support.

Please note that the strength of the material being screwed into will heavily affect the loading strength of the rail.

- Place the riser rail to the wall and use both of the fixing holes to mark the position of the top and bottom wall fixings. Position the wall fixings in place and mark the locations of the holes to be drilled. Remove the wall fixings then drill and plug the wall.
- Replace the wall fixing to the wall and secure in place with 5 screws to ensure equal loading (**Fig.1**).

Note: Screws are not supplied with kit.

- Fit the shroud over the wall fixing and place the top bracket onto the shroud. Insert the spacer, slide the riser rail into the bracket and line up the fixing holes (**fig.2**).

Note: The larger of the two holes in the top and bottom of the riser rail should be facing outwards when the holes are aligned with the fixing hole in the bracket.

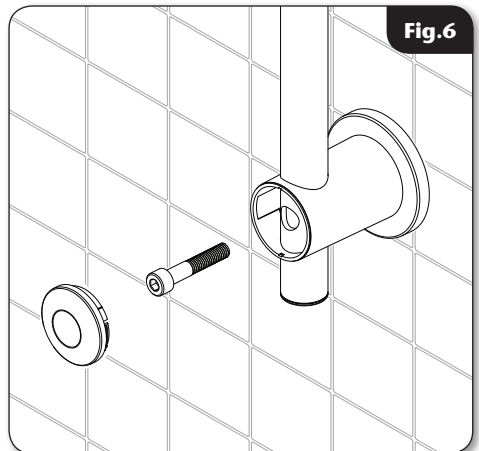
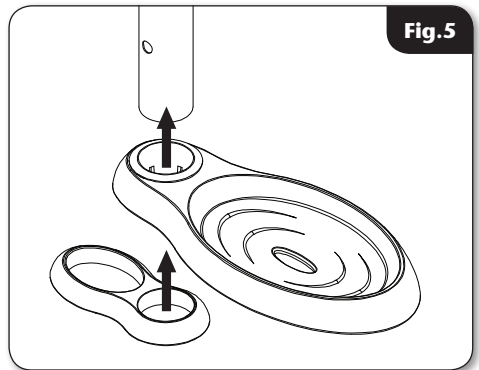
- Use the supplied M8 cap head screw to fix the riser rail and bracket to the wall fixing (**fig.3**).

FITTING THE RISER RAIL ASSEMBLY

- Fit the showerhead holder onto the riser rail. Turn the lever anti-clockwise to release the locking mechanism, then slide the holder onto the rail (**fig.4**). To secure the holder in place, turn the lever clockwise.
- Slide the soapdish and hose retainer onto the bottom of the riser rail, below the holder (**fig.5**).
- Fit the shroud and the bottom bracket, with spacer already inserted, onto the riser rail and screw to the bottom wall fixing.

Note: The screw should pass through the larger hole in the base of the riser rail (fig.6) and come to rest against the inner of the riser rail to stop it from turning within the bracket.

- Fit the end caps onto both brackets. The end caps will only fit one way. Fit the riser rail trims to both ends of the rail.

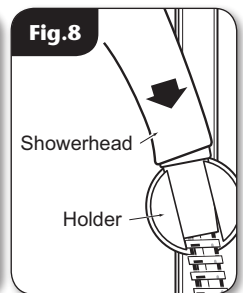
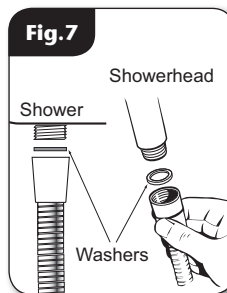


FITTING THE HOSE AND SHOWERHEAD

- Feed the flexible hose through the ring on the hose retainer. This is to comply with Water Regulations.
- Screw the flexible hose to the shower outlet and showerhead, making sure the supplied washers are in place at both ends of the flexible hose (**fig.7**).
- Place the showerhead into the holder and check that it fits correctly (**fig.8**).

Note: The holder is slightly tapered and the showerhead and hose will only fit from one direction.

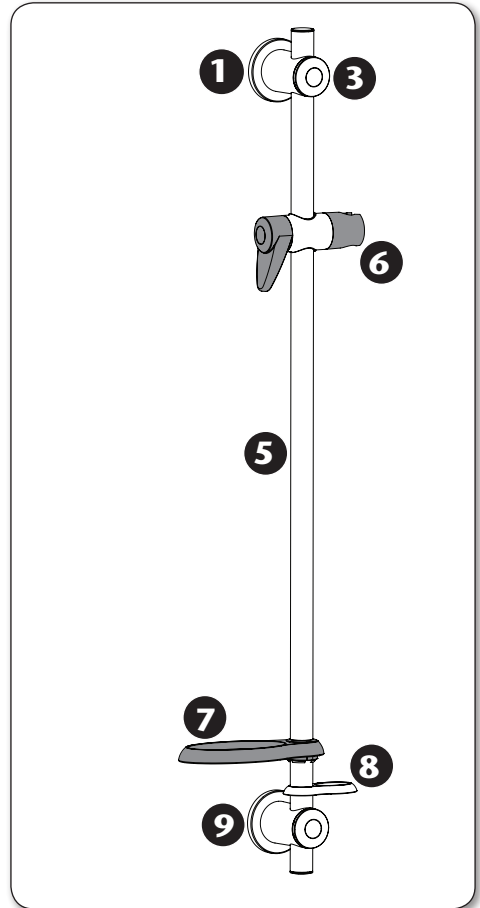
IMPORTANT: It is the conical end of the hose which grips into the holder. The showerhead will not fit in the holder without the hose attached.



SPARE PARTS

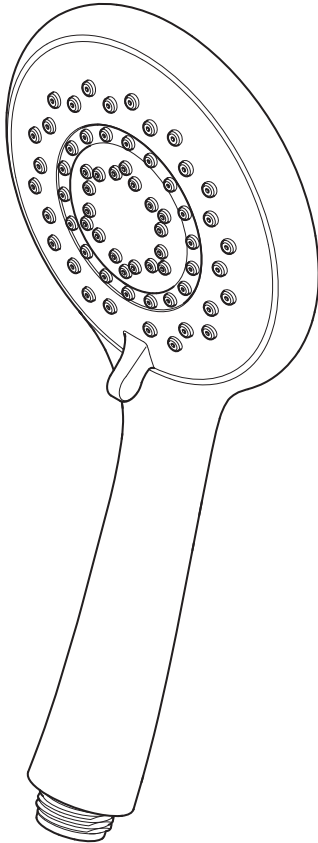
Ref.	Description	Part number
-	Kit - <i>white/grey</i>	88900041
-	Kit - <i>chrome/grey</i>	88900042
1	Bracket Set* - <i>White</i>	83315380
	- Bracket (White)	
	- Cap (White)	
	- <i>Chrome</i>	83315390
	- Bracket (Chrome)	
	- Cap (Chrome)	
2	Wall Fixing Set	83315410
	- Wall Fixing	
	- M8 Cap Head Screw	
	- Spacer	
3	Bracket Cap - <i>white</i>	7054530
	- <i>chrome</i>	7054545
5	Riser Rail – 25 mm - <i>Stainless Steel</i>	88800038
6	S/Head Holder - <i>white/grey</i>	P84200110
	- <i>chrome/grey</i>	P84200120
7	Soap Dish	S86100380
8	Hose Retainer - <i>white</i>	7054532
	- <i>chrome</i>	7054546
9	Shroud	7054542

* Bracket Set for both white and chrome contains 2 of each component.

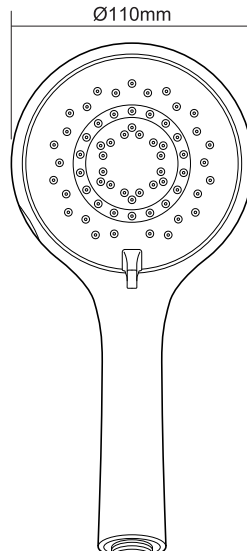
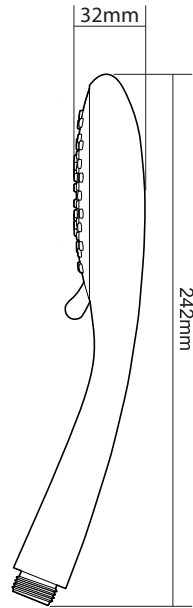


Please refer to shower installation and operating instructions for service details. E&OA.

8000 Series Showerhead

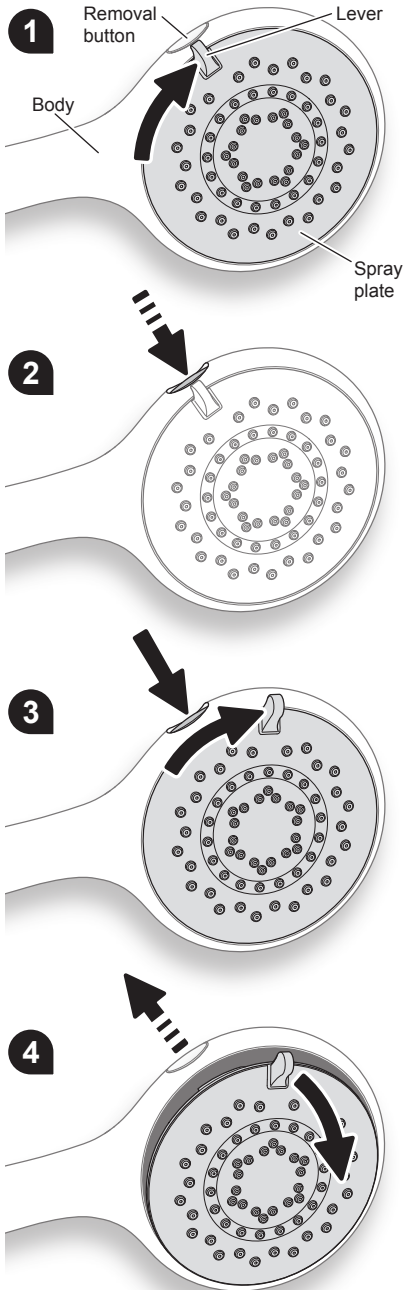


Maintenance Instructions



INSTALLERS PLEASE NOTE THESE INSTRUCTIONS ARE TO BE LEFT WITH THE USER

8000 SERIES SHOWERHEAD



This instruction book covers the operation and cleaning of the showerhead.

SHOWERHEAD SPRAY POSITIONS

Five showerhead patterns are available.

Adjust the spray pattern by turning the lever on the showerhead in either direction until the desired pattern is obtained. These positions are located at 4, 5, 6, 7 and 8 o'clock, when the showerhead is in the vertical position.

REMOVING THE SPRAY PLATE

IMPORTANT: Before cleaning, turn off the unit at the mains supply to avoid the shower being accidentally switched on.

- 1 Rotate the spray plate clockwise until it reaches its 'stop' position facing the removal button.
- 2 Press and hold the removal button in.
- 3 With the removal button held in, rotate the face plate clockwise past the removal button until it stops.
- 4 Release the removal button and gently pull the face plate away from the body using the adjustment lever.

IMPORTANT

Should any difficulty arise when trying to remove the spray plate (image 4) **DO NOT** try to force it out of the body by hand, or by using tools such as a screwdriver. Reset the spray plate to the position shown in image 7 and repeat steps 1-4 as listed above.

DO NOT remove the inner plate (image 5). Removing this, **WILL** invalidate any product warranty.

8000 SERIES SHOWERHEAD

CLEANING

Triton recommends that all products are cleaned using warm, soapy water.

DO NOT use abrasive or aggressive chemical cleaning products as this may affect the product surface and finish and invalidate your guarantee.

NOTE: *The showerhead can be cleaned quickly by simply rubbing your fingers over the spray plate.*

IT IS IMPORTANT TO KEEP THE SHOWERHEAD CLEAN TO MAINTAIN THE PERFORMANCE OF THE SHOWER. The hardness of the water will determine the frequency of cleaning. For example, if the shower is used every day in a very hard water area, it may be necessary to clean the showerhead on a weekly basis.

REPLACING THE SPRAY PLATE

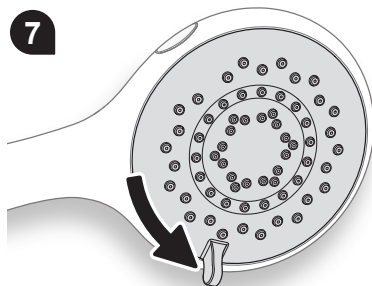
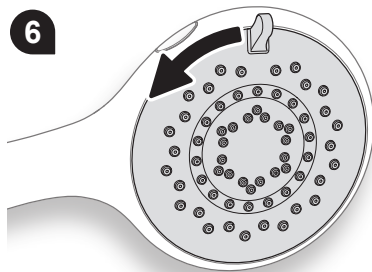
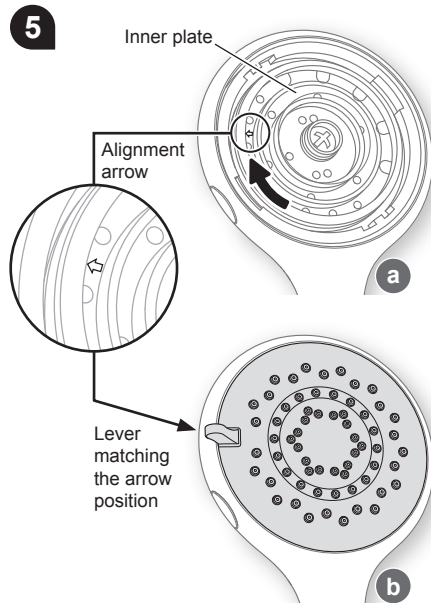
- 5 The spray plate and face plate **MUST** be aligned correctly for reinstallation. To align them correctly, please do the following:
 - a Ensure that the inner plate is turned fully clockwise until it stops. The alignment arrow position is approximately 9 o'clock, when the showerhead is in the vertical position.
 - b The lever **MUST** then be matched up with the arrows position to reinstall the spray plate correctly.

Should any difficulty arise when trying to refit the spray plate **DO NOT** try to force it back into position. Please make sure the arrow and lever positions are correct.

Once in place, the spray plate face should be gently pressed until its edges sit flush with the body.

- 6 Now installed into the body, start to turn the spray plate anti-clockwise.
- 7 To lock the plate back into the mechanism, the spray plate **MUST** be rotated fully anti-clockwise until it stops.

IMPORTANT: *The showerhead should be directed towards waste, and the shower switched on to ensure the spray plate is locked into the mechanism before use.*



SPARE PARTS

Ref. Description **Part number**

1. 5 mode rub clean showerheads

SHOWER HEADS

(mixer showers only)

88500060	WHITE MIXER
88500061	CHROME MIXER
88500068	SATIN MIXER

(electric showers only)

88500062	INCLUSIVE WHT
88500069	ELEC SATIN
88500070	INCLUSIVE CHROME
88500074	ELEC WHITE
88500075	ELEC CHROME

2. Flow Regulator

FLOW REGULATORS

22011740	4 L/MIN
22011750	5 L/MIN
22011760	6 L/MIN
22011610	7 L/MIN
22011280	8 L/MIN

