

HERITAGE®

BATHROOMS

Somersby Tap Range Installation Instructions and User Guide

Models covered:

- TSBC06 3 Hole Basin Mixer
- TSBC073 3 Hole Bath Filler
- TSBC02 5 Hole Bath Shower Mixer

Please keep this booklet for future reference.

Installer: when you have read these instructions please ensure you leave them with the user.

Contents

When you buy a Heritage product, you can be confident that it not only features a beautiful, distinctive, classic design, but that it has also been made to the very highest quality standards. To ensure that it works to its full potential, it needs to be fitted correctly.

These fitting instructions have been created to give you all of the information you need and, if you need any further help, please do not hesitate to give us a call on **0844 701 8503**.

Important Safety Information	02
General Specifications	02
Dimensions	03-04
Installation	05-07
3 Hole Basin Mixer & Bath Filler	05
5 Hole Bath Shower Mixer	06-07
Maintenance	08-09
Troubleshooting	10
Guarantee	11-12
Notes	13-14





Safety Note

- Please read these instructions & retain for future use. All products manufactured & supplied by Heritage are safe, provided they are installed correctly, used correctly, and receive regular maintenance in accordance with these instructions.
- **If you are in any doubt about your ability to install this product safely you must employ the services of an experienced, qualified plumber.**



Before starting any installation project please consider the following:

- Prior to drilling into walls, check there are no hidden electrical wires or cables or water supply pipes with the aid of an electrical detector.
- If you use power tools do not forget:
 - Wear eye protection.
 - Unplug equipment after use.
- This product must not be modified in any way as this will invalidate the guarantee.
- These fittings need to be installed in accordance with and meet the requirements of the Water Supply (Water Fittings) Regulations 1999 and Scottish Byelaws 2004.

General Specifications

Operating pressure range (bar)	Min	Max
3 Hole Basin Mixer	0.3	5.0
3 Hole Bath Filler	0.3	5.0
5 Hole Bath Shower Mixer	1.0	5.0

Maximum static pressure – 10.0 bar

NOTE:- Nominally equal (balanced) inlet supply pressures are recommended for optimum Performance of mixer taps.

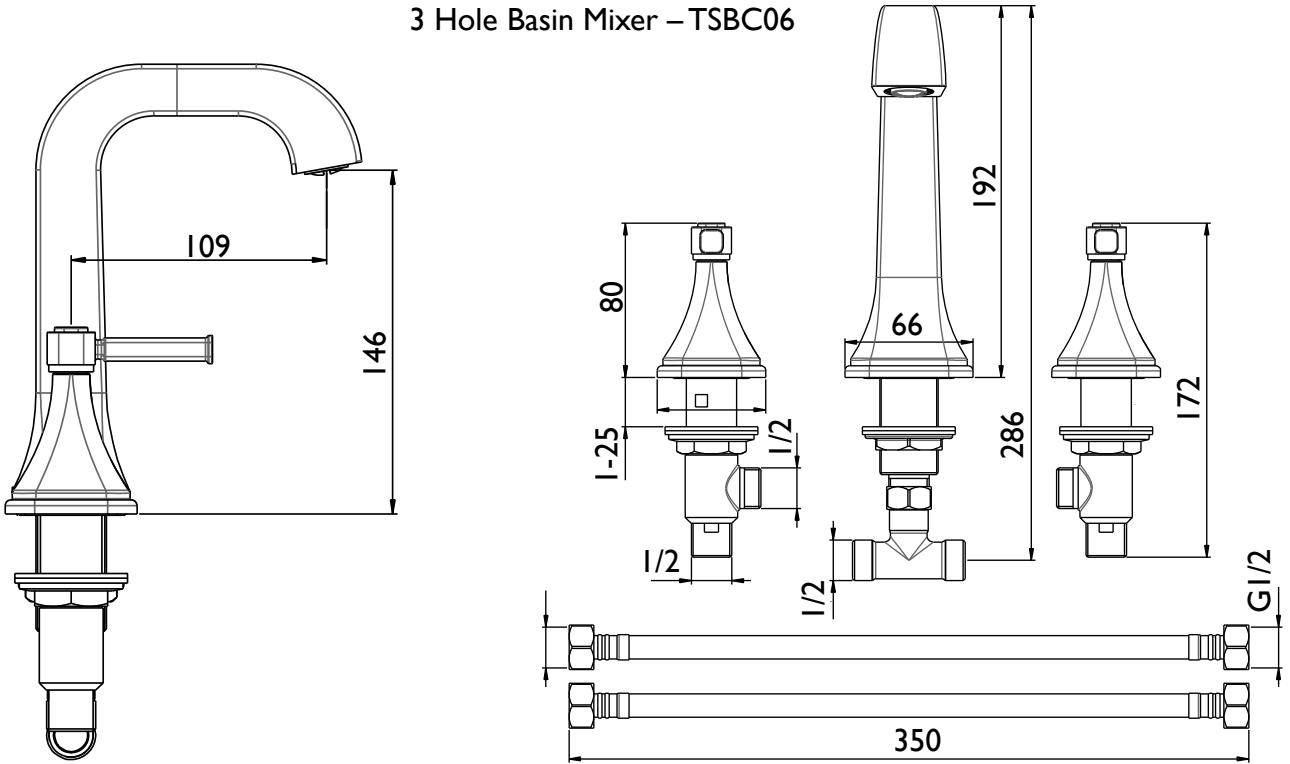
Designed to comply with BS EN 200 for single taps / combination taps for water systems of type 1 and 2 general technical specifications; and to be used within systems designed to BS 6700.

BS 6700 recommends the temperature of stored water should never exceed 65°C. A stored water temperature of 60°C is considered sufficient to meet all nominal requirements and will minimise the build up of lime scale in hard water areas.

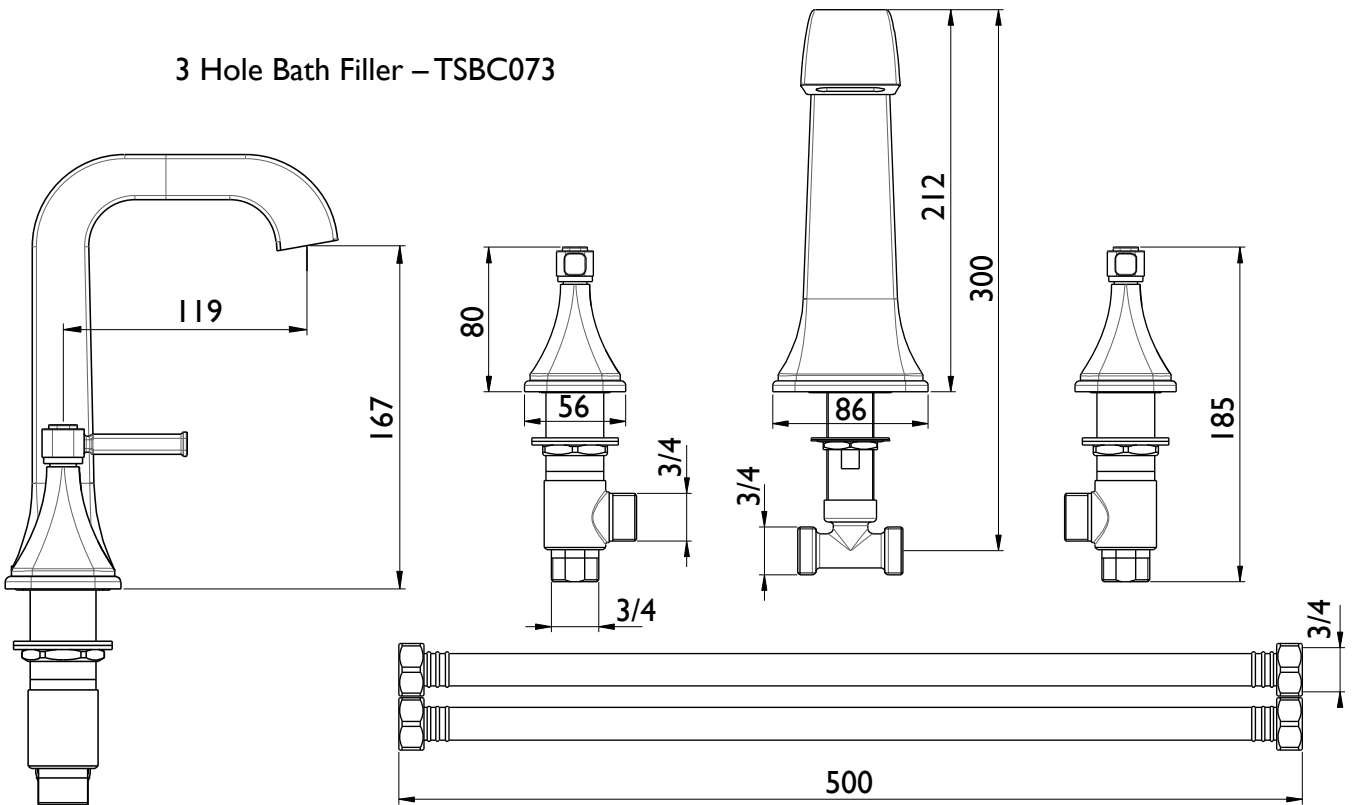


Dimensions

3 Hole Basin Mixer – TSBC06



3 Hole Bath Filler – TSBC073

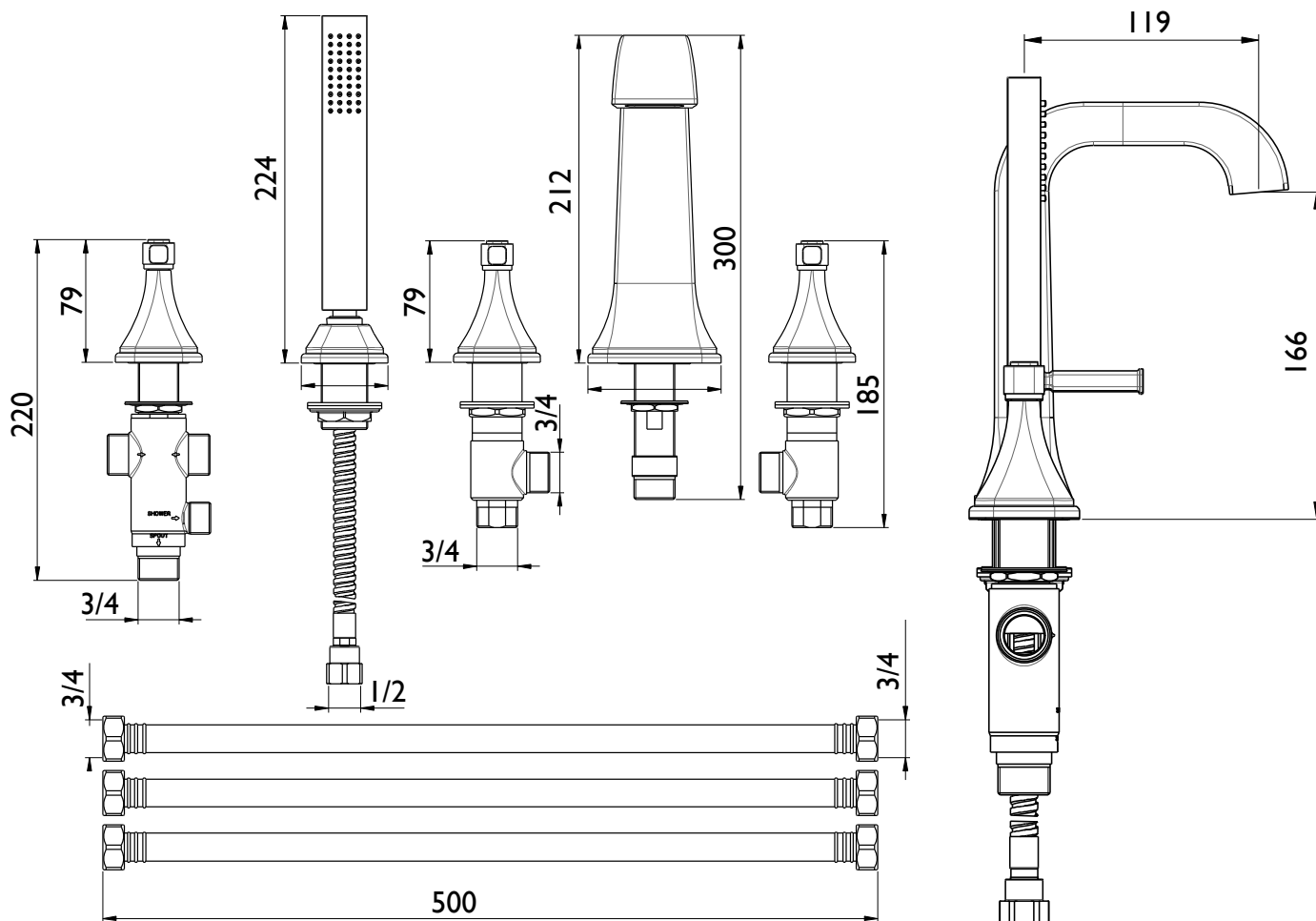


03





Dimensions Cont.

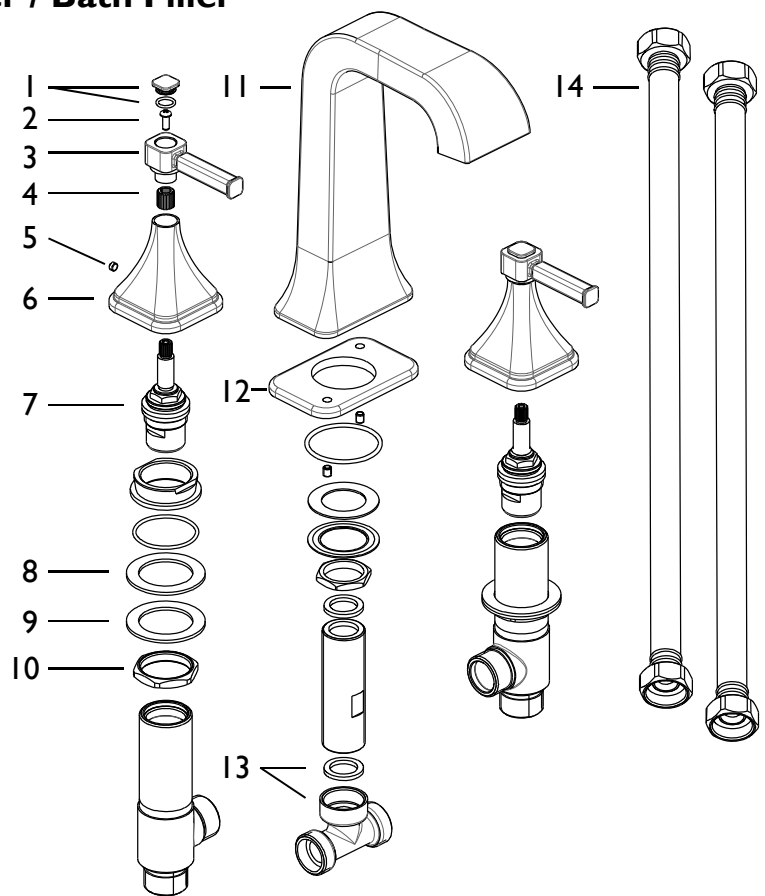


5 Hole Bath Shower Mixer – TSBC02



Installation – 3 Hole Basin Mixer / Bath Filler

1.	Indice	x2
2.	Handle Screw	x2
3.	Lever Handle	x2
4.	Shroud	x2
4.	Spline Adapter	x2
5.	Grub Screw	x2
6.	Side Body	x2
7.	Valve	x2
8.	Rubber Washer	x3
9.	Metal Washer	x3
10.	Backnut	x3
11.	Spout	x1
12.	Plinth	x1
13.	T Piece	x1
14.	Connecting Pipe	x2



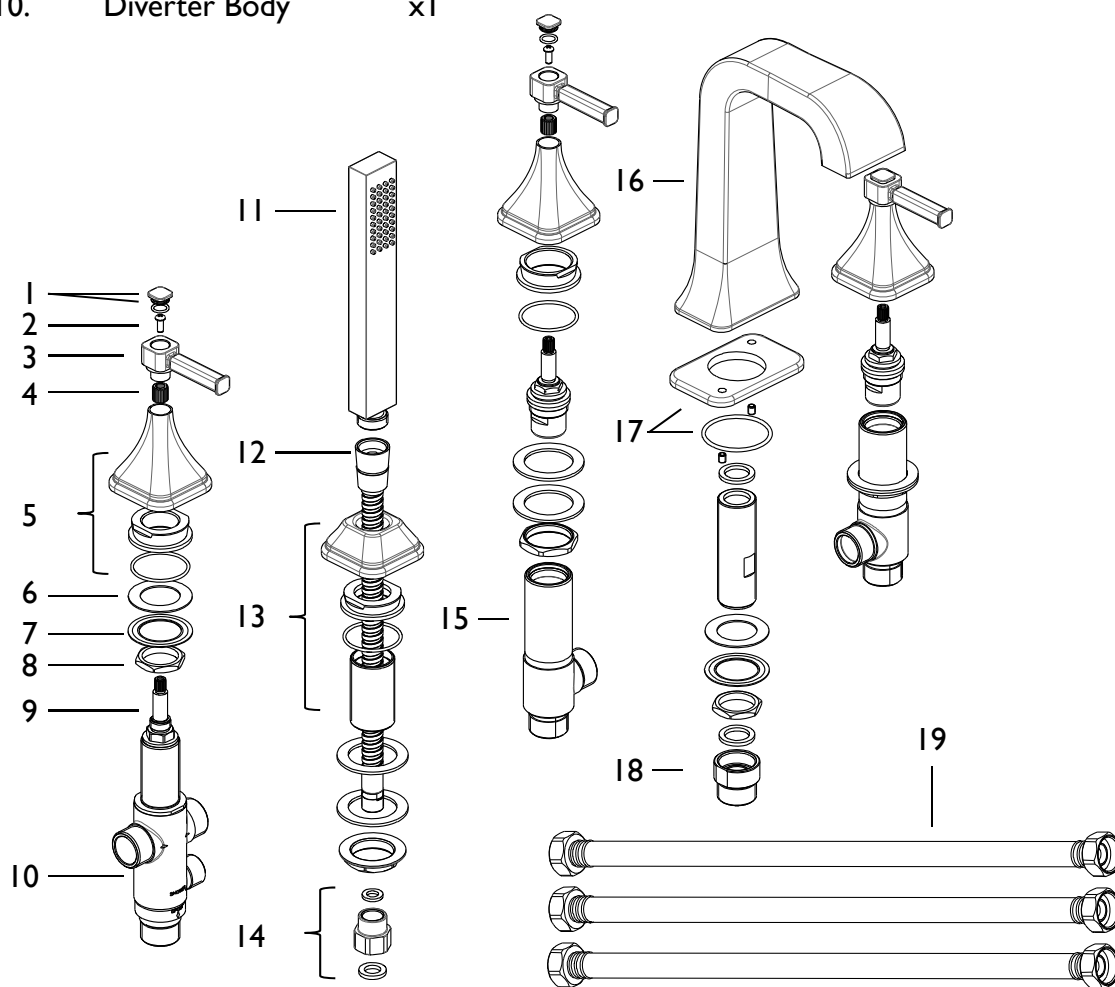
1. Identify all components are present prior to starting installation.
2. Remove the indice (1) and concealed handle screw (2) in order to remove the lever handle (3) and shroud (4).
3. Ensuring that the rubber washer (8), metal washer (9) and backnut (10) are all in place, fit the side body through the underneath of the basin/bath. Reconnect the shroud and handle assembly, then tighten the backnut (10) to secure into place
4. Unscrew the 'T' piece (13), washers and backnut from the thread of the spout (11). Fit the spout to the basin and reconnect the washers, backnut and 'T' piece from the underside of the basin/bath.
5. Connect the side bodies (Hot on the left and Cold on the right) using the flexible connecting pipes (14).
6. Connect the hot and cold water supplies to the side bodies and fully open both valves, letting them run for a few minutes to flush the system. Check all joints for any leaks





Installation – 5 Hole Bath Shower Mixer

1.	Indice	x3	11.	Handset	x1
2.	Handle Screw	x3	12.	Hose	x1
3.	Handle	x3	13.	Handset Side Body	x1
4.	Spline Adapter	x3	14.	Hose Connection	x1
5.	Shroud	x3	15.	Tap Body	x1
6.	Rubber Washer	x5	16.	Spout	x1
7.	Metal Washer	x5	17.	Plinth	x1
8.	Backnut	x5	18.	Spout Connection	x3
9.	Diverter Mechanism	x1	19.	Connecting Pipe	
10.	Diverter Body	x1			



Installation – 5 Hole Bath Shower Mixer

1. Identify all components are present prior to starting installation.
2. Remove the indice (1) and concealed handle screw (2) in order to remove the lever handle (3) and shroud (4) from the diverter/tap body (10/15).
3. Ensuring that the rubber washer (6), metal washer (7) and backnut (8) are all in place, fit the diverter/tap body through the underneath of the bath. Reconnect the shroud and handle assembly, then tighten the backnut (8) to secure into place.
4. Place the plinth (17) into position and secure the spout (16) and handset side body (13) using the same method as the tap and diverter body (see step 3).
5. Fit the connecting pipes (19) to the tap bodies and spout connection (18) and connect each of these pipes to the appropriate inlets on the diverter body. These will be marked accordingly on the body
6. Connect the handset (11) to the hose (12). Feed the hose through the handset side body and connect to the diverter body. **NOTE:** Be sure to make the right connection.
7. Connect the hot and cold water supplies to the side bodies and fully open both valves, letting them run for a few minutes to flush the system. Check all joints for any leaks
8. To switch from bath fill to shower mode, turn the diverter from left to right.





Maintenance

General Cleaning

Your fitting has a high quality finish and should be treated with care to preserve the visible surfaces. All finishes will wear if not cleaned correctly. The only safe way to clean your product is to wipe with a soft damp cloth. Stains can be removed using washing up liquid. All bathroom cleaning products (powders and liquids) will damage the surface of your fitting, even the non-scratch cleaners.

Note: Never use abrasive detergents or disinfectants or those containing alcohol, hydrochloric acid or phosphoric acid.

Cleaning the Showerhead – TSBC02

Your Heritage showerhead has rub-clean nozzles for easy cleaning. Simply rub your fingers across the rubber spray jets regularly and before you turn the shower on to remove any scale or debris.

The hardness of the water in your area will determine how often you should clean your showerhead. Build up of scale in particularly hard water areas combined with constant use means you may need to clean your showerhead once a week. To ensure continued performance the showerhead needs to be regularly descaled.

See map of Hard Water Regions on page 10 to see the water type in your area.

Tip: If the showerhead is heavily scaled or has not been maintained for a long period of time a solution of hot water and white vinegar may be needed to clear the scale.

Mix a 50/50 solution and rub the nozzles thoroughly with the solution making sure the solution gets into all of the nozzles.

Wash off the solution with clean water.



Maintenance cont.

Cleaning the Valves Within The Side Bodies

We advise that your fitting is regularly serviced in hard water areas to maintain optimum performance. If your fitting begins to leak the following should be carried out;

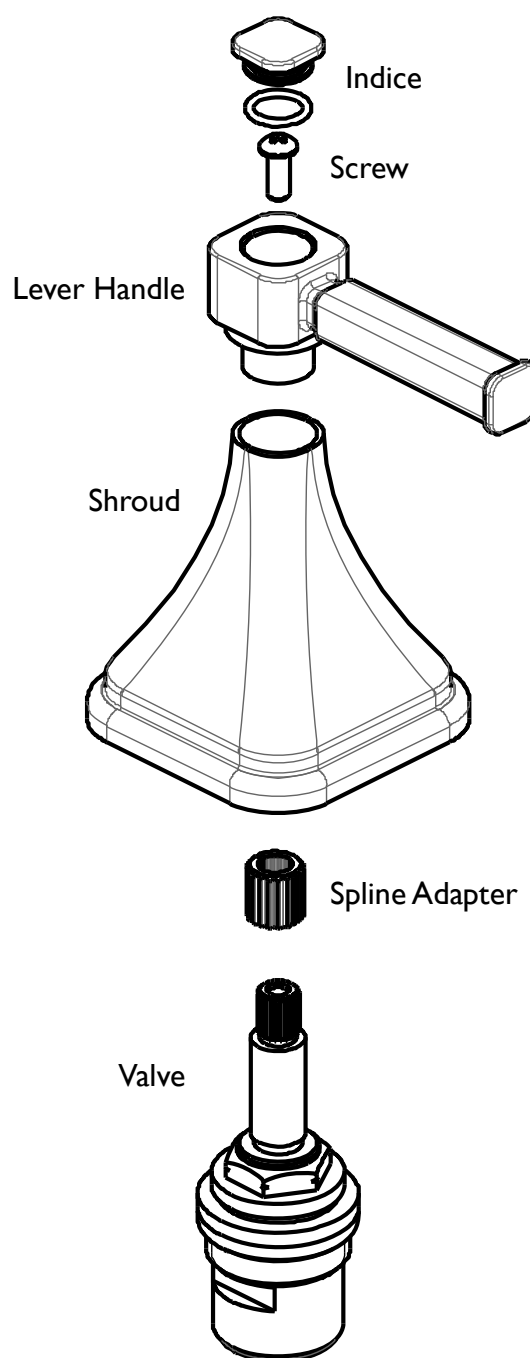
Isolate both hot and cold water supplies to the tap by either:

Turning the water supply off at the mains stopcock or

- Turning off the isolation valves to the tap.
1. Remove the indice on the top of the handle to reveal the concealed grub screw.
 2. Unscrew the grub screw and pull the handle upwards from the valve spindle.
 3. Remove the shroud by using a hexagonal key on the concealed grub screw at the rear base of the shroud and unscrew the shroud itself to gain access to the valve
 4. Use a suitable spanner to remove the valve and clean the seating inside the tap body, as well as the valve itself.
 5. If necessary replace the valve.

Please visit www.heritagebathrooms.com in order to find spare parts for this product.

6. Replace the valve into the tap body and tighten fully using a suitable spanner.
7. Replace handle assembly.
8. Turn on water supply and check for leaks.
9. Contact our helpline should if problem persists.





Troubleshooting

Symptom	Cause	Remedy
No flow or poor flow rate.	Partially closed stop or service valve in water supply pipework to the tap.	Open stop or service valve.
	Head of water is below the minimum distance required.	Refer to the Specification section for minimum pressures required.
	Possible airlock / blockage in supply pipework	Remove water supplies from the fitting and flush the system to remove any airlocks / debris.
	Cartridge / Valve not opening fully.	Service fitting. Refer to maintenance section on page 8/9.
Water dripping for a few seconds after the tap has been turned off.	This is caused by 'capillary action' and residual water in the spout being siphoned out. This should only last for a couple of seconds.	
Constant dripping / leaking when the tap is not in use.	Cartridge / Valve not fully shutting off.	Service fitting and replace cartridge / valve. Refer to maintenance section on page 8/9.
Fitting does not turn on.	Water supplies not turned on.	Check that the water supplies to the fitting are turned on.
	Closed stop or service valve.	Open stop or service valve.
Water does not come out of the showerhead when using the bath shower mixer.	Diverter mechanism not fully open.	Open the diverter mechanism fully by turning the diverter lever handle.
	Insufficient water pressure / header height.	Refer to the specification section for minimum pressures required.



Heritage Bathrooms Guarantee

When you buy a Heritage product, you can be confident that it not only features distinctive design, but that it has also been made to meet our rigorous quality standards.

We offer robust guarantees and an attentive aftercare service to ensure that if you do experience any issues, we can deal with a problem quickly, and effectively.

Please note that guarantees are only valid with proof of purchase.

Our guarantees are as follows:



2 Years on
Mirrors &
WC Seats



5 Years on
Bath Screens,
Furniture,
Shower Valves,
Taps, Wastes
& Accessories



Lifetime Guarantee
on Acrylic &
Cast Iron Baths
And Sanitaryware

Register now for additional peace of mind

Register your product with us now and, if you do have any queries after installation, we'll be able to quickly identify the product and give you the best advice. It also means that you won't have to keep your proof of purchase to validate your guarantee. To register, simply go online at www.heritagebathrooms.com/register

Guarantee Terms and Conditions

This guarantee is in addition to your statutory and other legal rights and is subject to the following conditions:

- The product was purchased within the United Kingdom or Republic of Ireland
- The product is used in domestic applications only
- The guarantee applies solely to the original purchaser with proof of purchase
- The installation must allow ready access to all products for the purpose of inspection, maintenance or replacement
- Repair under this guarantee does not extend the original expiry date. The guarantee on any replacement parts or product ends at the original expiry date

Any part found to be defective during the guarantee period will be replaced without charge, providing that the product has been installed in accordance with the instructions given in this guide and used as the manufacturer intended. If the product is no longer available, Heritage will endeavour to provide the nearest equivalent.





Heritage Bathrooms Guarantee Cont.

The guarantee does not cover:

- Damage or defects caused by
 - General wear and tear (including special non-chrome finishes; components such as filters, seals, 'O' rings and washers)
 - Incorrect installation
 - Repair using non-Heritage parts
 - Accidental or wilful misuse
 - Corrosion and the use of inappropriate cleaning products.
 - System debris including the build-up of limescale (which can be controlled through regular servicing and maintenance)
- Compensation for loss of use of the product or consequential loss of any kind.

In the interests of continuous product improvement, Heritage reserves the right to alter product specifications without notice.

Need help?

In the unlikely event that you encounter a problem with your Heritage product, you must, in the first instance, contact the retailer you purchased it from. They will advise as to whether it is due to a manufacturing fault or an installation fault. If the problem is due to a manufacturing fault, they will contact us to arrange a supply of a replacement product as soon as possible. To speak to a Heritage customer service advisor, please contact our technical helpline on **0844 701 8503**.



Notes

Please use this space to add any notes you or your installer may have regarding the plumbing system / installation of this product.





Notes

Please use this space to add any notes you or your installer may have regarding the plumbing system / installation of this product.





Heritage Bathrooms
Birch Coppice Business Park
Dordon
Tamworth
B78 1SG

Website: www.heritagebathrooms.com

Telephone: 0844 701 8503

Email: technical@heritagebathrooms.com

HFI (SOMERSBY - 3_5 HOLE) REV. D I

