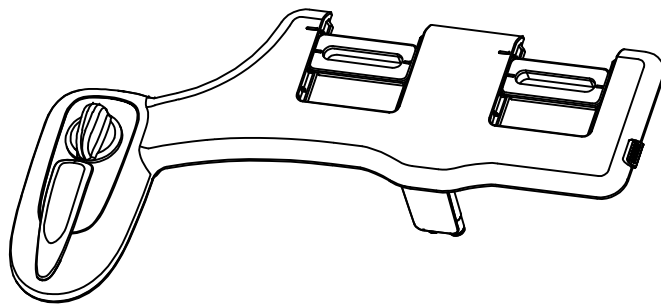
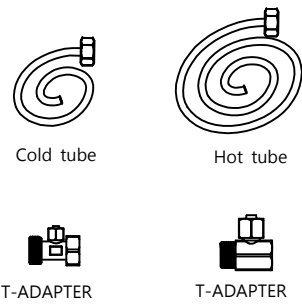
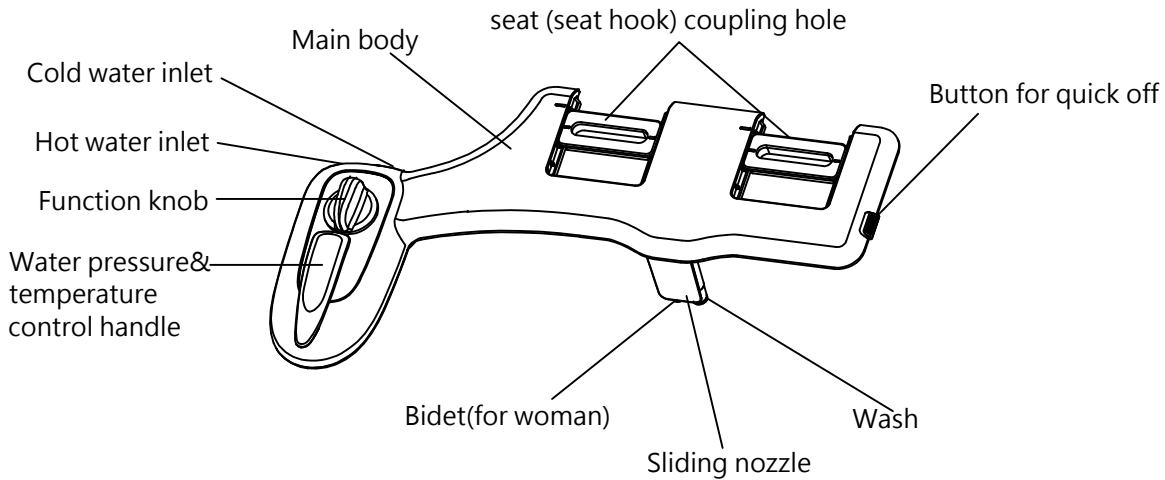





INSTRUCTION MANUAL

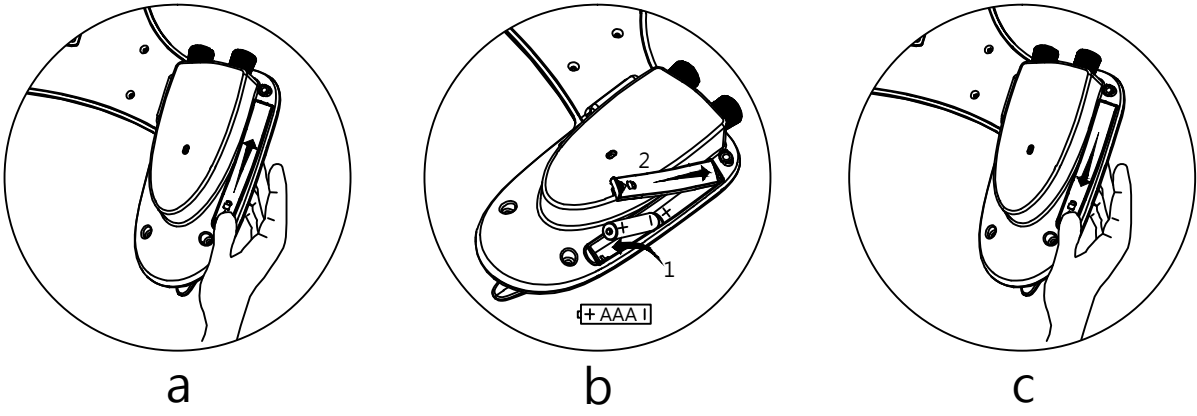


NAMES AND FUNCTIONS OF PARTS

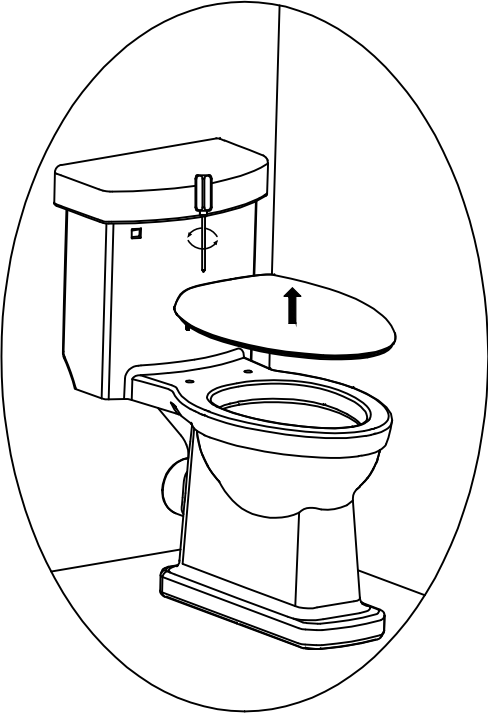


Installation Tools Needed		
		
Wrench	Tefion tape	Screwdriver

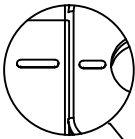
Install The Battery



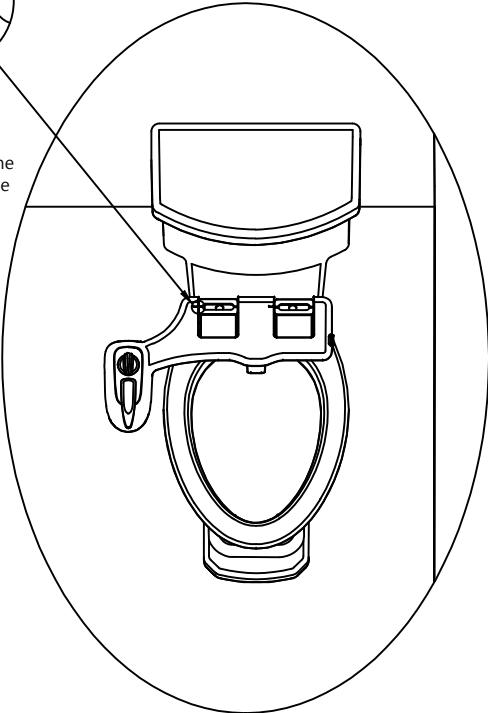
Install The Bidet



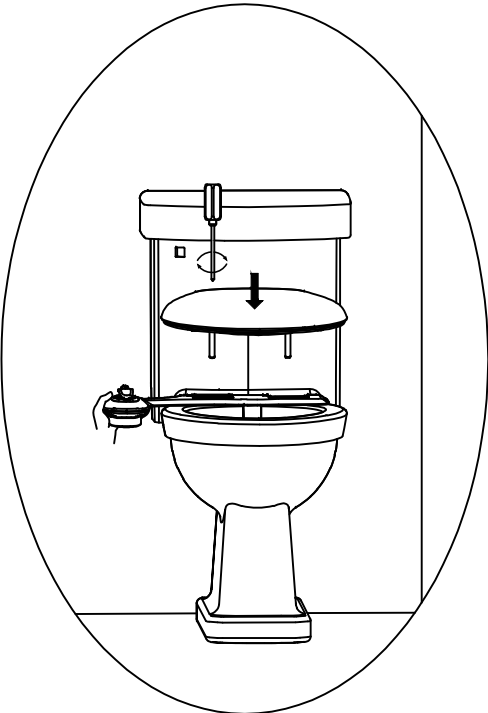
a



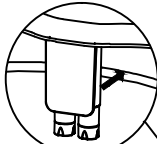
Make the rib line on the fixing plates in line with the marker on the product.



b



c

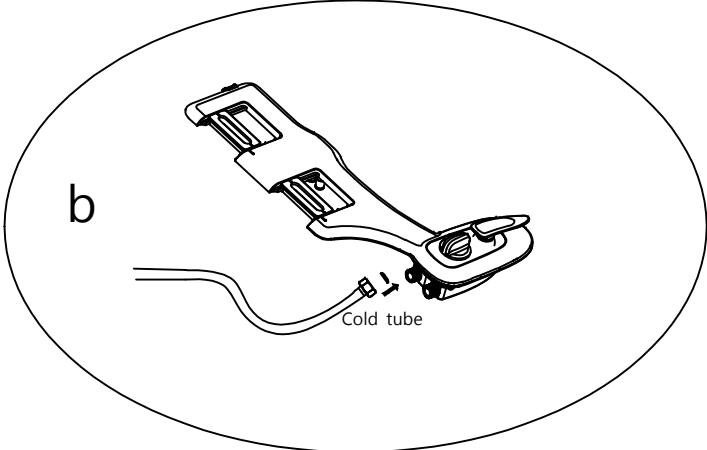
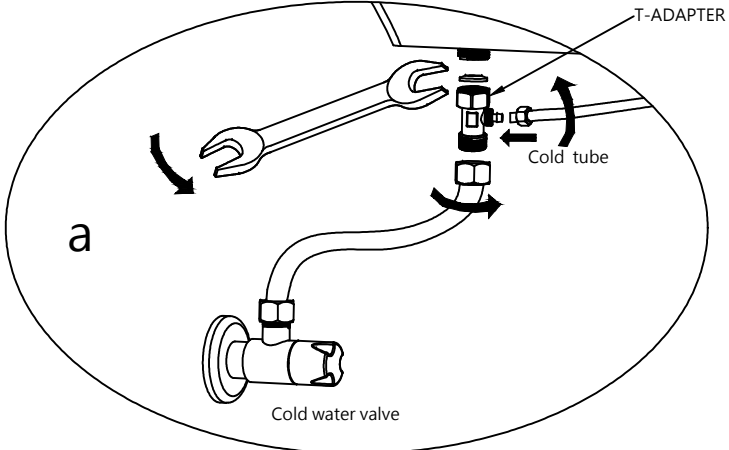
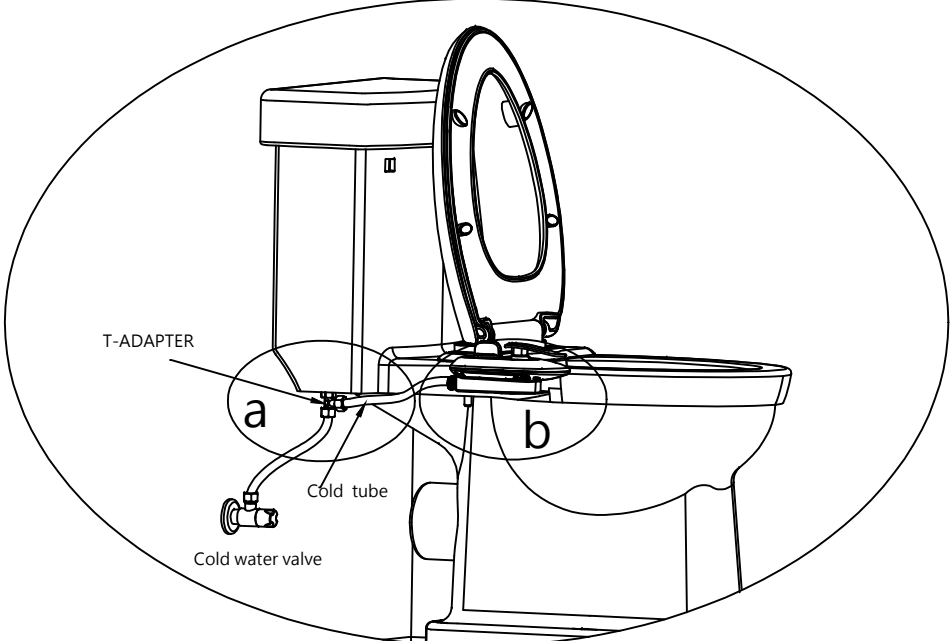


Push the bidet till the nozzle touch the rim of the toilet.

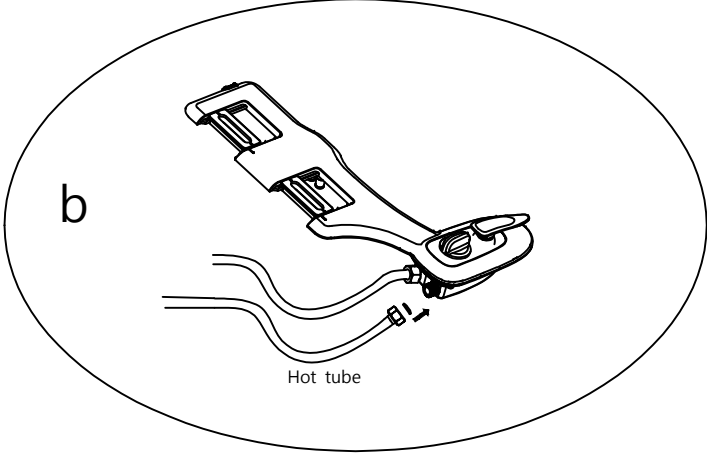
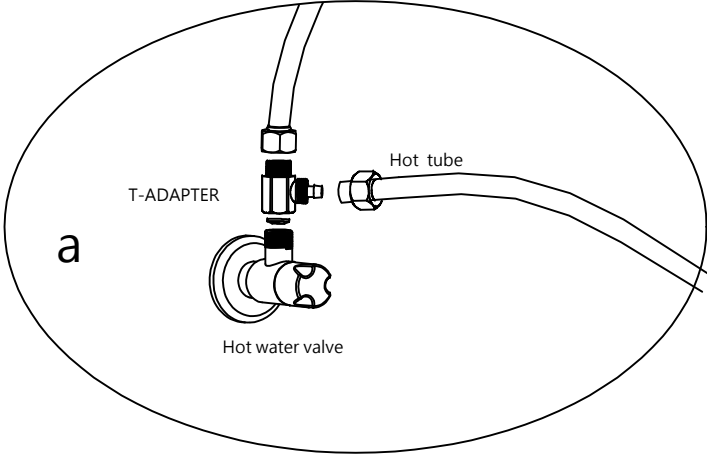
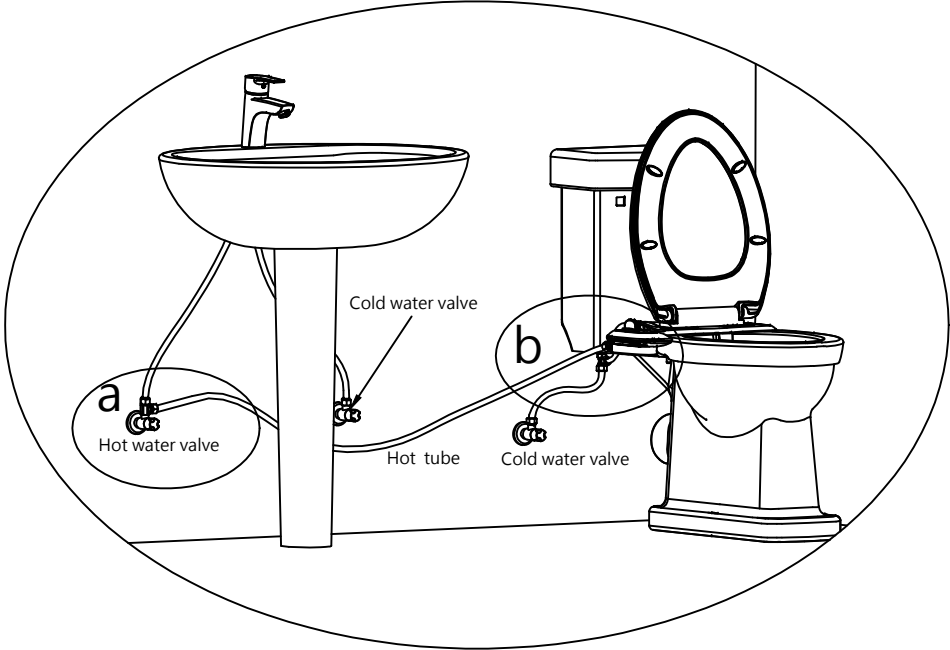


d

Connect Cold Water



Connect Hot Water



Quick Off

