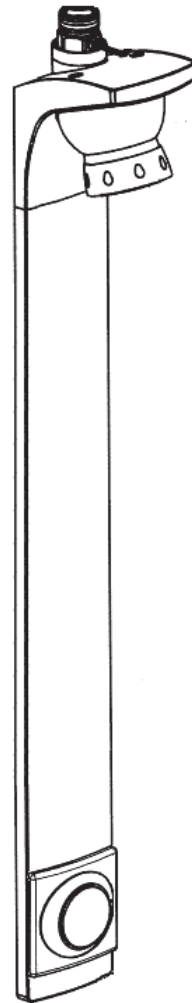


BRISTAN

Installation Instructions and User Guide

TFP4001 Timed Flow Shower
Panel with Adjustable Head



Model covered: TFP4001

Please keep this booklet for future
Reference.



Installer, when you have read these
instructions please ensure you leave them
with the user.

Contents

Thank you for choosing Bristan, the UK's leading showers and taps expert. We have designed this product with your enjoyment in mind. To ensure that it works to its full potential, it needs to be fitted correctly. These fitting instructions have been created to give you all of the information you need and, if you need any further help, please do not hesitate to give us a call on 0844 701 6273.

Important Safety Information	3
General Information	4
Product Features	5
Specifications	6
Dimensions	7
Installation Requirements	8
Installation	9-13
Operation & Commissioning	14
Maintenance & Adjusting The Time Flow	15-17
Map of Hard Water Regions in the UK	18
Troubleshooting	19-20
Notes	21
Guarantee	22-23

Important Safety Information

- Please read these instructions thoroughly and retain for future use.
- All products manufactured and supplied by Bristan are safe provided they are installed, used correctly and receive regular maintenance in accordance with these instructions.
- This fitting needs to be installed in accordance with, and meet the requirements of the Water Supply (Water Fittings) Regulations 1999 and Scottish Byelaws 2004.
- **If you are in any doubt about your ability to install this product safely you must employ the services of an experienced qualified plumber.**
- Remove all packaging and check the components for damage before starting installation.
-  **Warning:** Before starting any installation please consider the following: Prior to drilling into walls, check that there are no hidden electrical wires, cables or water supply pipes. This can be checked with the aid of an electronic detector.
If power tools are used do not forget to:
 - Wear eye protection
 - Unplug equipment after use
- The fitting of isolating valves is required as close as is practical to the supply inlet feeds.
- The fitting of strainers is recommended as close as is practical to the water supply inlet feeds.
-  **Warning:** Before installing the shower panel it is essential that you thoroughly flush through the pipework in order to remove any remaining swarf, solder, etc. Failure to carry out this procedure could cause problems or damage to the workings of the shower valve.
- This product **must not** be modified in any way as this will invalidate the guarantee.

General Information

The Bristan Timed Flow Shower Panel has been designed, manufactured and tested to the highest standards and satisfies the requirements of the Water Supply (Water Fittings) Regulations 1999 and current bylaws

Designed to be used with systems designed to BS 6700.

BS6700 recommends the temperature of stored water should never exceed 65°C. A stored water temperature of 60°C is considered sufficient to meet all normal requirements and will minimise the build up of lime scale in hard water areas (see Map of Hard Water Regions in the UK on page 18).

If the fitting is installed at low pressure (tank fed), then the minimum distance from the highest installed position of the showerhead to the underside of the stored water supply should be at least 10 metres to ensure adequate performance.

This shower valve should be installed in compliance with the Water Supply (Water Fittings) Regulations 1999 and the Scottish Byelaws 2004.

If in doubt, contact a registered plumber or your Local Water Authority or the Secretary of The Institute of Plumbing, address as follows:-

The Institute of Plumbing,
64 Station Lane,
Hornchurch,
Essex, RM12 6NB
Tel: 01708 472791

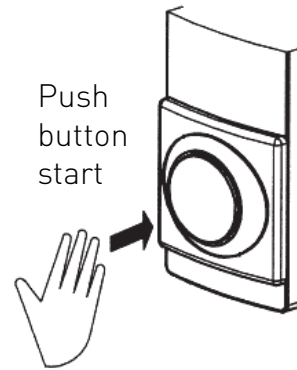
Recommended Usage			
Domestic	✓	Heavy Commercial	✓
Light Commercial	✓	Health Care	X

Product Features

1. Push button control

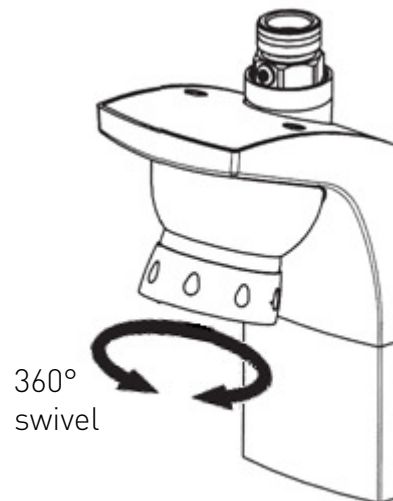
Press the push button in to turn on the flow of water

The water will flow for approximately 30 seconds depending on site conditions.



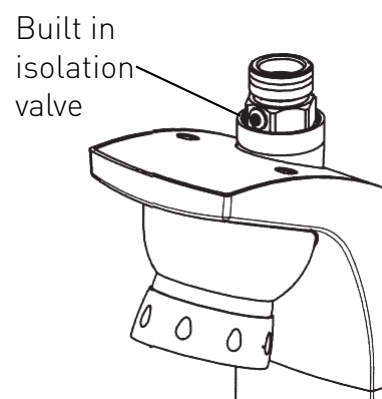
2. 360° swivel shower head

The shower head swivels in any direction 360°. Simply twist the showerhead to the desired position.



3. Built in isolation valve

The shower panel incorporates a built in isolation valve within the telescopic connection for ease of maintenance.



Specifications

Inlet Connection: 3/4" BSP Male telescopic connection.

Operating Pressure Range: Min: 1.0 bar – Max: 5.0 bar

Maximum Static Pressure: 10.0 bar

Flow Regulator: Supplied with a 10 litres per minute flow regulator fitted.

Supply Requirements:

A blended hot & cold water supply is required to the Timed Flow Shower Panel.

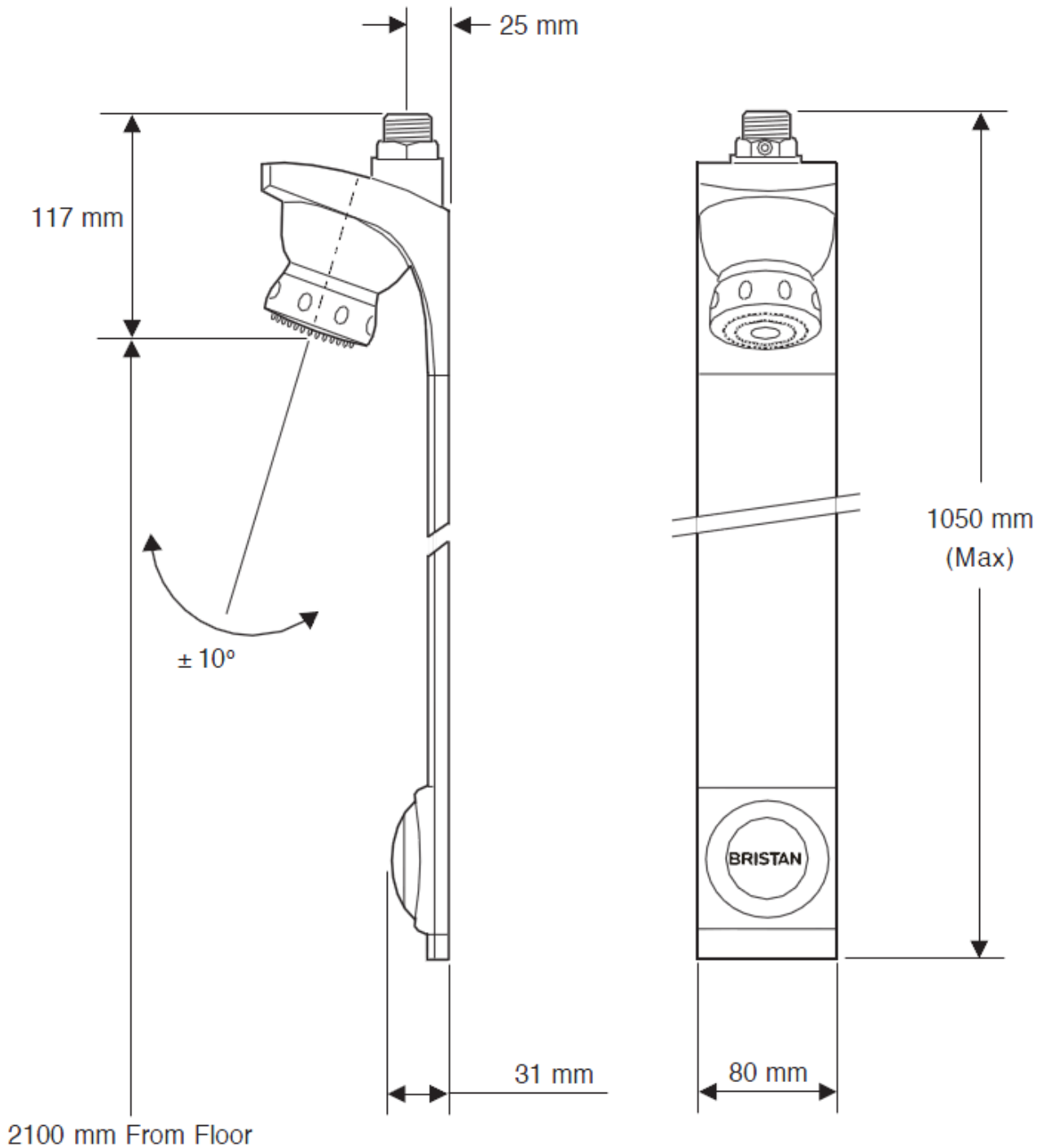
Performance:

Flow Rates are in litres per minute with a 10 litre per minute flow regulator fitted.

Flow rates accurate to +/- 10%.

Pressure (bar)	1.0	1.5	2.0	2.5	3.0	3.5	4.0	4.5	5.0
Flow Rate	8.0	9.0	10	10	10	10	10	10	10

Dimensions (mm's)



Installation Requirements

These fittings need to be installed in accordance with the following Installation Requirements and Notes (IRN) to ensure they meet the requirements of the Water Supply (Water Fittings) Regulations 1999 and the Scottish Byelaws 2004.

IRN R001: See text of entry for Installation Requirements or Notes.

IRN R040 - Schedule 2-15 (1): The fitting shall be installed so that its outlet discharges above the spill-over level of any fixed appliance as indicated below:-

For backflow protection in domestic or installations up to, and including, Fluid Category 3.

If the fitting cannot be installed as indicated in the table opposite it shall be installed as either **a** or **b** below:

a: with an approved double check valve assembly or some other no less effective backflow prevention device immediately upstream of the inlet.

b: so that it draws water by gravity only from a cistern, or cylinder having a permanently open vent pipe, and the distributing pipe supplies no other fitting (other than draining tap) at a lower level.

For backflow protection in premises or installations up to, and including Fluid Category 5.

The vertical distance of the outlet above the spill-over level shall be not less than 20mm or twice the diameter of the inlet pipe to the fitting, which ever is the greater. If the fitting cannot be installed as indicated it shall be installed with a backflow prevention arrangement suitable for the Fluid Category.

Size of tap or combination fitting.	Vertical distance of outlet above spill-over level.
1. Not exceeding 1/2 in	20mm
2. Exceeding 1/2 in but not exceeding 3/4 in	25mm
3. Exceeding 3/4 in	70mm

Installation


Before Installation

Flush through the pipework to ensure removal of debris. Turn off the water supply and close any isolating valves.

1. Fit wall bracket

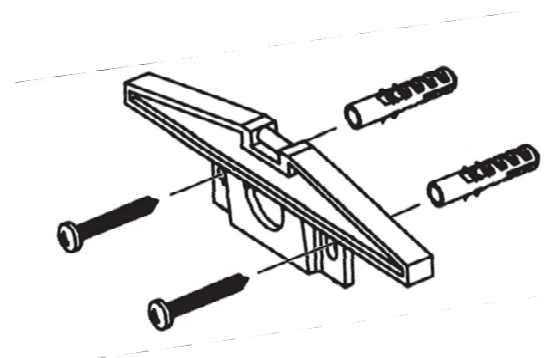
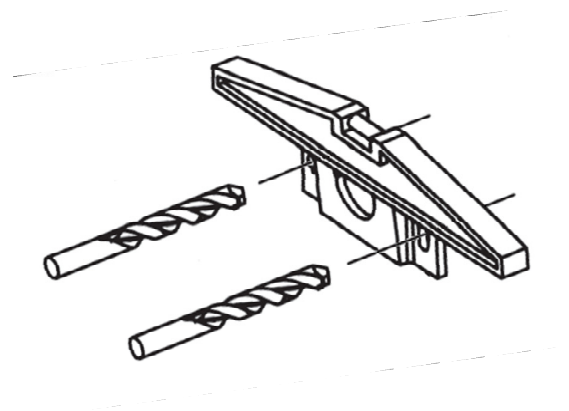
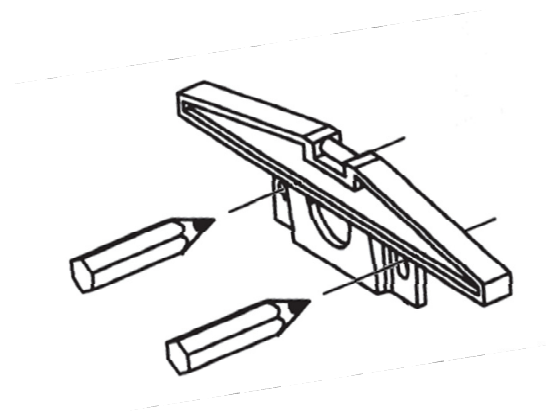
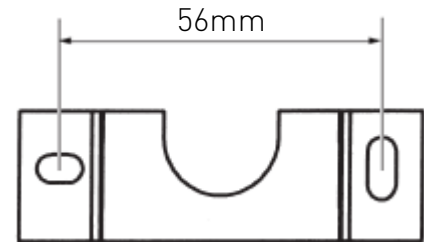
Position the wall bracket onto the wall surface in the desired position bearing in mind the suggested distance (2100mm) from the floor to the shower head.

Using a spirit level to ensure the wall bracket is level and mark out the fixing holes.

 **Warning:** Please check for any hidden pipes and cables before drilling holes in the wall.

Drill suitable holes in the wall surface at the marked positions using a suitable drill bit and insert the wall plugs as necessary. If wall plugs are required use a 6mm drill bit.

Secure the wall bracket to the wall surface.



Installation cont.

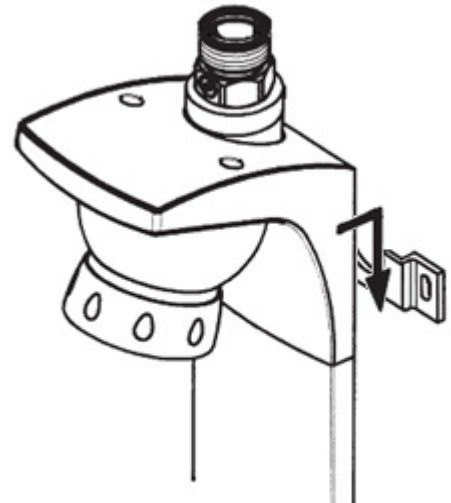
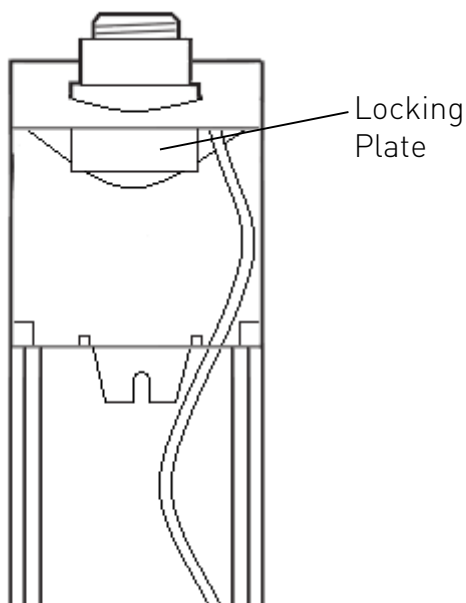
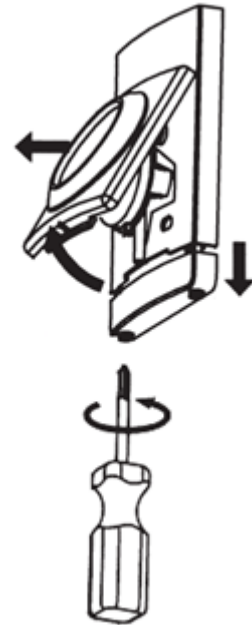
2. Remove push button cover

Using a suitable screw driver remove the bottom end cover.

Pull the push button cover up from the panel and remove.

3. Pre fit shower panel

Fit the shower panel against the wall and push it down so that the locking plate fits securely into the wall bracket.




Installation cont.

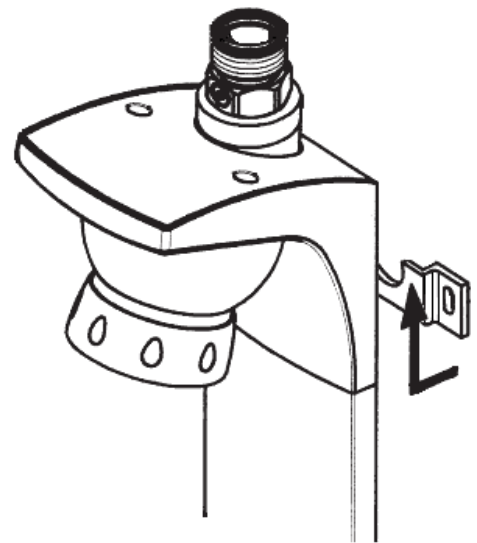
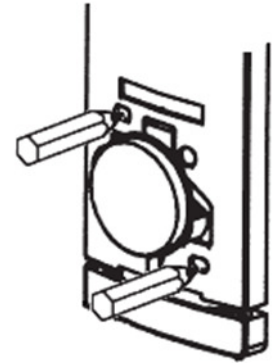
4. Mark bottom fixings

Ensure the shower panel is vertical (using a spirit level) and flat against the wall and mark the bottom fixing holes either side of the push button.

Remove the shower panel from the wall by lifting it out of the wall bracket.

 **Warning:** Please check for any hidden pipes and cables before drilling holes in the wall.

Drill suitable holes in the wall surface at the marked positions using a suitable drill bit and insert the wall plugs as necessary.



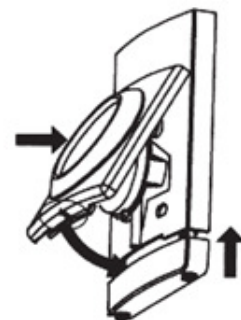
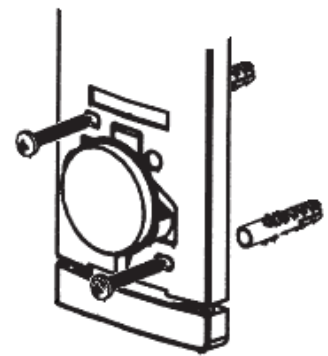
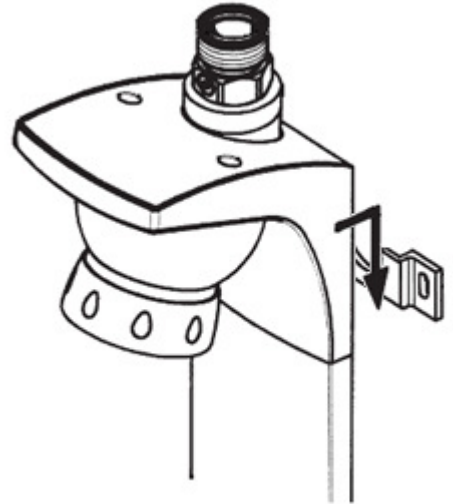
Installation cont.

5. Fit the shower panel

Fit the shower panel to the wall ensuring the locking plate fits securely into the wall bracket and line up the holes in the bottom of the panel with the holes drilled in the wall surface.

Secure the shower panel to the wall using the screws provided.

Refit the push button cover, push the bottom end cover into the bottom of the shower panel and tighten the end cover Screws (**DO NOT OVERTIGHTEN**)



Installation cont.

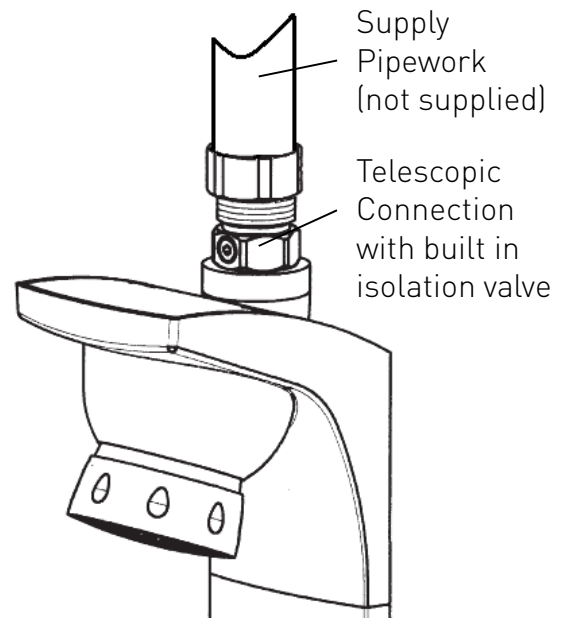
6. Connect water supply

Ensure the telescopic connector is fully extended by pulling it up to access the built in isolation valve.

Tip: Screw a 3/4" BSP female connector (not supplied) onto the thread of the telescopic connector to easily pull it up and fully extend.

Connect the water supply using a 3/4" BSP female connection with a suitable sealing washer (not supplied). Alternatively use a suitable sealing tape on the thread to create a water tight seal.

Turn on the water supply to the shower panel and open the built in isolation valve.



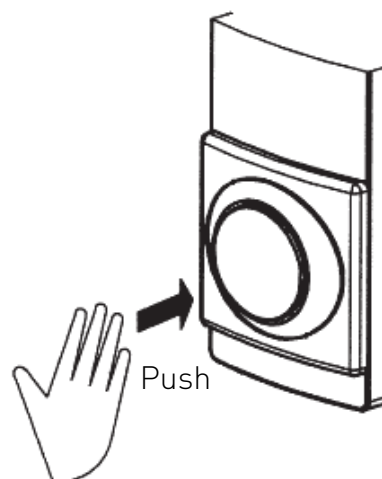
Operation & Commissioning

Operating the shower panel

To turn on the flow of water press the push button in.

The water will flow for approximately 30 seconds depending on site conditions.

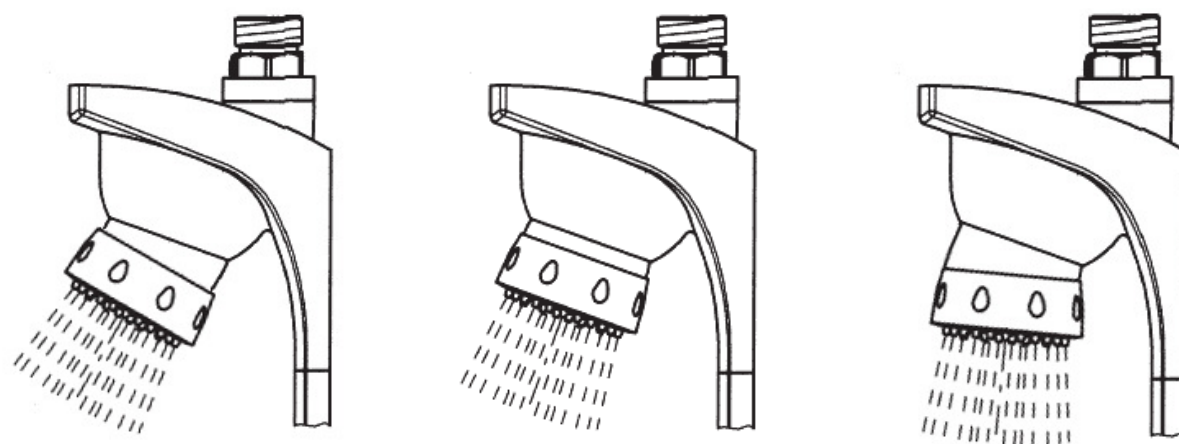
Note: Refer to Adjusting The Time Flow section on page 17 to change the time duration.



Adjusting the shower head angle

The shower head swivels 360° in any direction.

See below for different positions.



Before using the Bristan Shower panel please follow the below steps to commission the unit.

Ensure the supply pipework is flushed through.

Open the built in isolation valve and turn on the water supply.

Press the push button in several times to flush out any air in the system.

Maintenance

General Cleaning

Your fitting has a high quality finish and should be treated with care to preserve the visible surfaces. All finishes will wear if not cleaned correctly. The only safe way to clean your product is to wipe with a soft damp cloth. Stains can be removed using washing up liquid.

All bathroom cleaning products (powders and liquids) will damage the surface of your fitting, even the non-scratch cleaners.

Note: Never use abrasive detergents or disinfectants or those containing alcohol, hydrochloric acid or phosphoric acid.

Flow cartridge maintenance

We advise that the shower is regularly serviced in hard water areas to maintain the flow of water (see map of Hard Water Regions in the UK on page 18).

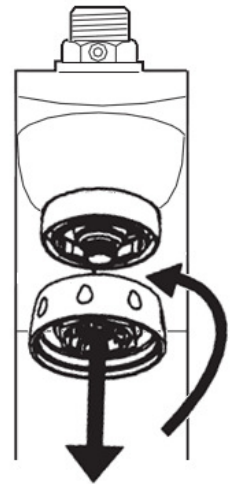
Isolate the water supply to the shower panel by either:

- Closing the isolation valve on the telescopic connection or
- Turning the blended water supply off at the hot and cold supplies.

Follow the directions opposite.



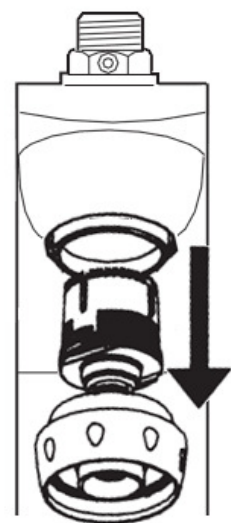
1. Unscrew the shower head using a 4mm hexagonal key.



2. Remove the shower head and push out the spray plate.



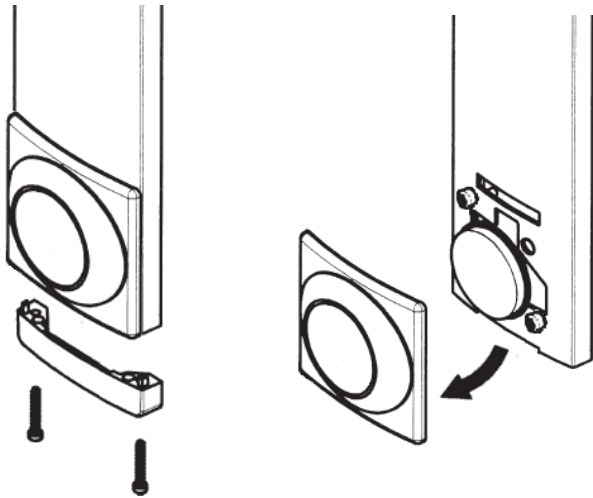
3. Turn the shower head upside down and slot into the locking nut. Unscrew the locking nut and remove.



4. Pull the flow cartridge out and inspect / replace as necessary.

Maintenance & Adjusting Time Flow.

Removing the push button cover



1. Remove the end cover screws and pull the end cover off from the panel.

2. Lift the bottom of the push button cover up and pull away from the panel.

Cleaning the shower head

Your Bristan shower head has rub – clean nozzles for easy cleaning.

Simply rub your fingers across the rubber spray jets regularly to remove any scale or debris.

The hardness of the water in your area will determine how often you should clean your shower head.

Build up of scale in particularly hard water areas combined with constant use means you may need to clean your shower head once a week.

To ensure continued performance of your shower the shower head needs to be regularly descaled.

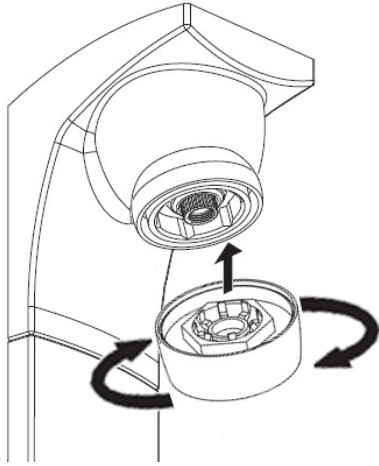
Adjusting the time flow setting.

The Bristan shower panel gives the user the option to adjust the time flow setting. Follow the step by step diagrams to adjust the flow setting.

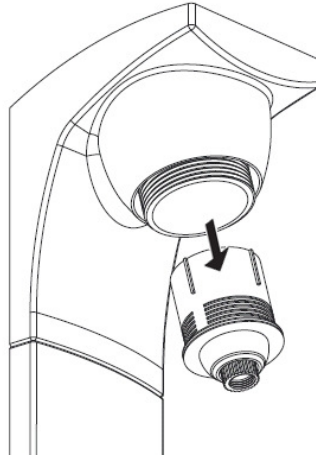


1. Unscrew the locking screw using a 4mm hexagonal key and remove the spray plate and spray plate holder.

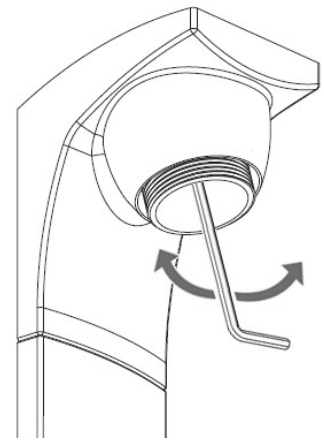
Adjusting Time Flow cont.



2. Invert the spray plate holder and use to unscrew the locking collar.

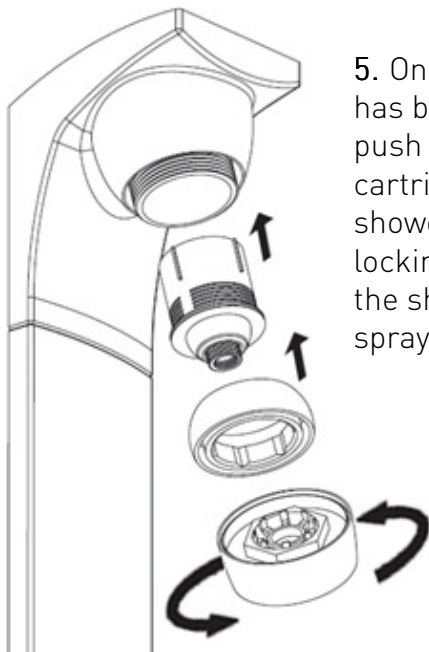


3. Pull the flow cartridge out from the shower.

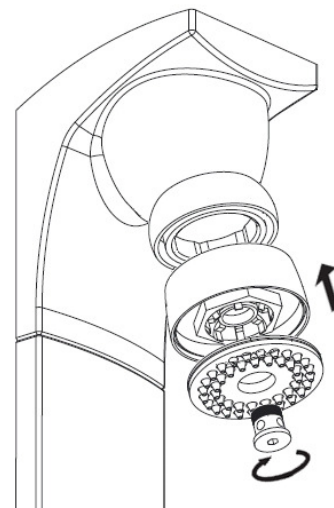


4. Using a 3mm hexagonal key turn the flow screw clockwise for a longer flow time and anti-clockwise for a shorter flow time.

= +20% = -35%



5. Once the flow time has been adjusted push the flow cartridge back into the shower. Screw the locking collar back onto the shower using the spray plate holder.



6. Push the spray plate holder and spray plate onto the locking collar and secure in position by tightening The locking screw.

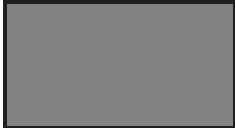
Hard Water Regions in the UK



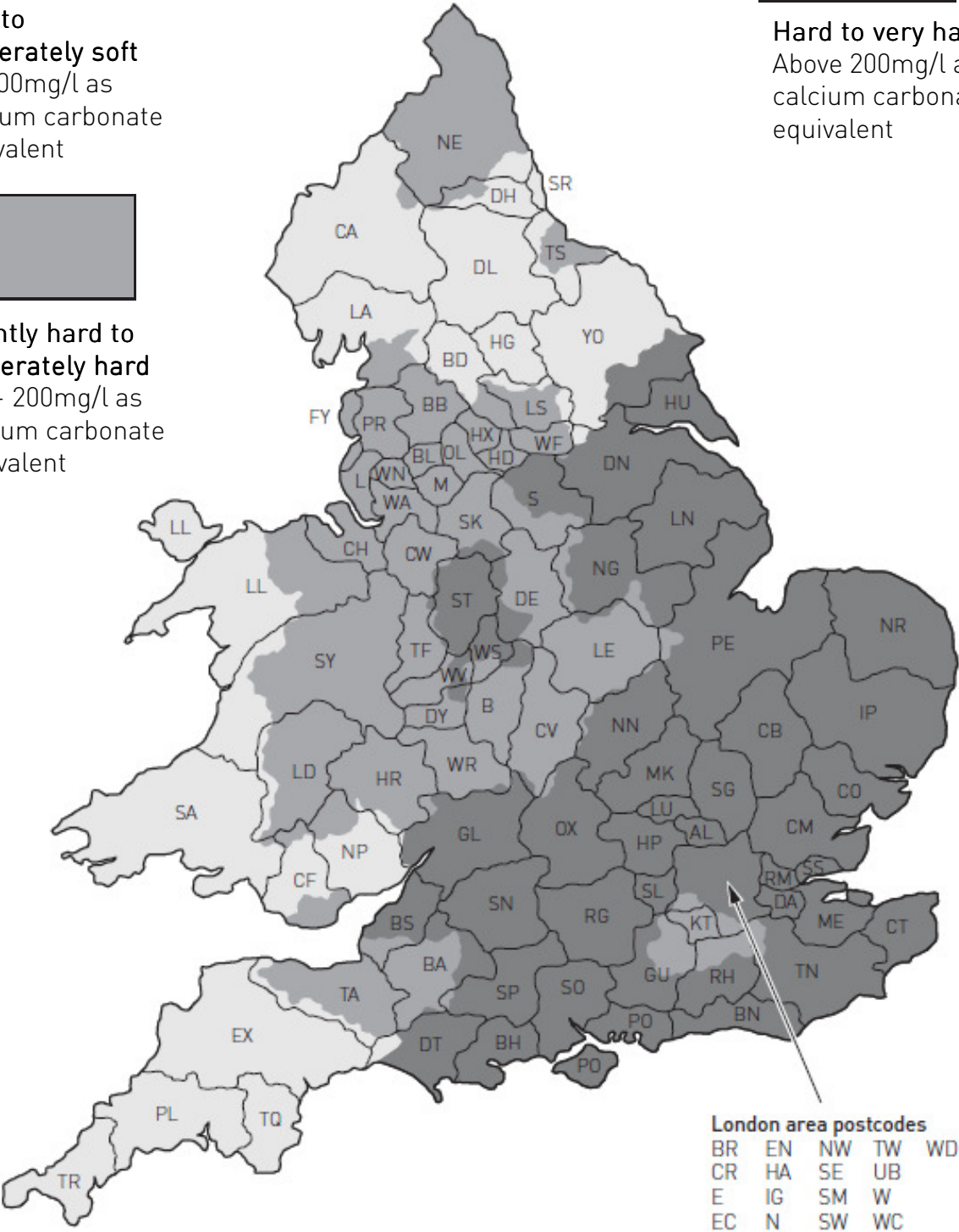
Soft to moderately soft
0 - 100mg/l as calcium carbonate equivalent



Slightly hard to moderately hard
100 - 200mg/l as calcium carbonate equivalent



Hard to very hard
Above 200mg/l as calcium carbonate equivalent



Troubleshooting

Symptom	Cause	Remedy
Shower will not turn on when push button is pressed in.	Isolation valve closed.	Open the isolation valve on the telescopic connection. Check any isolation valves to the water supply are open.
	Bleed tube not fitted correctly.	Remove the shower panel from the wall and check the bleed tube is fitted correctly.
	Shower flow cartridge faulty.	Remove the shower flow cartridge and check / replace if necessary. Refer to maintenance section (pages 15-16).
	Push button assembly faulty.	Remove the push button cover and check / replace the push button assembly.
Shower will not turn off.	Shower flow cartridge faulty.	Remove the shower flow cartridge and check / replace if necessary. Refer to maintenance section (pages 15-16).
	Push button assembly faulty.	Remove the push button cover and check / replace the push button assembly. Refer to installation section (page 12).
Shower does not run for long enough.	Isolation valve partially closed.	Open the isolation valve on the telescopic connection. Check any isolation valves to the water supply are open.
	Insufficient water pressure.	Check water supply pressure. Refer to specification section for minimum working pressure.
	Shower flow cartridge faulty.	Remove the shower flow cartridge and check / replace if necessary. Refer to maintenance section (pages 15-16).

Troubleshooting

Symptom	Cause	Remedy
Shower does not run for long enough.	Push button assembly faulty.	Remove the push button cover and check / replace the push button assembly.
	Time flow requires adjustment.	Adjust time flow. Refer to Adjusting Time Flow section (pages 16-17).
Poor flow from the shower head.	Showerhead blocked	Remove shower head and clean the spray plate. Refer to maintenance section (pages 15-16)
	Flow regulator blocked	Remove shower head and flow regulator and clean. Refer to maintenance section (pages 15-16)
	Insufficient water pressure.	Check water supply pressure. Refer to specification section for minimum working pressure.
	Isolation valve partially closed.	Open the isolation valve on the telescopic connection. Check any isolation valves to the water supply are open.

Notes

Please use this space to add any notes you or your installer may have regarding the plumbing system/installation of this product.

Guarantee

At Bristan, we want to make things as easy as possible for our customers. That's why we design products that are easy to fit and use, and that are quality tested to make sure they won't let you down. It's also why we offer solid guarantees on all products, effective from the date of purchase, to give you peace of mind.

All Bristan shower panels are covered by a **1 year guarantee**. This also includes **1 year labour cover** which means that, in the unlikely event that there is a problem in the first year after purchase, we'll send one of our expert engineers to fix it.

*Labour is provided by an approved Bristan Care engineer or appointed representative. The guarantee only applies to products with a manufacturing fault. There will be a call out charge for any incidents where no fault has been found with the product, or if the issue is due to poor installation or maintenance.

Guarantee Terms and Conditions

This guarantee is in addition to your statutory and other legal rights and is subject to the following conditions:

- The product was purchased within the United Kingdom or Republic of Ireland.
- The guarantee applies solely to the original purchaser with proof of purchase.
- The installation must allow ready access to all products for the purpose of inspection, maintenance or replacement.

- Repair under this guarantee does not extend the original expiry date. The guarantee on any replacement parts or product ends at the original expiry date.
- Any part found to be defective during the guarantee period will be replaced without charge, providing that the product has been installed in accordance with the instructions given in this guide and used as the manufacturer intended.
- The guarantee does not cover:
 - Damage or defects caused by
 - general wear and tear (including special non-chrome finishes; components such as filters, seals, 'O' rings and washers)
 - incorrect installation
 - repair using non-Bristan part
 - accidental or wilful misuse
 - corrosion and the use of inappropriate cleaning products.
 - system debris including the build up of limescale (which can be controlled through regular servicing and maintenance)
 - Compensation for loss of use of the product or consequential loss of any kind.

In the interests of continuous product improvement, Bristan reserves the right to alter product specifications without notice.

Guarantee

The Bristan Product Guarantee does not affect your statutory rights as a consumer.

•Need help?

If this product does not function correctly when first used, contact **Bristan Care Customer Service on 0844 701 6273** where our expert team of advisors will be able to offer you help and advice.

•Problems during the guarantee period

In the unlikely event that you encounter any problems with the product during the guarantee period, contact **Bristan Care Customer Service on 0844 701 6273** with your proof of purchase and we will work to resolve the problem quickly.

Bristan Care Customer Support

Bristan customers also benefit from the support of Bristan Care, our comprehensive customer support package which offers:

Technical support hotline

(Tel: 0844 701 6273) with access to fully trained advisors who can offer installation advice, talk you through quick maintenance checks, or recommend the best course of action to fix any problems with a product

Expert advice

Find easy to follow 'how to' video guides and technical FAQs online at www.bristan.com. Our guides take you step-by-step through many product installations and you can find plenty of easy guides to quick product fixes and servicing.

Spare parts

We hold thousands of spares and we keep them for discontinued products for over seven years. Spares can easily be ordered online at www.bristan.com and are dispatched the same day.

Expert plumbing engineers

If we can't solve the problem over the 'phone or with a spare part, then we'll send out one of our Bristan Care engineers to take a look. Bristan Care engineers provide free support for products that are within guarantee, but are also available to service products that are out of guarantee for a small charge. For details, please call customer services on 0844 701 6273.

Part Number: TFP4001

Issue: D1

BRISTAN

Bristan Group Ltd.
Birch Coppice Business Park
Dordon
Tamworth
Staffordshire
B78 1SG
Web: www.bristan.com
Email: enquire@bristan.com

A Masco Company