

AFTERCARE INSTRUCTIONS

Whilst this item has a high quality durable finish, it should nevertheless be treated with care. Surfaces should be cleaned using only a soft damp cloth and clean water & dried using a soft cotton cloth. Bath cleaning products, even non-scratch ones could damage the finished surface.

10-YEAR GUARANTEE

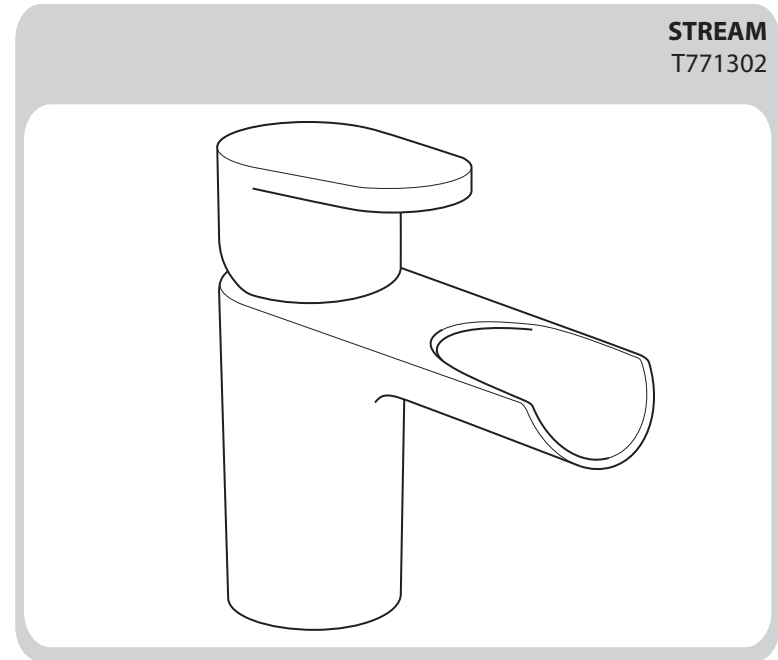
We have complete confidence in this Roper Rhodes product and as such it is offered with a 10-year guarantee against defects in manufacture. The guarantee requires that this product be used in the manner for which it was intended and that it is installed & maintained in accordance with the fitting instructions and local water bylaws. The guarantee covers products in domestic use only. The guarantee is invalidated should the mixer be damaged by water borne debris. Make sure that supply pipes are clear of any debris prior to installation, this is particularly important on new plumbing installations. In the unlikely event that this product should fail during the guarantee period we will either replace the faulty part or the complete unit as appropriate.



STREAM OPEN SPOUT BASIN MIXER Installation & aftercare instructions

Please retain for future reference

STREAM
T771302



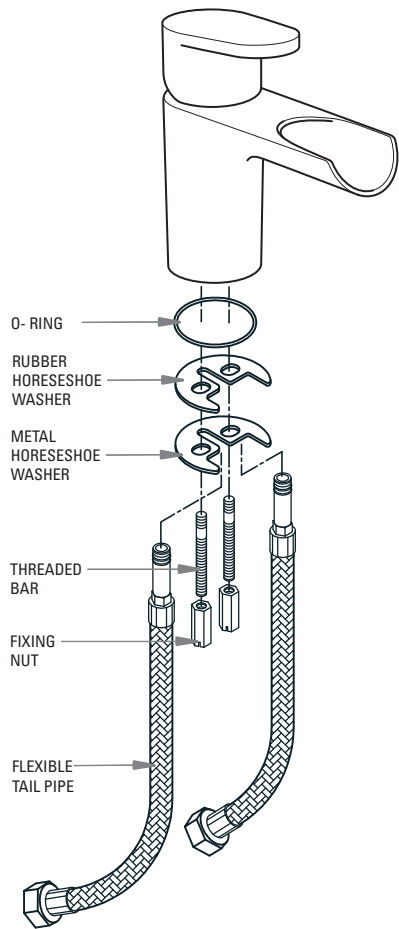
ROPER RHODES

Customer Services, Roper Rhodes Ltd, Brassmill Lane Trading Estate, Bath, BA1 3JF

TEL: 01225 303 900 | FAX: 01225 448 877

Email: sales@roperrhodes.co.uk | Web: www.roperrhodes.co.uk

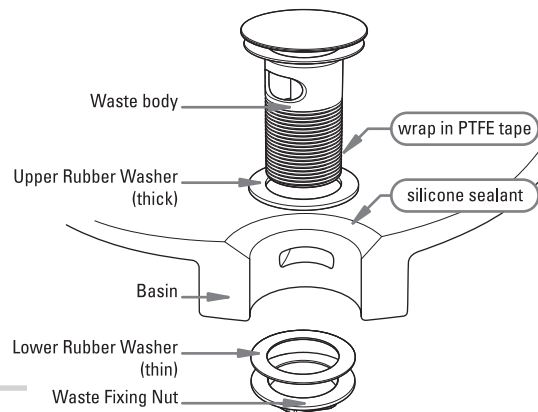
REF: KH.RR.T20 | 01.10 V1.00



INSTALLATION PROCEDURE

- 1) Prior to installation flush out the pipe work to remove debris & then ensure that the water supply is turned off.
- 2) Refer to diagram & check that all components are present.
- 3) Fit the flexible tail pipes to the basin / bidet mixer body using an appropriate spanner, making sure that you do not over tighten.
- 4) Attach the threaded bars (x2) supplied to the base of the mixer body. At one end of each of the threaded bars is a short threaded section followed by a short unthreaded section. This end should be attached to the tap until the stop in the thread is reached.
- 6) Fit the mixer body to the basin using the horseshoe washers & nuts supplied in the sequence indicated on the drawing DO NOT over-tighten as this may damage the basin.
- 8) Connect the water supply to the flexible tails. Hot supply should always be connected to the left hand side.
- 9) Fully open mixer on both hot & cold sides & allow water to run for approximately one minute to further flush the system.
- 10) Check all connections for leaks.

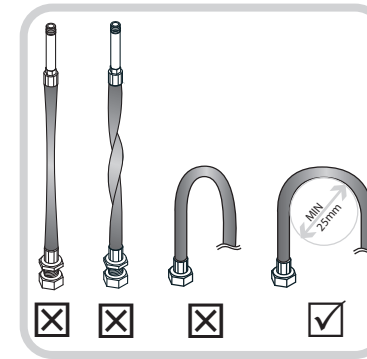
CLICK WASTE INSTALLATION



Due to the inherent tolerances in the manufacture of ceramic basin it is recommended that a suitable silicone sealant is used between the upper rubber washer and the basin, to achieve a water-tight seal.

PTFE tape should be used around the thread of the waste to prevent leaks.

HOSE GUIDELINES



FLOW & TEMPERATURE LIMITER

This tap is fitted with a flow regulator to restrict the water flow to 8 litres per minute. Minimum working pressure required is 0.5bar.

The tap is also fitted with a special cartridge that allows you to limit both the flow rate (should water pressure be too strong) & the hot water temperature (should temperature be dangerously high). The opportunity to limit the temperature is particularly useful if unsupervised young children are using this fitting.

Fittings are supplied with both limiters in the fully open position. Should you wish to limit either flow rate or temperature it is first necessary to remove the handle. This is done by loosening the handle grub screw using a allen key. Access the grub screw by removing the rubber bung in the handle. Adjustments to the flow limiter can now be made. See diagram for reference. To adjust the temperature limiter it is necessary to first unscrew the domed cover cap beneath the handle then the brass cartridge retainingnut (30mm spanner required). To make adjustments to the temperature limiter lift the purple cover on the cartridge and reposition it in the required limiting position. See diagram for reference.

Limiters position	0	1	2	3	4	5	6
Flow reduction	0%	5%	12%	25%			
Temperature reduction	0%	3%	10%	20%	30%	40%	50%

