

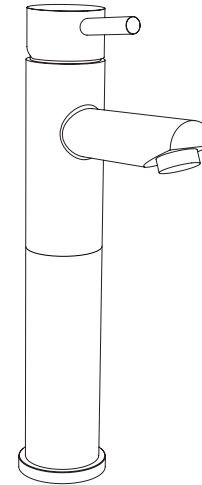


## TALL BASIN MIXER Installation & aftercare instructions

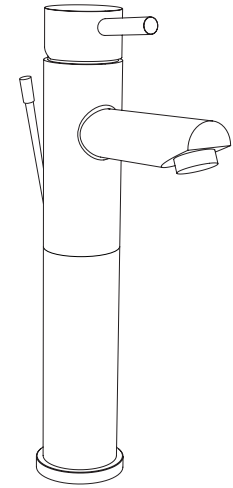
With & without pop up waste

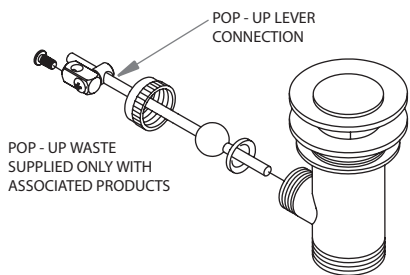
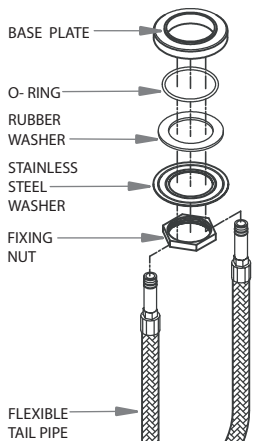
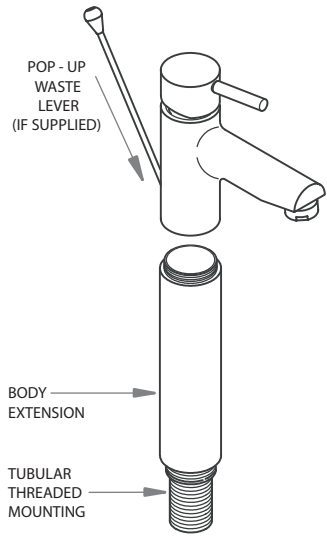
Please retain for future reference

**STORM**  
T225202



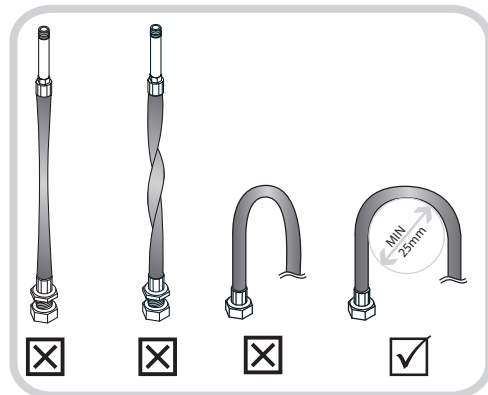
**STORM**  
T225002





## INSTALLATION PROCEDURE

1. Prior to installation flush out the pipe work to remove debris & then ensure that the water supply is turned off.
2. Refer to diagram & check that all components are present. **If the model includes a body extension refer to the instructions on the opposite page before continuing.**
3. Unscrew the main mixer body from the extension section & fit the flexible hoses to the basin mixer body using an appropriate spanner, making sure that you do not over tighten.
4. Reassemble the body & extension section.
5. Attach the tubular threaded mounting to the base of the assembled body. The larger diameter / shorter threaded section should be used for this (see diagram).
6. Fit the mixer body to the basin using the rubber washer, metal washer and brass nut in the order indicated in the drawing. **DO NOT** over-tighten as this may damage the basin. Remember to install the O-ring between the mixer body & the basin.
7. Connect the pop-up waste mechanism (if supplied) as indicated in the diagram. The main rod supplied is in two sections & should be screwed together. The base of the plug should be adjusted to allow for a smooth operation. The base of the plug should also be adjusted to allow it to open sufficiently for wastewater to escape. Do not adjust such that the waste sits too high in the open position as this may cause the mechanism to stick.
8. Connect the water supply to the flexible hoses. Hot supply should always be connected to the left hose (Flexible hose 1 in the diagram).
9. Fully open mixer on both hot & cold sides & allow water to run for approximately one minute to further flush the system.
10. Check all connections to ensure there are no leaks.

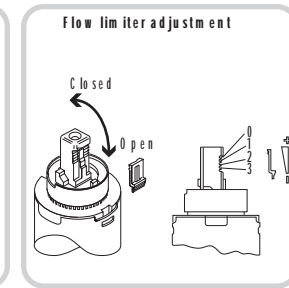
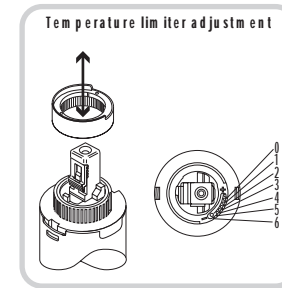


## FLOW & TEMPERATURE LIMITER

This mixer is fitted with a special cartridge that allows you to limit both the flow rate (should water pressure be too strong) & the hot water temperature (should temperature be dangerously high). The opportunity to limit the temperature is particularly useful if unsupervised young children are using this fitting.

Fittings are supplied with both limiters in the fully open position. Should you wish to limit either flow rate or temperature it is first necessary to remove the handle. This is done by loosening the handle grub screw using a allen key. Access the grub screw by removing the rubber bung in the handle. Adjustments to the flow limiter can now be made. See diagram for reference. To adjust the temperature limiter it is necessary to first unscrew the domed cover cap beneath the handle then the brass cartridge retaining nut (30mm spanner required). To make adjustments to the temperature limiter lift the purple cover on the cartridge and reposition it in the required limiting position. See diagram for reference.

Limiter position	0	1	2	3	4	5	6
Flow reduction	0%	5%	12%	25%			
Temperature reduction	0%	3%	10%	20%	30%	40%	50%



## AFTERCARE INSTRUCTIONS

Whilst this item has a high quality durable finish, it should nevertheless be treated with care. Surfaces should be cleaned using only a soft damp cloth and clean water & dried using a soft cotton cloth. Bath cleaning products, even non-scratch ones could damage the finished surface.

## 10-YEAR GUARANTEE

We have complete confidence in this Roper Rhodes product and as such it is offered with a 10-year guarantee against defects in manufacture. The guarantee requires that this product be used in the manner for which it was intended and that it is installed & maintained in accordance with the fitting instructions and local water bylaws. The guarantee covers products in domestic use only. The guarantee is invalidated should the mixer be damaged by water borne debris. Make sure that supply pipes are clear of any debris prior to installation, this is particularly important on new plumbing installations. In the unlikely event that this product should fail during the guarantee period we will either replace the faulty part or the complete unit as appropriate.