

Product code
T211102

Zeal Basin Mixer

Installation & aftercare instructions
Please retain for future reference



ROPER RHODES

Customer Service

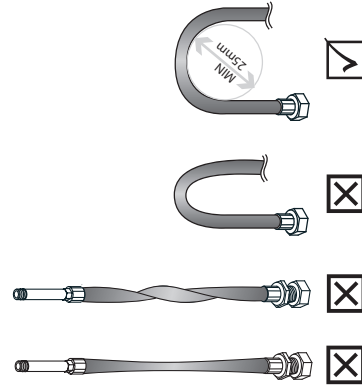
Tel: 01225 303 900 Fax: 01225 448 877

Email: sales@roperrhodes.co.uk
www.roperrhodes.co.uk

Roper Rhodes Limited
Brassmill Lane Trading Estate, Bath, BA1 3JF

Installation Procedure:

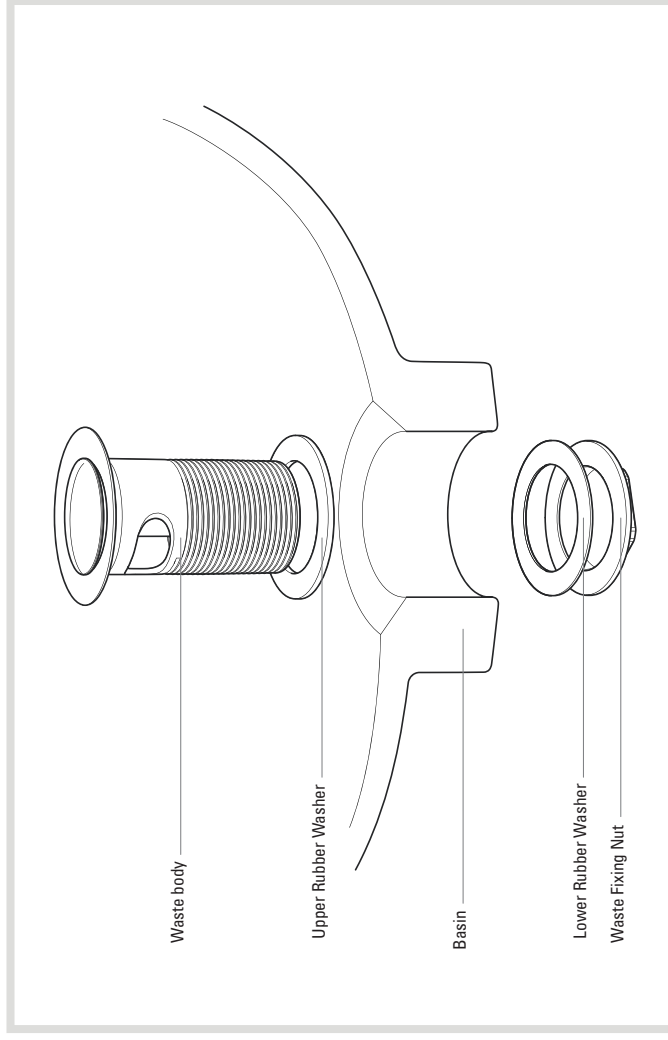
- ① Prior to installation flush out the pipe work to remove debris and then ensure that the water supply is turned off.
- ② Refer to diagram and check that all components are present.
- ③ Fit the flexible tail hoses to the basin mixer body using an appropriate spanner, making sure that you do not over tighten.
- ④ Fit the mixer body to the basin using the supplied washers, and fixing ring in the order indicated in the drawing. Screw the fixing bolts through the fixing ring to secure. **DO NOT** over-tighten as this may damage the basin. Remember to install the rubber o-ring between the mixer body & the basin.
- ⑤ Connect the water supply to the flexible hoses. Hot supply should always be connected to the left hose (Flexible hose 1 in the diagram).
- ⑥ Fully open mixer on both hot & cold sides & allow water to run for approximately one minute to further flush the system.
- ⑦ Check all connections to ensure there are no leaks.



Click Waste Installation:

- ① Fit the upper rubber washer to the waste body and insert the assembly into the basin waste hole as shown below.
- ② On the underside, fit the additional rubber washer and fixing nut.

- ③ Firmly screw the fixing nut tight to the basin. Care however must be taken not to over tighten the waste and crack the basin. Check to ensure there are no leaks when the basin is filled with water. Silicone sealant may be applied to the underside of the upper washer for an additional seal if necessary.



Aftercare Instructions

Whilst this item has a high quality durable finish, it should nevertheless be treated with care. Surfaces should be cleaned using only a soft damp cloth and clean water & dried using a soft cotton cloth. Bath cleaning products, even non-scratch ones could damage the finished surface.

10 Year Guarantee

We have complete confidence in this Roper Rhodes product and as such it is offered with a 10-year guarantee against defects in manufacture. The guarantee requires that this product be used in the manner for which it was intended and that it is installed & maintained in accordance with the fitting instructions and local water bylaws. The guarantee covers products in domestic use only. The guarantee is invalidated should the mixer be damaged by water borne debris. Make sure that supply pipes are clear of any debris prior to installation, this is particularly important on new plumbing installations. In the unlikely event that this product should fail during the guarantee period we will either replace the faulty part or the complete unit as appropriate.