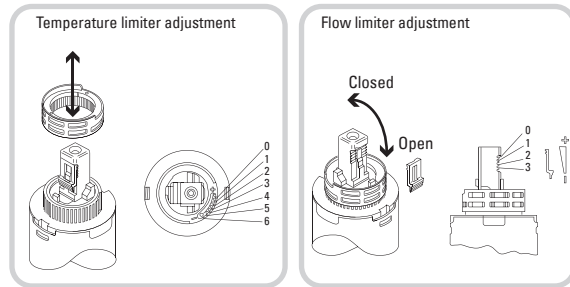


FLOW & TEMPERATURE LIMITER

This mixer is fitted with a special cartridge that allows you to limit both the flow rate (should water pressure be too strong) & the hot water temperature (should temperature be dangerously high). The opportunity to limit the temperature is particularly useful if unsupervised young children are using this fitting.

Fittings are supplied with both limiters in the fully open position. Should you wish to limit either flow rate or temperature it is first necessary to remove the handle. This is done by loosening the handle grub screw using an allen key. Access the grub screw by removing the rubber bung in the handle. Adjustments to the flow limiter can now be made. See diagram for reference. To adjust the temperature limiter it is necessary to first unscrew the domed cover cap beneath the handle then the brass cartridge retaining nut (30mm spanner required). To make adjustments to the temperature limiter lift the purple cover on the cartridge and reposition it in the required limiting position. See diagram for reference.

Limitier position	0	1	2	3	4	5	6
Flow reduction	0%	5%	12%	25%			
Temperature reduction	0%	3%	10%	20%	30%	40%	50%



AFTERCARE INSTRUCTIONS

Whilst this item has a high quality durable finish, it should nevertheless be treated with care. Surfaces should be cleaned using only a soft damp cloth and clean water & dried using a soft cotton cloth. Bath cleaning products, even non-scratch ones could damage the finished surface.

10-YEAR GUARANTEE

We have complete confidence in this Roper Rhodes product and as such it is offered with a 10-year guarantee against defects in manufacture. The guarantee requires that this product be used in the manner for which it was intended and that it is installed & maintained in accordance with the fitting instructions and local water byelaws. The guarantee covers products in domestic use only. The guarantee is invalidated should the mixer be damaged by water borne debris. Make sure that supply pipes are clear of any debris prior to installation, this is particularly important on new plumbing installations. In the unlikely event that this product should fail during the guarantee period we will either replace the faulty part or the complete unit as appropriate.



ROPER RHODES

Customer Services, Roper Rhodes Ltd, Brassmill Lane Trading Estate, Bath, BA1 3JF

TEL: 01225 303 900 | FAX: 01225 448 877

Email: sales@roperrhodes.co.uk | Web: www.roperrhodes.co.uk

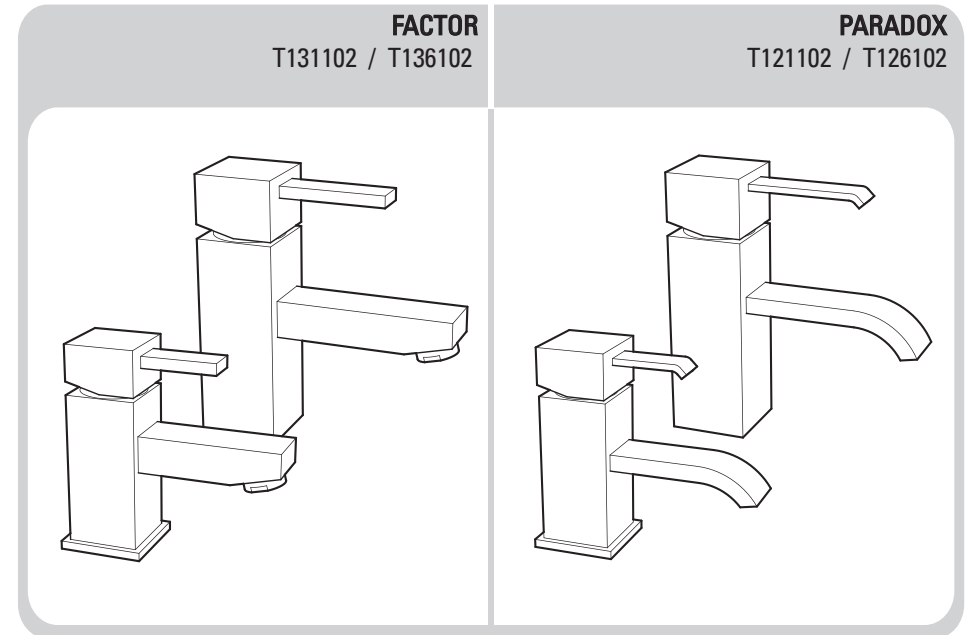


ROPER RHODES

BASIN MIXER & MINI MIXER (with click waste)

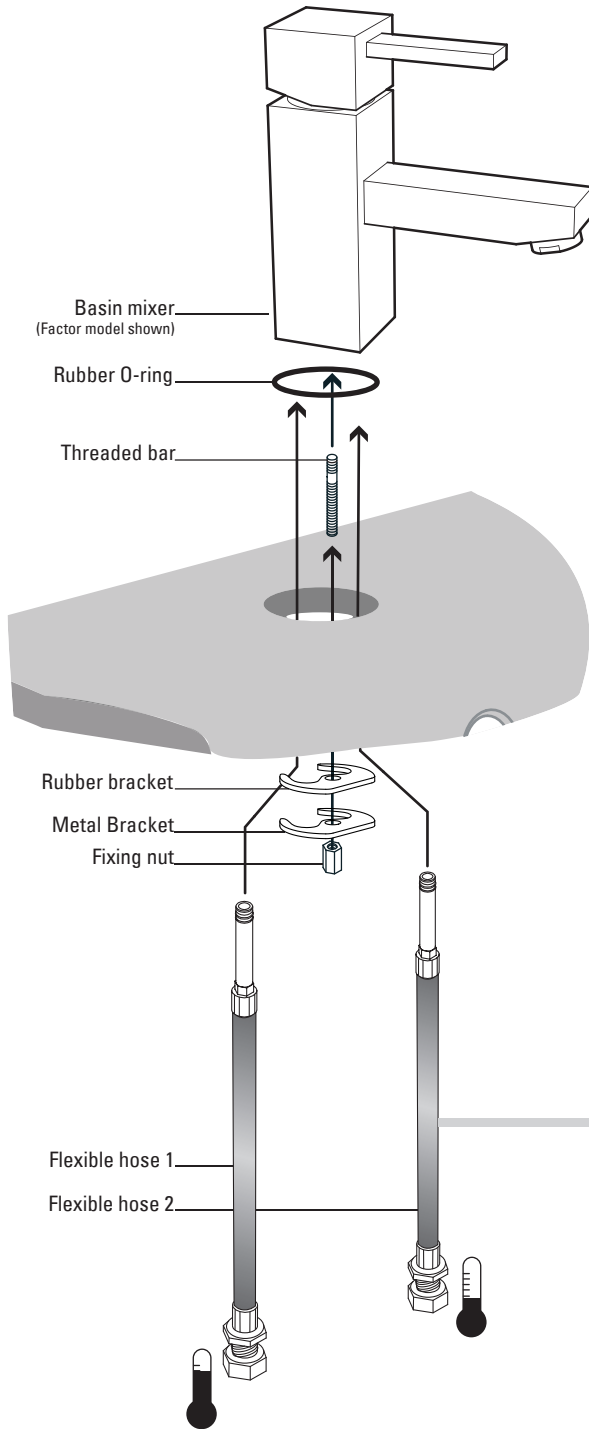
Installation & aftercare instructions

Please retain for future reference

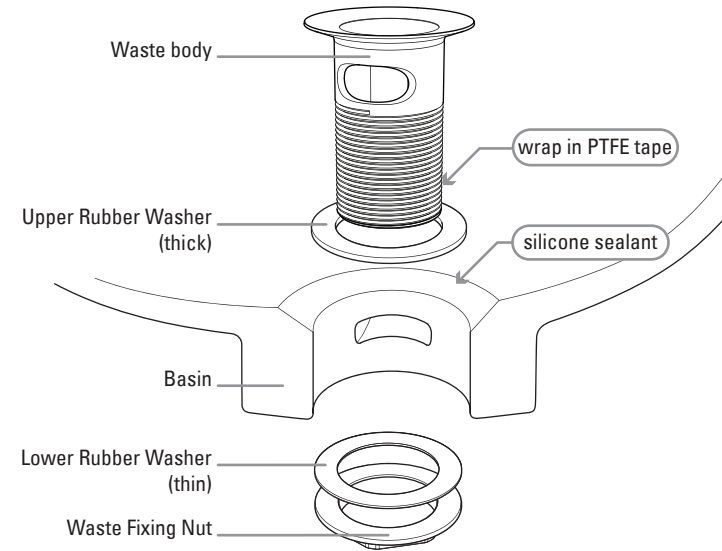


INSTALLATION PROCEDURE

1. Prior to installation flush out the pipe work to remove debris & then ensure that the water supply is turned off.
2. Refer to diagram & check that all components are present.
3. Fit the flexible tail hoses to the basin mixer body using an appropriate spanner, making sure that you do not over tighten.
4. Screw the threaded bar into it's location inside the mixer body using of a flat head screwdriver to tighten.
5. Fit the mixer body to the basin using the supplied rubber bracket, metal bracket and fixing nut in the order indicated in the drawing, **DO NOT** over-tighten as this may damage the basin. Remember to install the O-ring between the mixer body & the basin.
6. Connect the water supply to the flexible hoses. Hot supply should always be connected to the left hose (Flexible hose 1 in the diagram).
7. Fully open mixer on both hot & cold sides & allow water to run for approximately one minute to further flush the system.
8. Check all connections to ensure there are no leaks.



FITTING CLICK WASTE



Due to the inherent tolerances in manufacture of ceramic basins it is recommended that a suitable silicone sealant is used between the upper rubber washer and the basin to achieve a water-tight seal.

PTFE tape should be used around the thread of the waste to prevent leaks.

GENERAL NOTES

This mixer should be installed in accordance with water regulations. Approved check valves should be fitted where required. For further details please contact your local water authority. Should the mixer fail to operate effectively it may be that there is insufficient water pressure. Similarly, hot & cold water supplies should be relatively balanced for optimum performance. A reputable plumber will be able to advise on each of these issues.