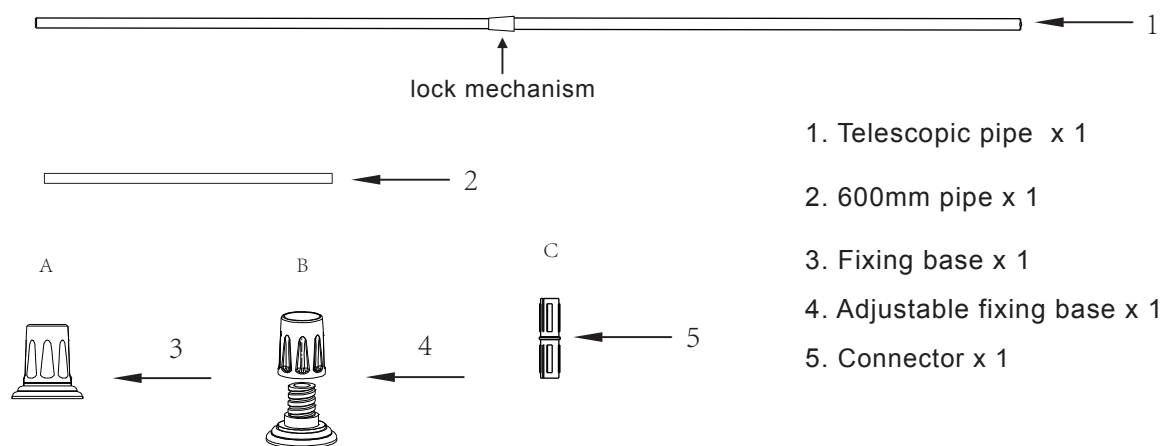


Installation instructions

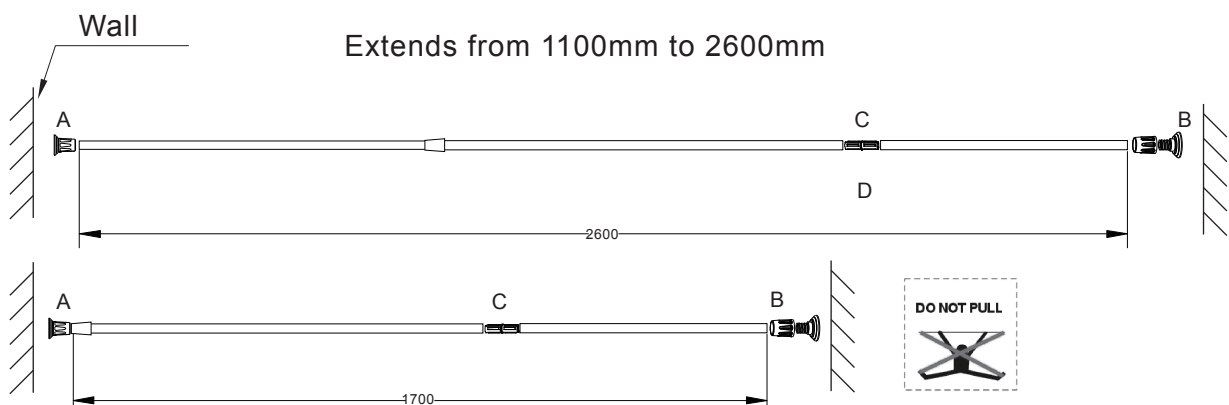


Thank you for purchasing this Victorian Plumbing product. Please follow these care instructions to ensure your product retains its high quality finish
- **and retain this leaflet for future reference.**

1. Identify all components are present prior to installation
2. Put telescopic rod between the walls, and position where required, adjust the fixing bases and lock mechanism to ensure pole is firmly fitted and braced between the two walls



1. Telescopic pipe x 1
2. 600mm pipe x 1
3. Fixing base x 1
4. Adjustable fixing base x 1
5. Connector x 1



Victorian Plumbing

Diamond House. 41, Stephenson Way. Formby Business Park Formby. England. L37 8EG

Tel: 0044 800 862 0878

Website: www.victorianplumbing.co.uk