

## **AFTERCARE INSTRUCTIONS**

Your fitting has a high quality finish and should be treated with care to preserve the visible surfaces.

All surface finishes will wear if not cleaned correctly, the only safe way to clean your mixer is to wipe with a soft damp cloth. Stains can be removed using washing up liquid. All bath cleaning powders and liquids will damage the surface of your fitting, even the non-scratch cleaners.

**Bristan recommend E-Cloth for cleaning all of our bathroom & kitchen products. Using just water, E-cloth gives a smear free, deep clean by breaking up and holding dirt, which normal cloths leave behind. Order through your Bristan stockist. (ORDER CODE: ECLOTH)**



**NOTE: Never use abrasive detergents or disinfectants or those containing alcohol, hydrochloric acid or phosphoric acid.**

In the interests of continuous product development we reserve the right to alter specification as necessary

**PRODUCT CODE: SST1000-L**

**PRODUCT IDENTIFICATION CODE LASER ETCHED ON PRODUCT**  
Installer please fill in code here. \_\_\_\_\_ (Where applicable)

Bristan Group Limited  
Birch Coppice Business Park  
Dordon  
Tamworth  
Staffordshire  
B78 1SG  
UK

A Masco Company

Website: [www.bristan.com](http://www.bristan.com)  
Telephone: +44 (0) 844 701 6274  
Facsimile: +44 (0) 844 701 6275  
Email: [enquire@bristan.com](mailto:enquire@bristan.com)

(FI SST1000-L) (Rev.D3)

# BRISTAN

## **SOLO Mixing Tap**

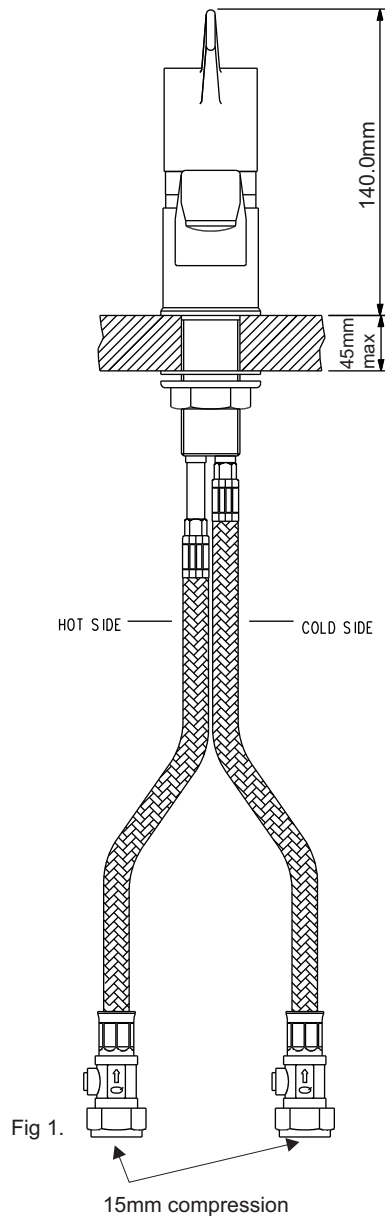
### **SST1000-L**

## **Fitting Instructions**

**Please keep these instructions for future reference and request of replacement part**

**800114C**

# SOLO MIXING TAP



## GUARANTEE - SERVICE POLICY (Available in UK and ROI only)

This product is guaranteed against faulty materials and workmanship for 12 months from date of purchase. For the guarantee to be valid, the unit must be installed by a competent person, in accordance with the instruction booklet.

Any part found to be defective during the guarantee period, will (at our option) be repaired or replaced, free of charge, provided the unit has been installed, and properly used in accordance with the instruction booklet. This guarantee does not affect your statutory rights.

Please have the following handy: Model type, Date of purchase, Product number (if available).

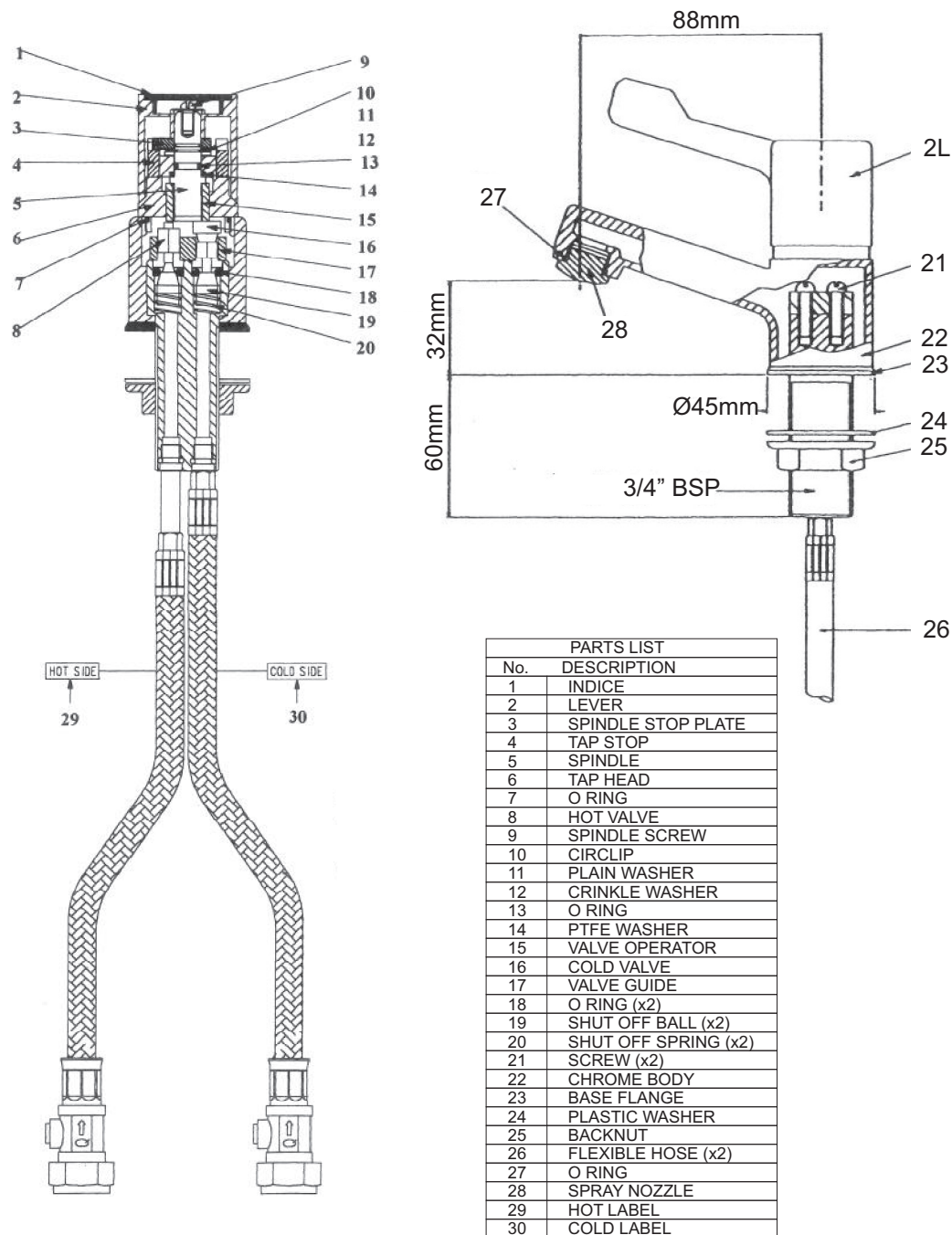
The Customer Service Department will attempt to diagnose the cause of the fault and advise the necessary action to resolve the problem over the phone. If the fault can not be resolved and a service call is required, a Site Visit Request form will be sent to you to complete and return.

Where applicable a fixed fee payment for parts and/or labour will be levied. The cost incurred and payment methods will be advised over the phone and on the Site Visit Request form. A completed form, along with payment (if applicable) must be received before the Service callout can be arranged.

If the fault is not product related or is a component not of our manufacture, a fixed fee will be made to cover Site visit costs. Additional costs for parts used to rectify related problem may be imposed.

During the visit, yourself or a responsible person should be present at all times. Charges will be made if the Service Engineer or Agent can not gain site access at the prearranged time.

Ensure water and/or electricity supplies have adequate isolation to the unit. If the unit is concealed, serviceable access should be available. If servicing difficulties arise from not making the provisions detailed, additional time related costs or a recall charge will be imposed.



## SPECIFICATION

The SoloTAP is a single sequential control spray mixing tap giving COLD and HOT within ½ turn of the knob or lever.

It has been designed to conform to BS 5779.

The SoloTAP is fitted with stainless steel flexible hoses which suit various inlet positions.

Isolating adapters are provided as standard to connect the SoloTAP to 15mm copper pipe

Operating on unequal pressures:

Minimum head pressure: 0.2 bars (2 metre head)

Maximum head pressure: 5 bars (50 metre head)

Outlet flow: 1.8 to 3.6 litres/min approx.

Fitted in a system where pressure drops are unlikely should give a stable temperature.

## INSTALLATION REQUIREMENT NOTES:

### IRN R001

See text of entry for Installation Requirement Notes.

### IRN R006

If this tap or combination tap is installed so that its base is no lower than the spillover level of the receiving vessel, (for example, a sink or washbasin), a type AUK3 air gap is achieved which permits installation of tap in any premises where backflow protection up to Fluid Category 5 is required at the tap.

### IRN R010 Schedule 2-15 (1)

Water supplies shall be at reasonably balanced pressures from a common source (hot and cold supplies both from the same storage or both from a supply pipe). Where the fitting is supplied from unbalanced supplies (hot and cold supplies from separate sources) a 'Listed single Check Valve or some other no less effective backflow prevention device shall be fitted immediately upstream of both hot and cold water inlets.

## OPERATION

Turn the handle in an anti-clockwise direction. This gives cold water flow. Further rotation of the handle gives a warmer flow and fully on gives hot.

Please note this tap turns half way.

The maximum temperature can be set by this stop. See maximum temperature stop.

## INSTALLATION

The SoloTAP comes complete with stainless steel flexible hoses with 15mm compression fit with isolation.

- 1) Before connecting the hot and cold supply pipes flush through thoroughly to remove any debris.
- 2) When fitting the tap both the hoses need to be removed. Unscrew the hot side before the cold side. They are marked with red and blue labels for identification. When re-fitting replace the cold side first.
- 3) When the tap is viewed from the front the hot supply is on the left and the cold supply on the right.
- 4) Fit the tap to the basin as shown (Fig 1) Take care not to overtighten the plastic backnut.
- 5) The flexible hoses can easily be moved to connect onto 15mm copper pipe.
- 6) After installing the tap both the isolation adapters should be turned to the closed position
- 7) The tap lever should be turned anti-clockwise to the full open position.
- 8) Adjust the hot flow by the isolation adapter to give a spray pattern (Fig 4). This is easily achieved by turning the isolating adapter to full flow (Fig 3) and then reducing to the curved spray pattern as shown in Fig 4.
- 9) Turn the handle clockwise to reduce hot flow to a trickle.
- 10) Then open the cold flow isolation adapters to give a curved spray pattern again as shown in Fig 4.

Your SoloTAP is now ready for use.

## MAXIMUM TEMPERATURE SETTING

We recommend that after installation the SoloTAP should be tested at the fully open position for the maximum outlet temperature. To adjust the outlet water temperature follow the steps below:

Prise out indice then remove screw.

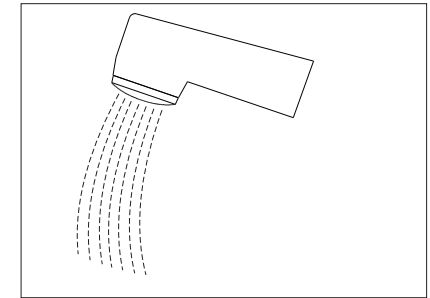
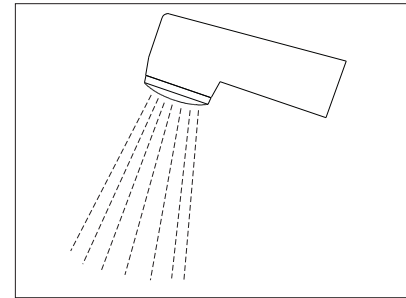
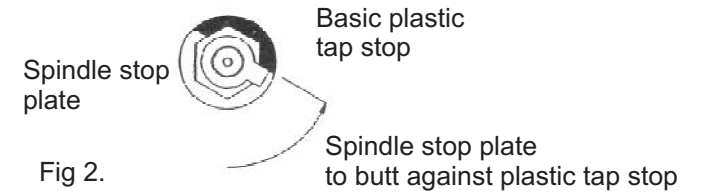
Turn lever anti-clockwise to give required maximum outlet temperature.

At this point pull off lever.

Remove spindle stop plate from the spindle and replace on the spindle ensuring that the stop plate butts against the black plastic tap stop (Fig 2)

Now check the outlet temperature to ensure no movement of the spindle has occurred during this setting.

Re-fit lever.



## CLEANING / MAINTENANCE

The spray nozzle should be cleaned periodically to remove scale or other particles which can reduce the performance of the tap.

This can be removed by using a 0.820" (21mm) A/F spanner

The chrome surfaces maybe cleaned using a soft damp cloth and mild detergent only. Abrasive or solvent cleaning fluids are not recommended.

Isolate both hot and cold supplies at mains.

Prise out indice then remove screw and pull off lever.

From inside the tap body remove the head with 0.920" A/F - 1/2" B.S.W. Spanner

From inside the tap body remove the hot valve and the cold valve from the valve guide.

Note: please ensure they are re-assembled in the same ports as they control the sequential mixing of the tap.

Unscrew the stainless steel screws to remove the valve guide and prise out both orings, shut off balls and springs.

See maximum temperature setting to set the maximum outlet temperature after re-assembly.