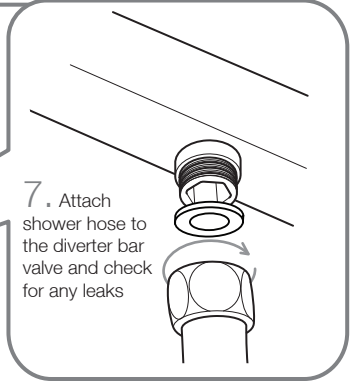
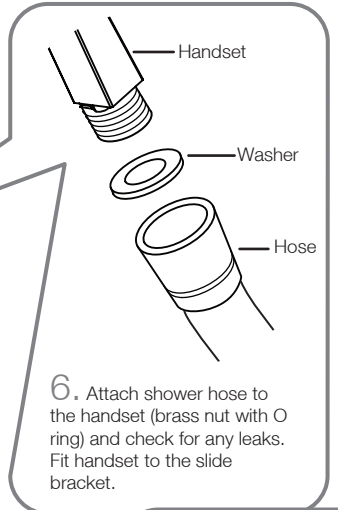
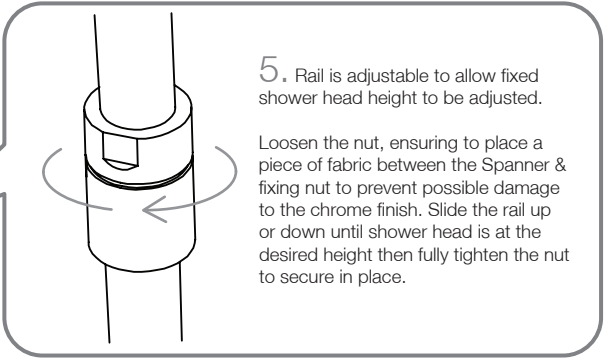
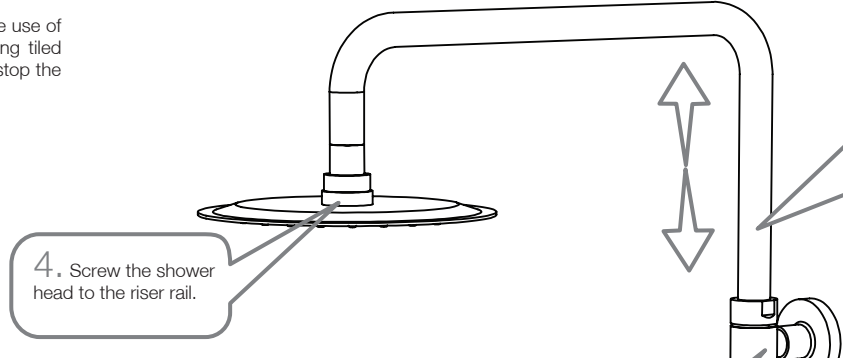
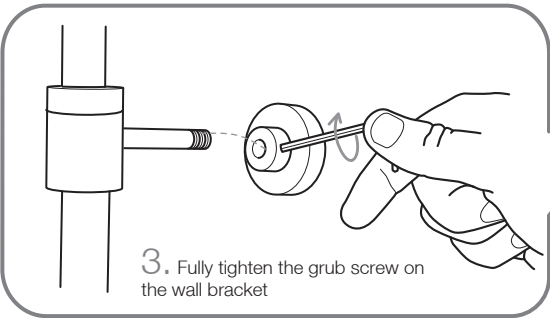
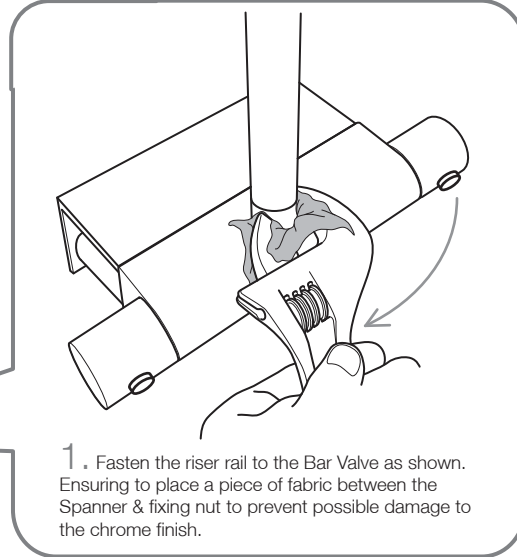
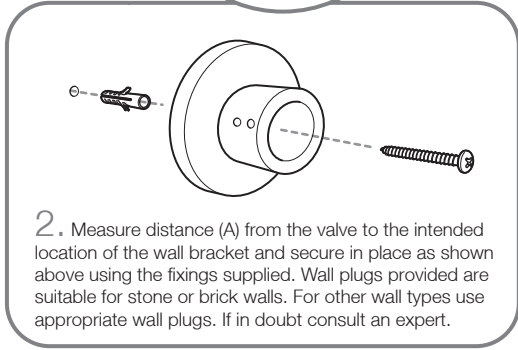
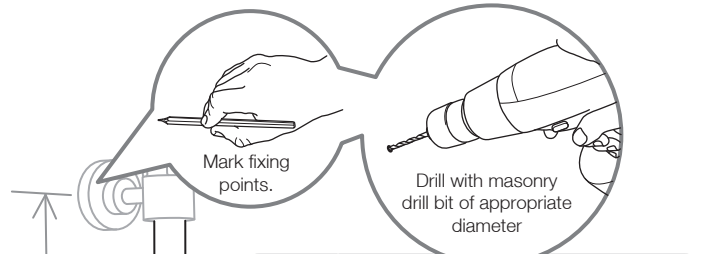


**IMPORTANT**

Wear suitable eye protection when drilling. Take care when using power tools near water - the use of a residual current device (RCD) is advised. Beware of hidden cables or pipes. When drilling tiled surfaces, a piece of masking tape applied to the wall before marking out the fixing holes will stop the drill wandering.



**CLEANING**  
 Whilst all these items have a high quality durable finish, they should nevertheless be treated with care.

Surfaces should be cleaned using only a soft damp cloth and clean water then dried using a soft cotton cloth.

Bath cleaning products, even non-scratch ones, could damage the finished surface.

**NOTE**  
 Use PTFE tape where necessary to prevent possible leaks on threaded fastenings