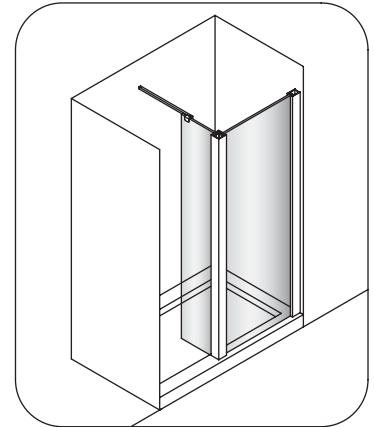
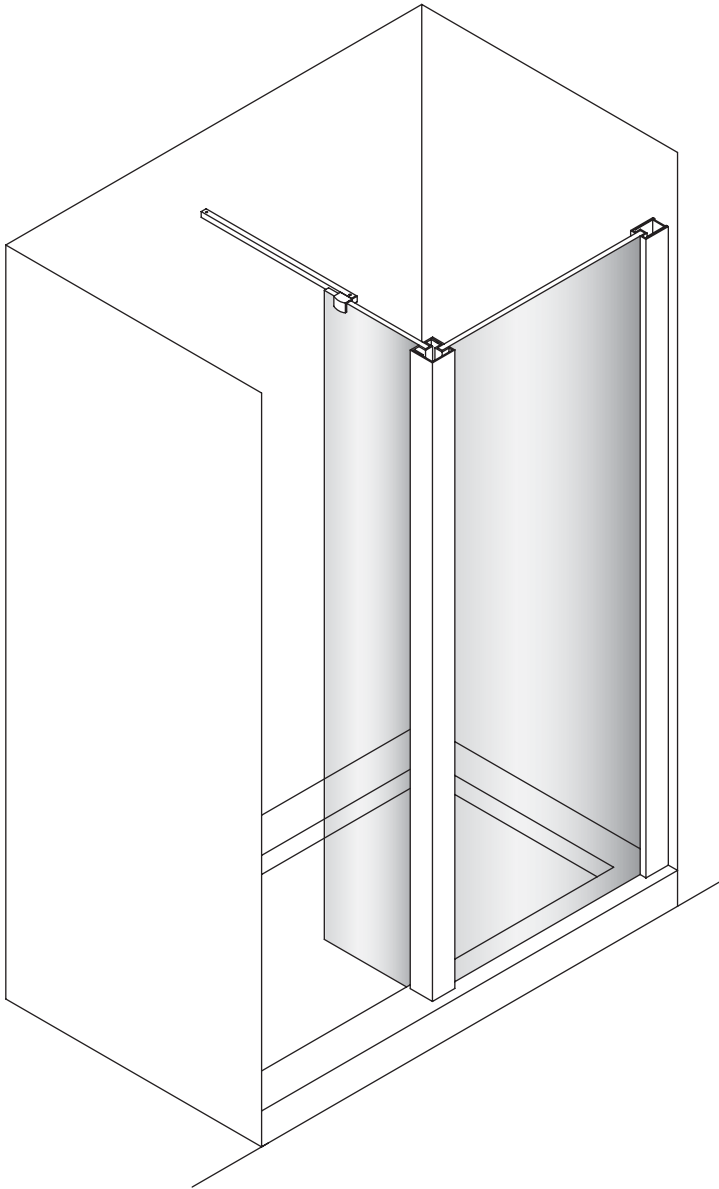
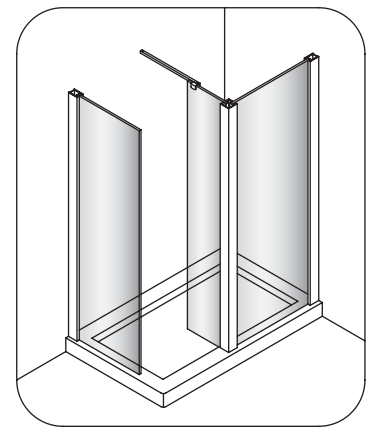


DESIGN WALK IN ENCLOSURE

DWKSC1400 DWESC0550
DWKSC1700



WALK IN ENCLOSURE



WALK IN ENCLOSURE &
WALK IN END PANEL

INSTALLATION INSTRUCTIONS



IMPORTANT - Please read before installation

Please read these instructions carefully before starting installation and keep in a safe place for future reference.

Check the contents of the pack carefully before installation. Simpsons will not be held responsible for any de-fit / re-fit costs where faulty product has been fitted.

If any fault is found with materials or workmanship, it must be reported immediately to the manufacturer. Remedial action will be taken, based on information received, on condition that:

1. Full details are supplied to the manufacturer;
2. The enclosure has not been modified or tampered with;
3. The manufacturer is informed of any damage/shortages prior to installation.

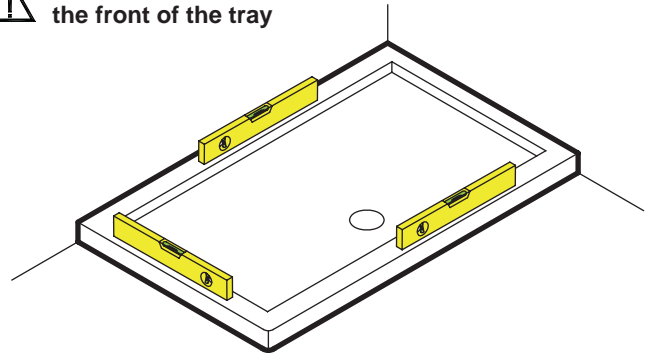
We do not accept responsibility for any problems that may occur through incorrect installation.

The success of the installation and operation of any shower enclosure is, of course, dependant on the squareness, alignment and construction of the walls to which fixing is to be carried out.

VERY IMPORTANT

You must complete all tiling and grouting, and the shower tray **MUST** be level and fully sealed to the tiles before installation. If you do not fit the enclosure onto a tiled surface, or seal the tiles to the tray before installation, water may soak into the wall behind the wall profiles.

 **Tray must be fitted with the waste towards the front of the tray**



INSTALLATION - Advice and safety

The installation instructions are based on typical use and conditions.

These hints have been prepared for your guidance, you must exercise due care at all times.

For Health and Safety 2 people must carry out the installation of this enclosure.

Handle glass with care. Although the glass supplied is toughened safety glass (to BS6206A0), impacts can damage both the glass and the frame.

Warning!

Please check for any hidden pipes or cables before drilling holes in the wall.

When using power tools always follow the manufacturers user instructions.

If the Framework is sealed to the tray on the inside, any water that may get into the framework will not be able to drain back into the tray, this may cause the enclosure to leak.

Leave the silicone sealant to dry for 24 hours before using the enclosure.

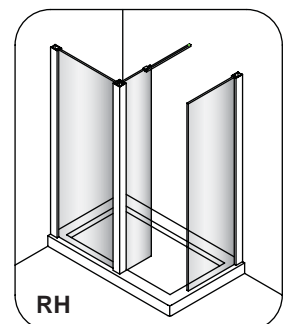
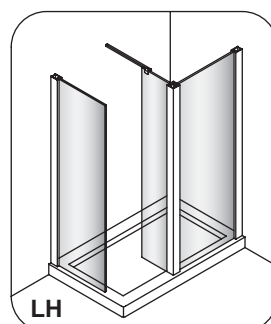
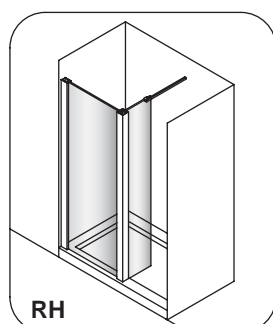
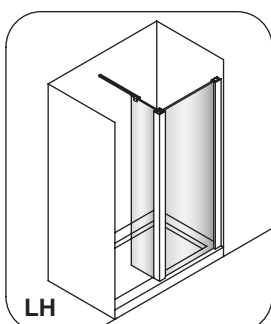
CARE AND CLEANING

Do not use solvents or abrasive material or chemicals to clean the enclosure.

Only clean using soapy water and a soft cloth, rinse thoroughly afterwards.

INSTALLATION - Left and Right hand

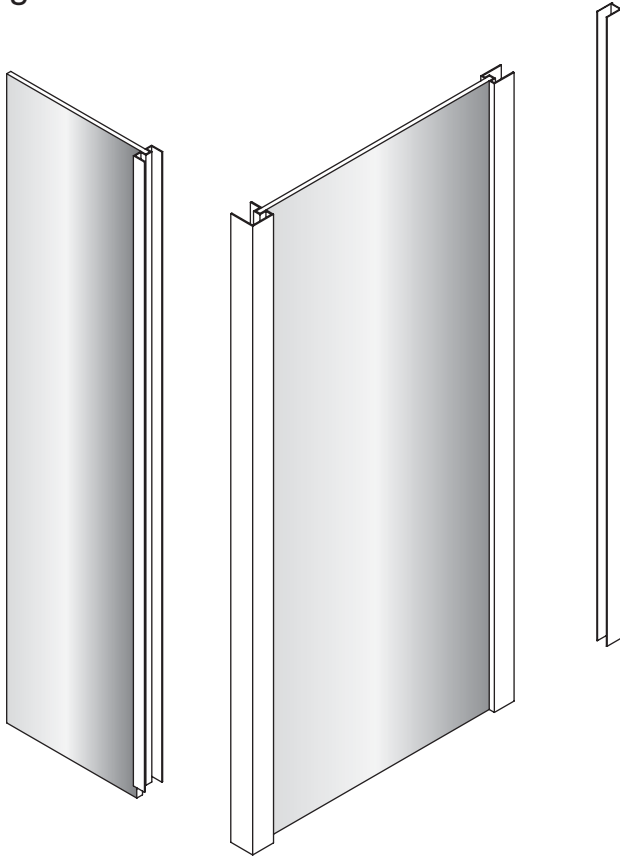
This product is reversible for left or right entry. Please follow the diagram detailed below for your choice of installation.



CONTENTS

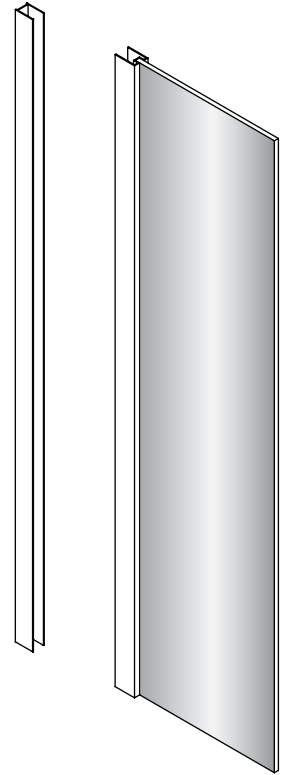
WALK IN ENCLOSURE



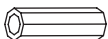




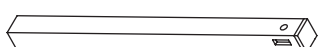


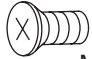

See pages 3 - 5


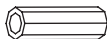





WALK IN END PANEL

See pages 6 - 8



A  M4 *50mm Screw x 5	G  Glass Clamp x 1
B  Wall Plug x 5	H  Mat x 1
C  M4 *12mm Screw x 8	I  Wall Stator x 1
D  Washer x 8	J  Support Bar x 1
E  Cover x 8	K  Allen Key 4mm x 1
F  M5 *14mm Screw x 1	L  Allen Key 3mm x 1

A  M4 *50mm Screw x 4
B  Wall Plug x 4
C  M4 *12mm Screw x 4
D  Washer x 4
E  Cover x 4

Tools and equipment needed

Drill, 6mm Masonry drill bit, 3.2mm General drill bit, Phillips screwdriver, Spirit level, Pencil, Silicone sealant.

WALK IN ENCLOSURE - IN ALCOVE

Step 1 - FITTING AND POSITIONING WALL CHANNEL

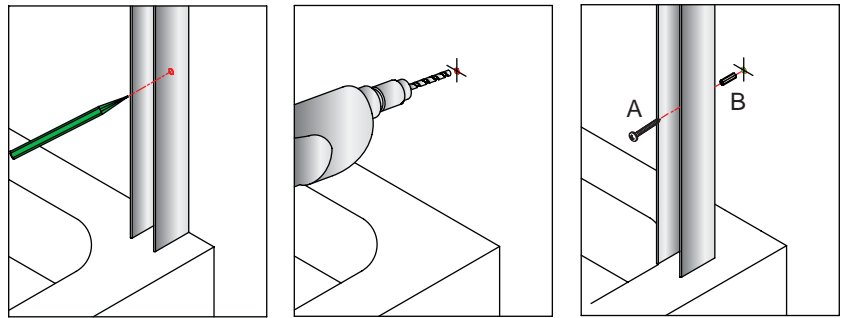
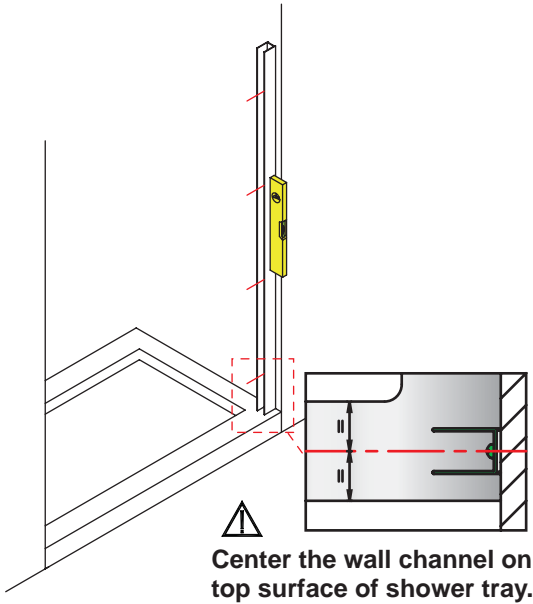
⚠ REFER TO PAGE ONE FOR YOUR CHOICE OF INSTALLATION - LEFT OR RIGHT!

Remove wall channel from the panel frame. Place wall channel in position on the tray (**see left diagram**), use a spirit level to ensure that it is vertical and mark all 4 fixing holes onto the wall (holes inside).

Drill holes in the positions marked using a 6mm masonry drill bit. Insert wall plugs (B) into all of the holes (beyond the thickness of the tile).

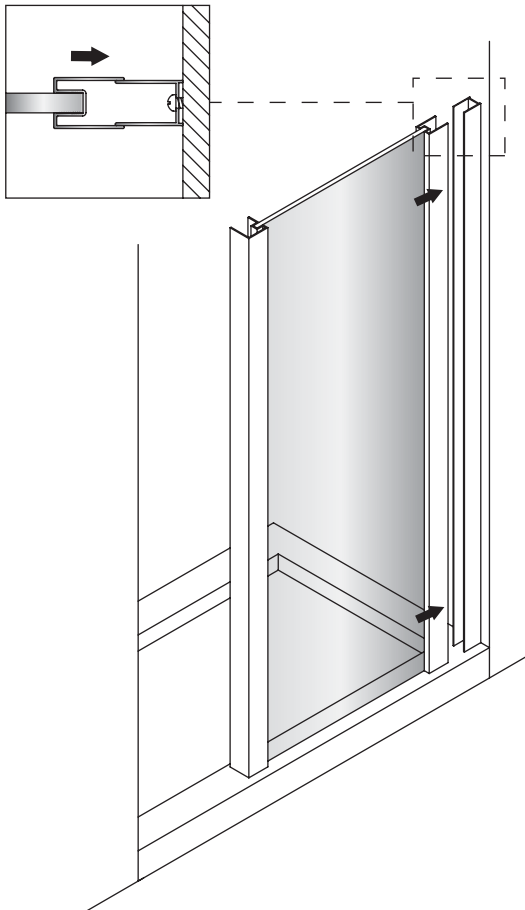
Fix the wall channel to the wall using 4 screws (A).

Note: Inject silicone sealant into the holes before inserting the screws to seal the holes.



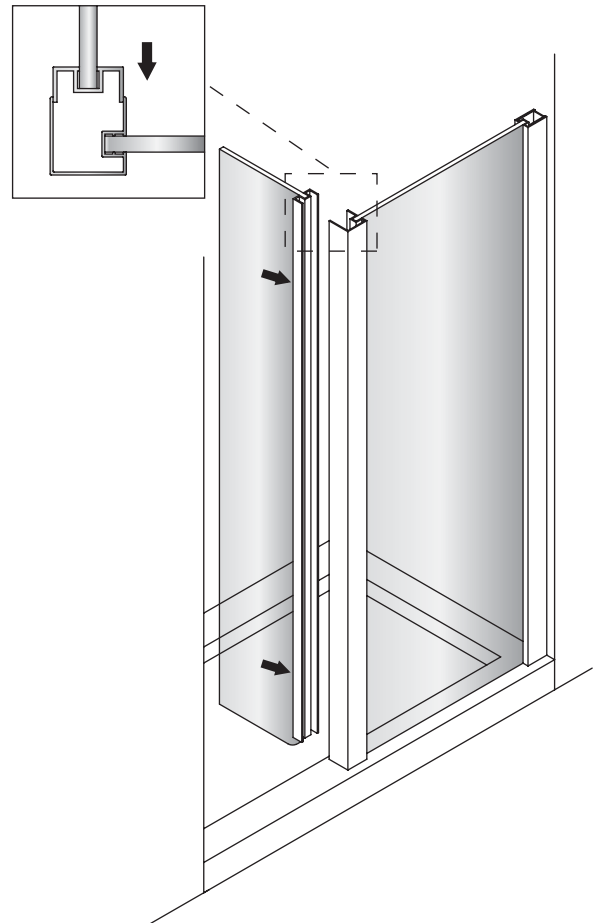
Step 2

Push the panel on to the wall channel.



Step 3

Push the panel into the panel frame.

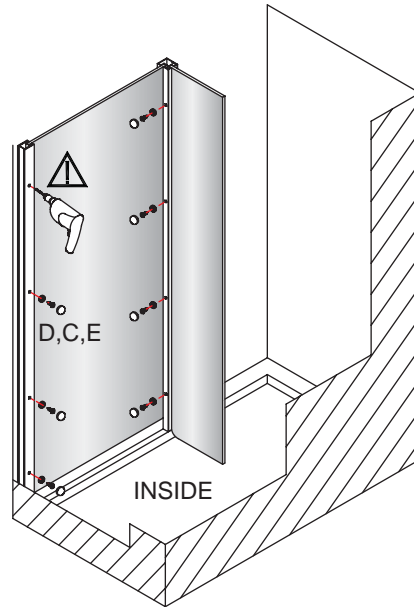
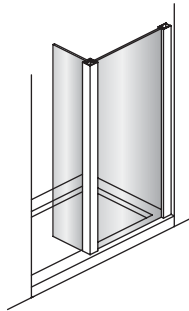


Step 4

Once you have checked that the panels are placed correctly, fix the panels to the wall channel.

⚠ Inside surface of panel frame has predrilled holes.

From inside, drill through the 4 holes in the panel frame into the wall channel using a 3.2mm drill bit. Fix using washers (D), screws (C) and push on the screw covers (E).

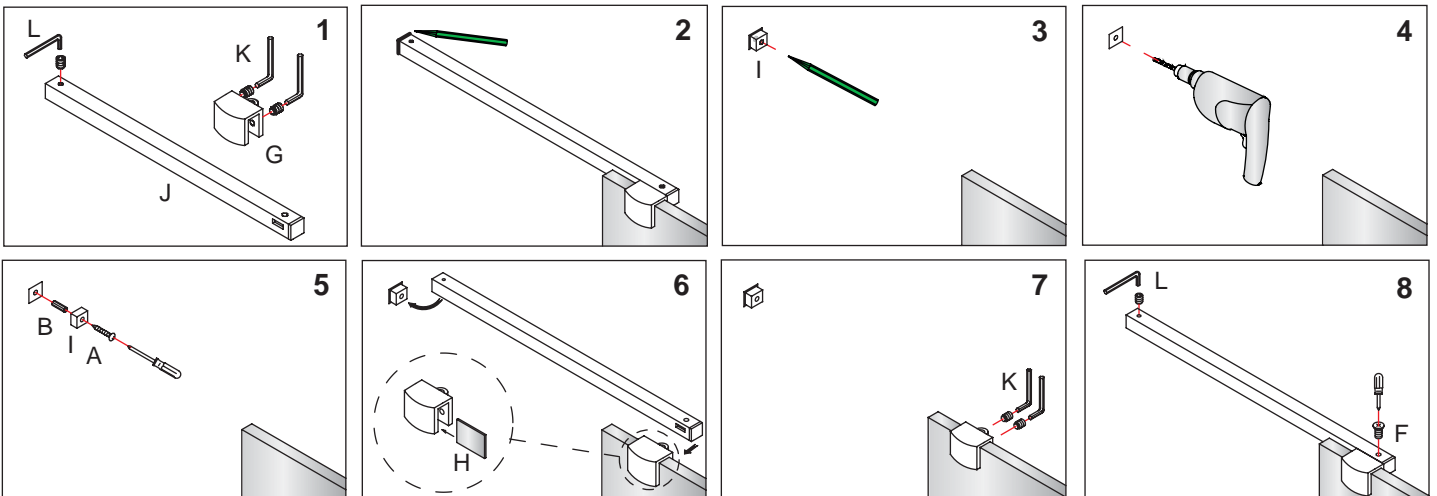


Step 5 - FITTING THE BRACING BAR (LH)

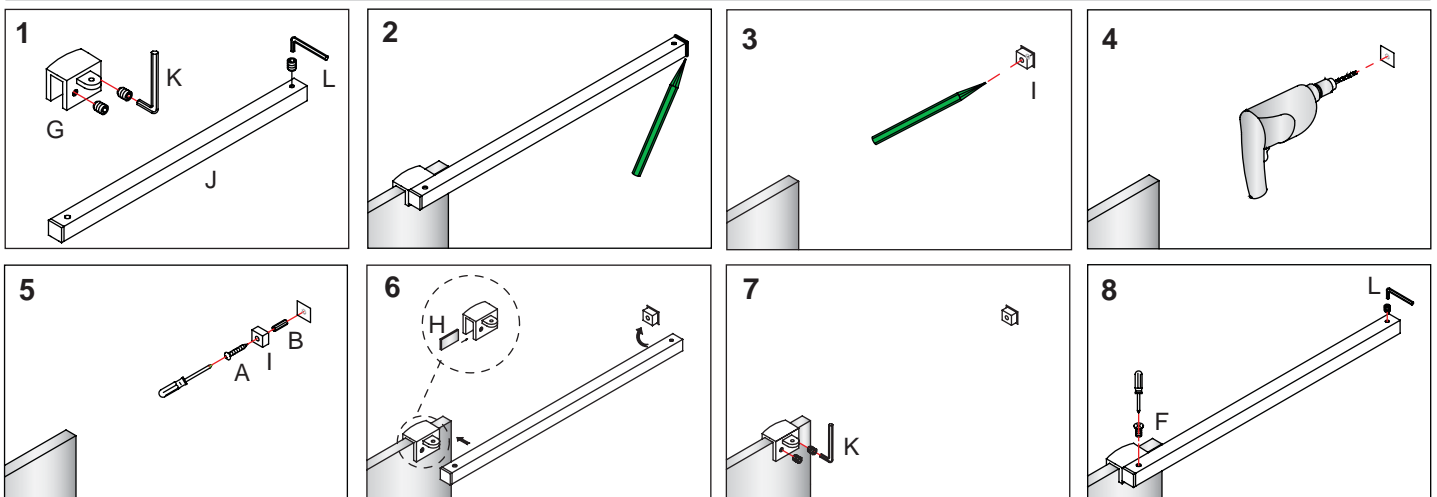
Join parts (G) and (J) together, and place them on the glass.

Place in position, use a spirit level to check the level. Mark the part (J) position on to the wall.

Drill hole in the position marked using a 6mm masonry drill bit. Insert wall plug (B) into the hole. (beyond the thickness of the tile).

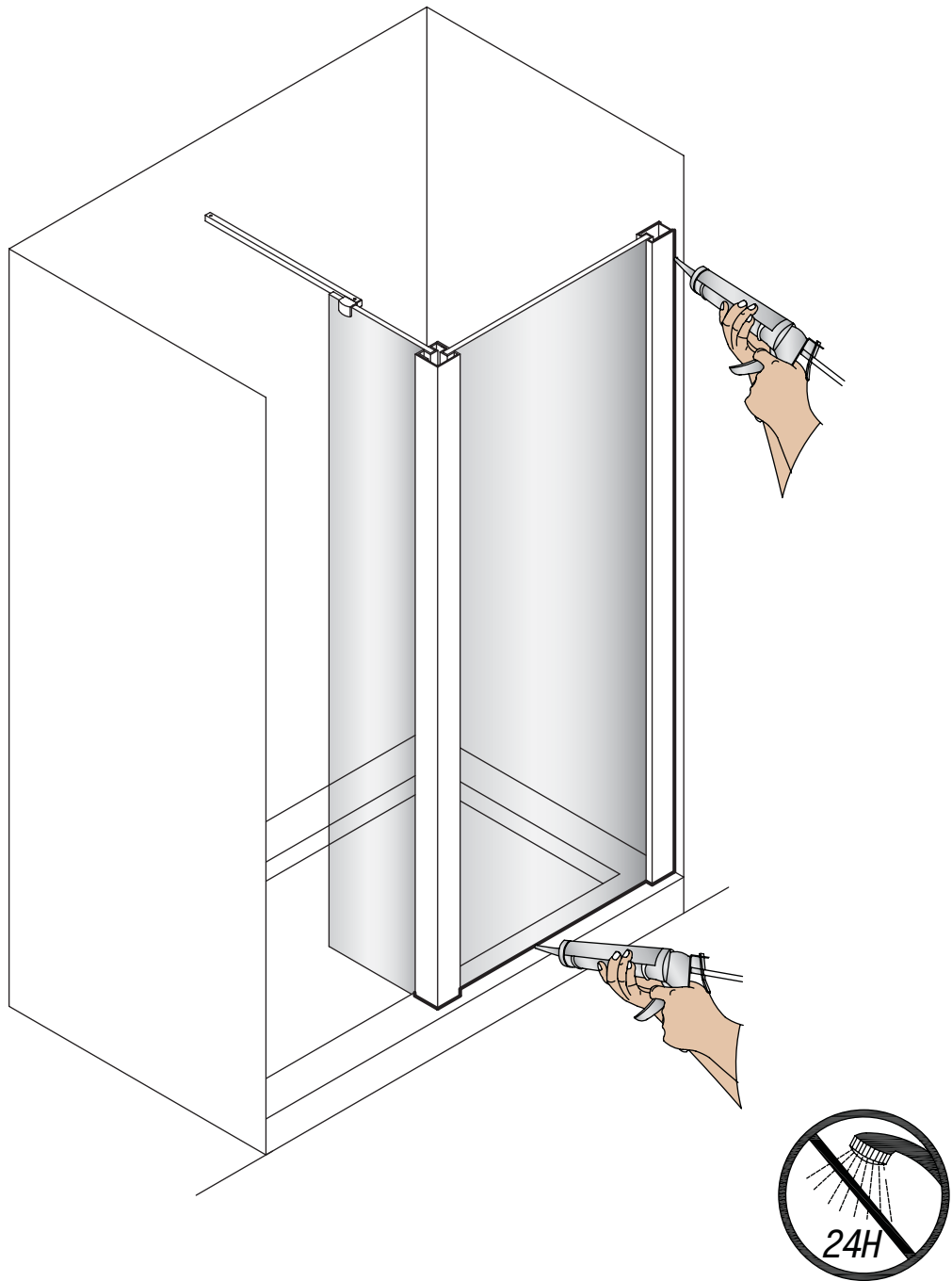


FITTING THE BRACING BAR (RH)



Step 6

Sealing outside: Run a line of silicone sealant from top to bottom down the joint between the wall channels and tiles.
Run a line of silicone sealant 100mm up the joint where the frame slots over the wall channel.
Run a line of silicone sealant along the base in the joint between the bottom of the enclosure and the tray outside only.



WALK IN ENCLOSURE & WALK IN END PANEL

Step 1 - FITTING AND POSITIONING WALL CHANNEL

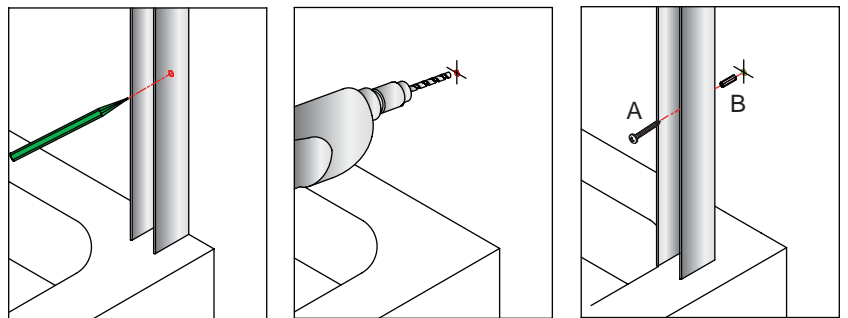
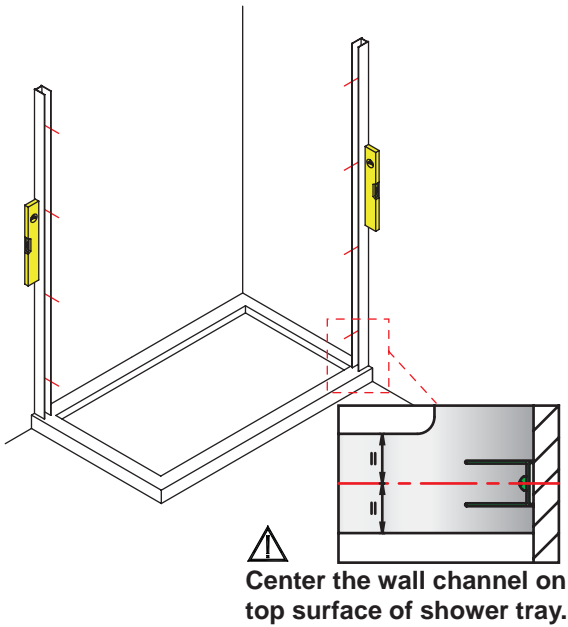
⚠ REFER TO PAGE ONE FOR YOUR CHOICE OF INSTALLATION - LEFT OR RIGHT!

Get the two wall channels separately from the walk in enclosure packing and walk in end panel packing. Place wall channels in position on the tray (see left diagram), use a spirit level to ensure that they are vertical and mark all 8 fixing holes onto the walls (holes inside).

Drill holes in the positions marked using a 6mm masonry drill bit. Insert wall plugs (B) into all of the holes (beyond the thickness of the tile).

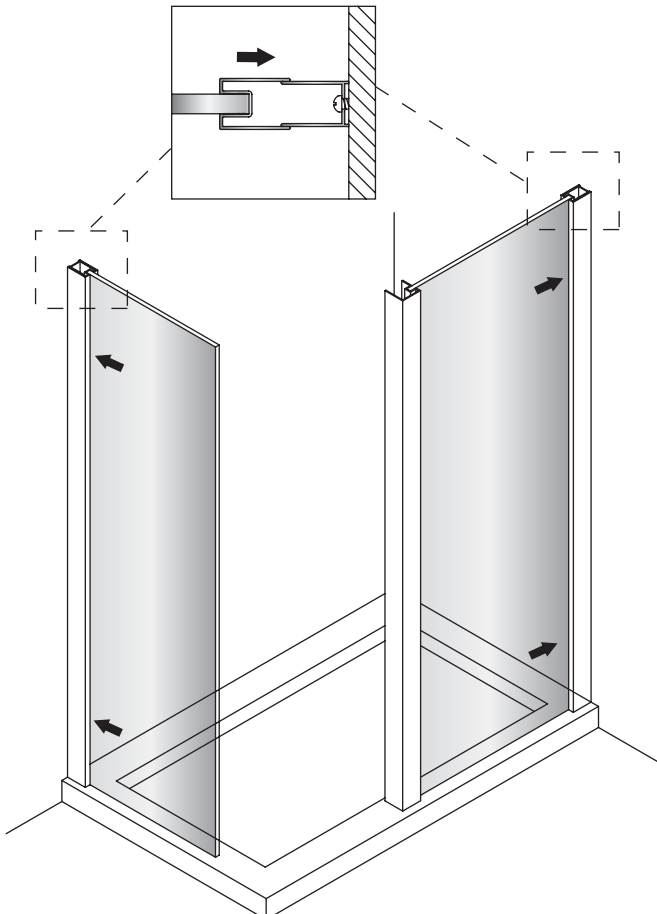
Fix the wall channels to the walls using 8 screws (A).

Note: Inject silicone sealant into the holes before inserting the screws to seal the holes.



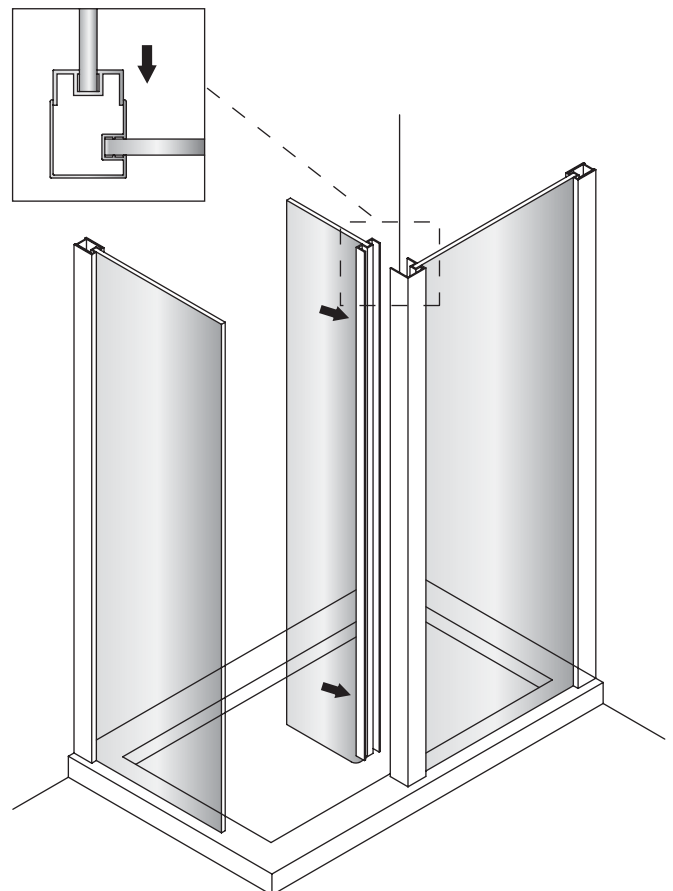
Step 2

Push the panels on to the wall channel.



Step 3

Push the panel into the panel frame.

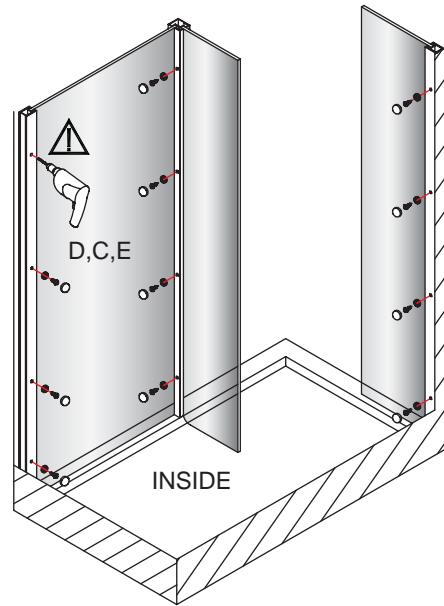
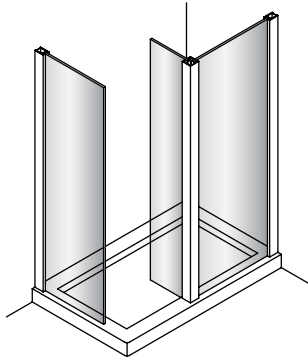


Step 4

Once you have checked that the panels are placed correctly, fix the panels to the wall channel.

⚠ Inside surface of panel frame has predrilled holes.

From inside, drill through the 4 holes in the panel frame into the wall channel using a 3.2mm drill bit. Fix using washers (D), screws (C) and push on the screw covers (E).

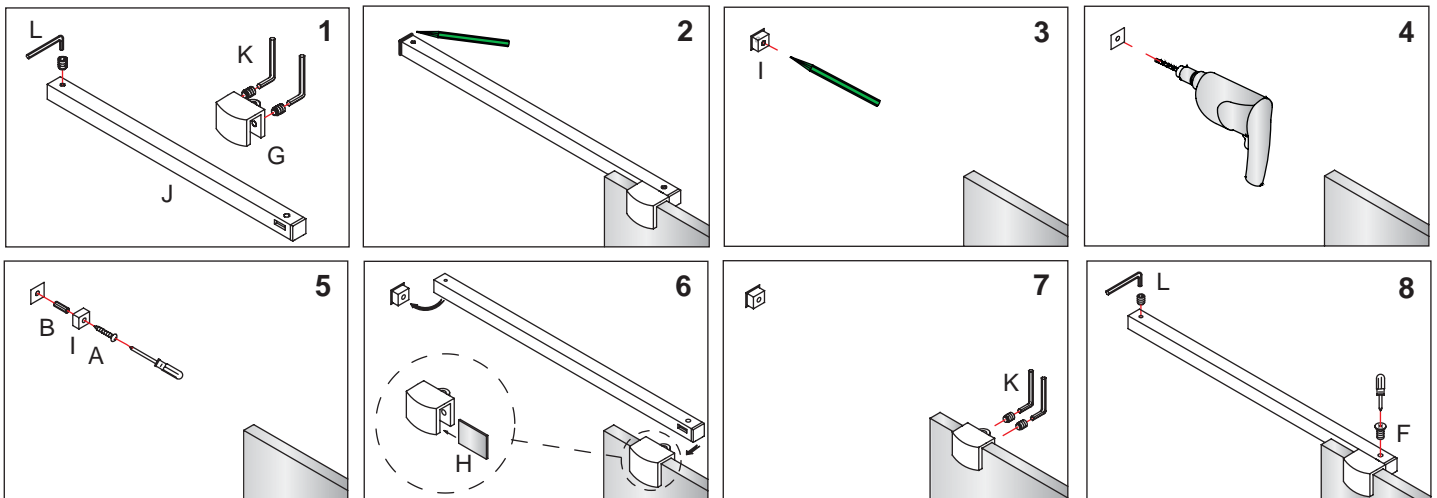


Step 5 - FITTING THE BRACING BAR (LH)

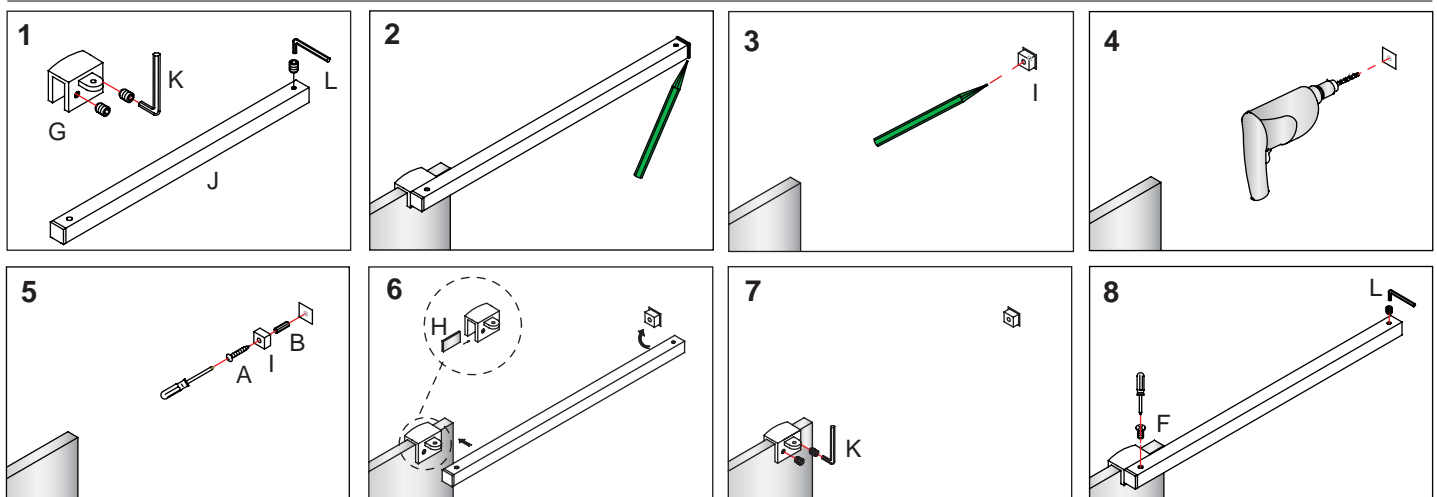
Join parts (G) and (J) together, and place them on the glass.

Place in position, use a spirit level to check the level. Mark the part (J) position on to the wall.

Drill hole in the position marked using a 6mm masonry drill bit. Insert wall plug (B) into the hole. (beyond the thickness of the tile).

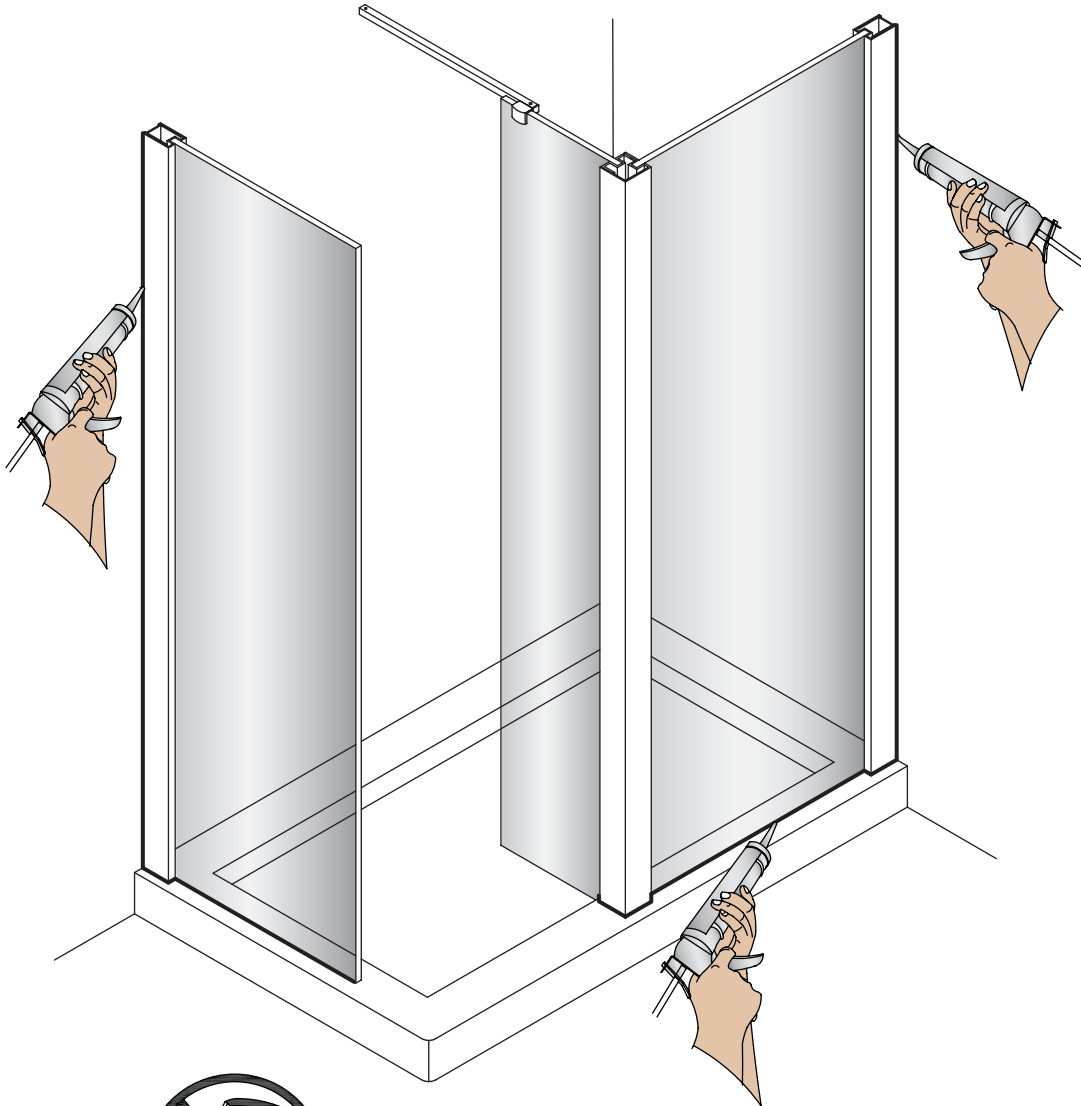


FITTING THE BRACING BAR (RH)



Step 6

Sealing outside: Run a line of silicone sealant from top to bottom down the joint between the wall channels and tiles.
Run a line of silicone sealant 100mm up the joint where the frame slots over the wall channel.
Run a line of silicone sealant along the base in the joint between the bottom of the enclosure and the tray outside only.
End panel should be sealed outside as shown, and also inside along the glass up to the framework.



simpsons 

For any further information please contact
Simpsons on: 01483 303711

Or visit our web-site at
www.simpsons-enclosures.co.uk

The manufacturer reserves the right to make
technical modifications without prior notice.