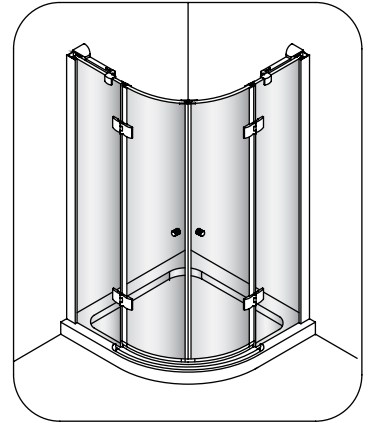
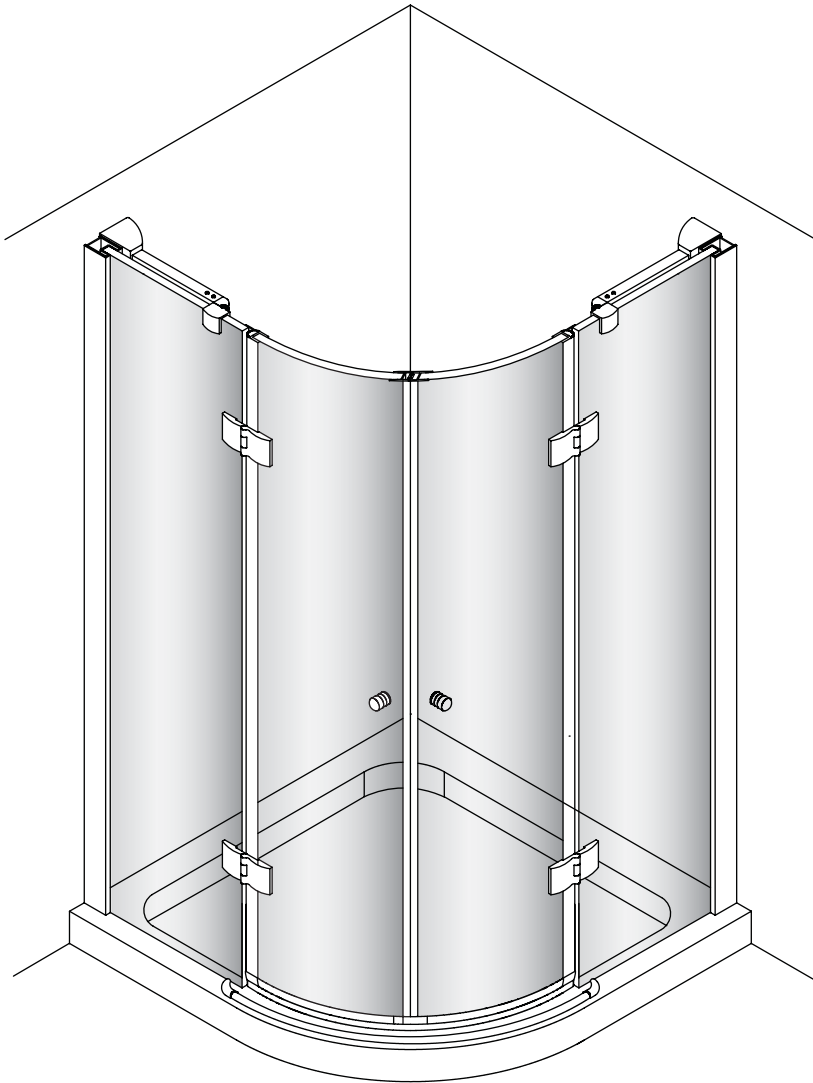
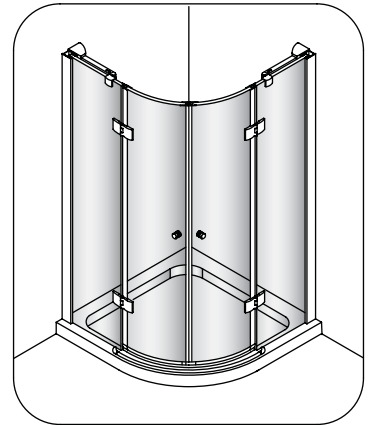


DESIGN QUADRANT DOUBLE DOOR

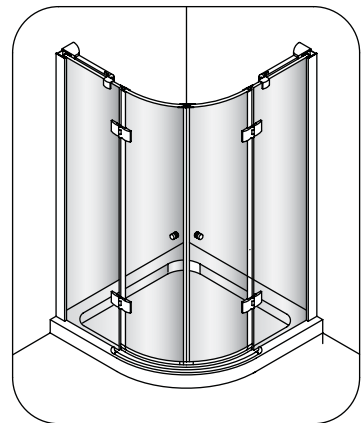
DQDSC0800
DQDSC0900
DQDSC1000



800mm DOUBLE DOOR



900mm DOUBLE DOOR



1000mm DOUBLE DOOR

INSTALLATION INSTRUCTIONS



IMPORTANT - Please read before installation

Please read these instructions carefully before starting installation and keep in a safe place for future reference.

Check the contents of the pack carefully before installation. Simpsons will not be held responsible for any de-fit / re-fit costs where faulty product has been fitted.

If any fault is found with materials or workmanship, it must be reported immediately to the manufacturer. Remedial action will be taken, based on information received, on condition that:

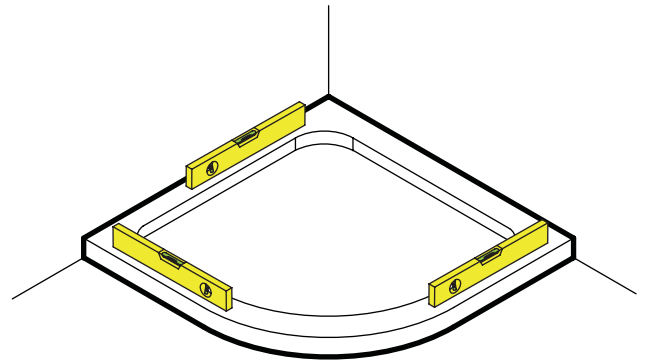
1. Full details are supplied to the manufacturer;
2. The enclosure has not been modified or tampered with;
3. The manufacturer is informed of any damage/shortages prior to installation.

We do not accept responsibility for any problems that may occur through incorrect installation.

The success of the installation and operation of any shower enclosure is, of course, dependant on the squareness, alignment and construction of the walls to which fixing is to be carried out.

VERY IMPORTANT

You must complete all tiling and grouting, and the shower tray **MUST** be level and fully sealed to the tiles before installation. If you do not fit the enclosure onto a tiled surface, or seal the tiles to the tray before installation, water may soak into the wall behind the wall profiles.



INSTALLATION - Advice and safety

The installation instructions are based on typical use and conditions.

All doors are designed to open outwards only.

These hints have been prepared for your guidance, you must exercise due care at all times.

For Health and Safety 2 people must carry out the installation of this enclosure.

Handle glass with care. Although the glass supplied is toughened safety glass (to BS6206A0), impacts can damage both the glass and the frame.

Warning!

Please check for any hidden pipes or cables before drilling holes in the wall.

When using power tools always follow the manufacturers user instructions.

If the Framework is sealed to the tray on the inside, any water that may get into the framework will not be able to drain back into the tray, this may cause the enclosure to leak.

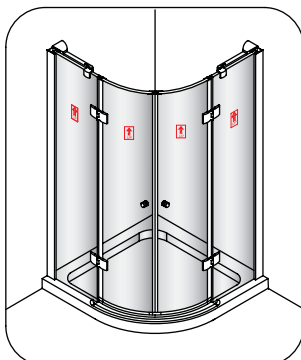
Leave the silicone sealant to dry for 24 hours before using the enclosure.

CARE AND CLEANING

Do not use solvents or abrasive material or chemicals to clean the enclosure.

Only clean using soapy water and a soft cloth, rinse thoroughly afterwards.

INSTALLATION




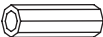
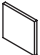


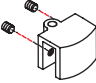
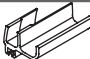






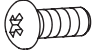





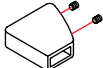





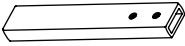
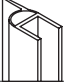



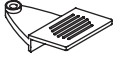


The "up" arrow on the glass should be in red, and be on the outside of the enclosure.

CONTENTS

HINGED DOOR

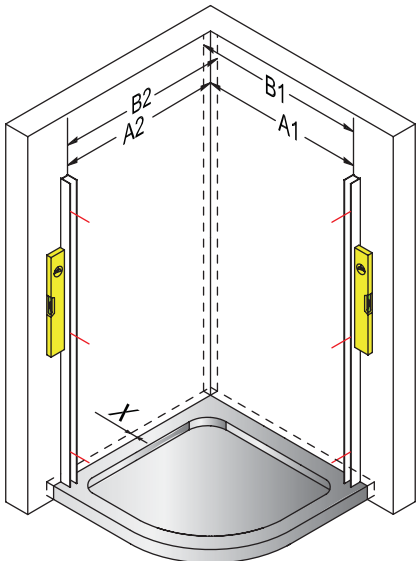


A	 M5 *30mm Screw x 10	L	 Cover x 4	W	 Water Channel Middle x 2
B	 Wall Plug x 10	M	 Mat x 2	X	 Water Channel End x 1
C	 M4 *12mm Screw x 6	N	 Glass Clamp x 2	Y	 Water Channel End x 1
D	 Washer x 6	O	 Hinge x 4	Z	 Water Channel End x 1
E	 Cover x 6	P	 Handle x 2	AA	 Water Channel End x 1
F	 M6 *10mm Screw x 4	Q	 Breakwater Bar x 1	AB	 Bottom Waterproof Strip x 1
G	 M5 *14mm Screw x 2	R	 End Part x 1	AC	 Bottom Waterproof Strip x 1
H	 Wall Bracket x 2	S	 End Part x 1	AD	 Plastic Seal Strip x 2
I	 Wall Bracket Cover x 2	T	 Waterproof Strip x 1	AE	 Allen Key 3mm x 1
J	 Support Bar x 2	U	 Waterproof Strip x 1	AF	 Allen Key 4mm x 1
K	 Fixed Part x 2	V	 Magnetic Strip x 2	AG	 Drill Jig x 1

Tools and equipment needed

Drill, 6mm Masonry drill bit ,3.2mm General drill bit, Philips screwdriver, Spirit level, Pencil, Silicone sealant.

Step 1 - FITTING AND POSITIONING WALL CHANNEL



Code	Dimension	B1	A1	B2	A2
DQDSC0800	775X775	758	(758-X)	758	(758-X)
DQDSC0900	875X875	858	(858-X)	858	(858-X)
DQDSC1000	975X975	958	(958-X)	958	(958-X)

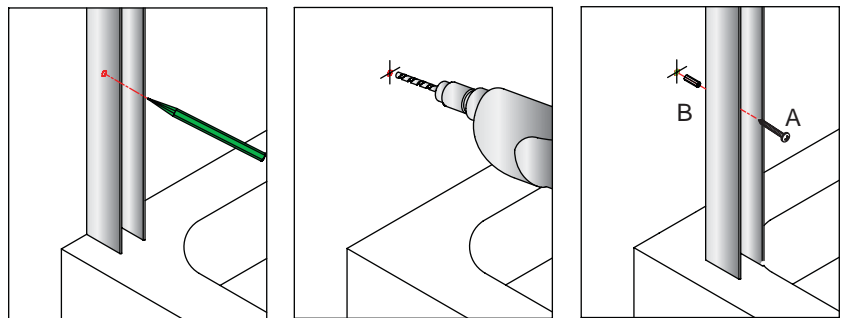
Note: 'X' refers to any allowance for tiles. **Unit:** mm

Remove both wall channels from the door frame. Place each wall channel in position, use a spirit level to ensure they are vertical and mark all 6 fixing holes onto the walls (holes inside).

Drill holes in the positions marked using a 6mm masonry drill bit. Insert wall plugs (B) into all of the holes (beyond the thickness of the tile).

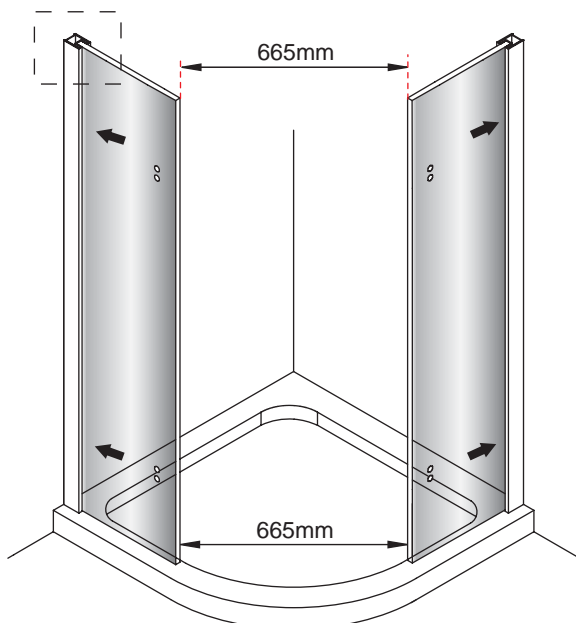
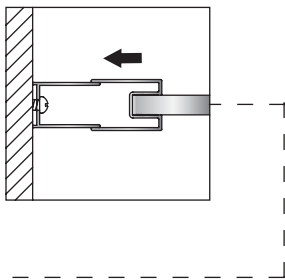
Fix the wall channels to the wall using 6 screws (A).

Note: Inject silicone sealant into the holes before inserting the screws to seal the holes.



Step 2

Push the side panels on to the wall channel.



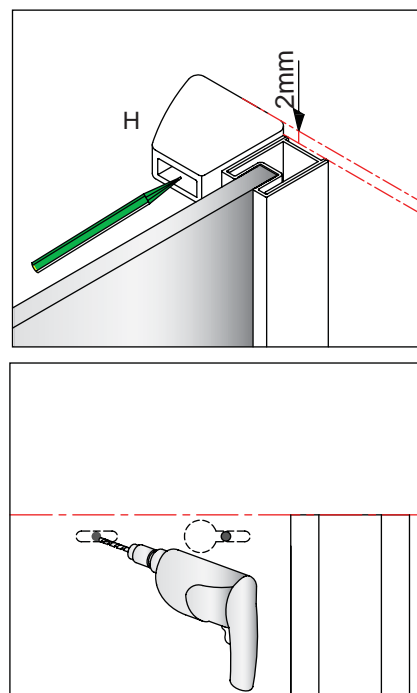
Step 3

Place part (H) in position (2mm above the side panel in vertical; align against the side panel in horizontal.)

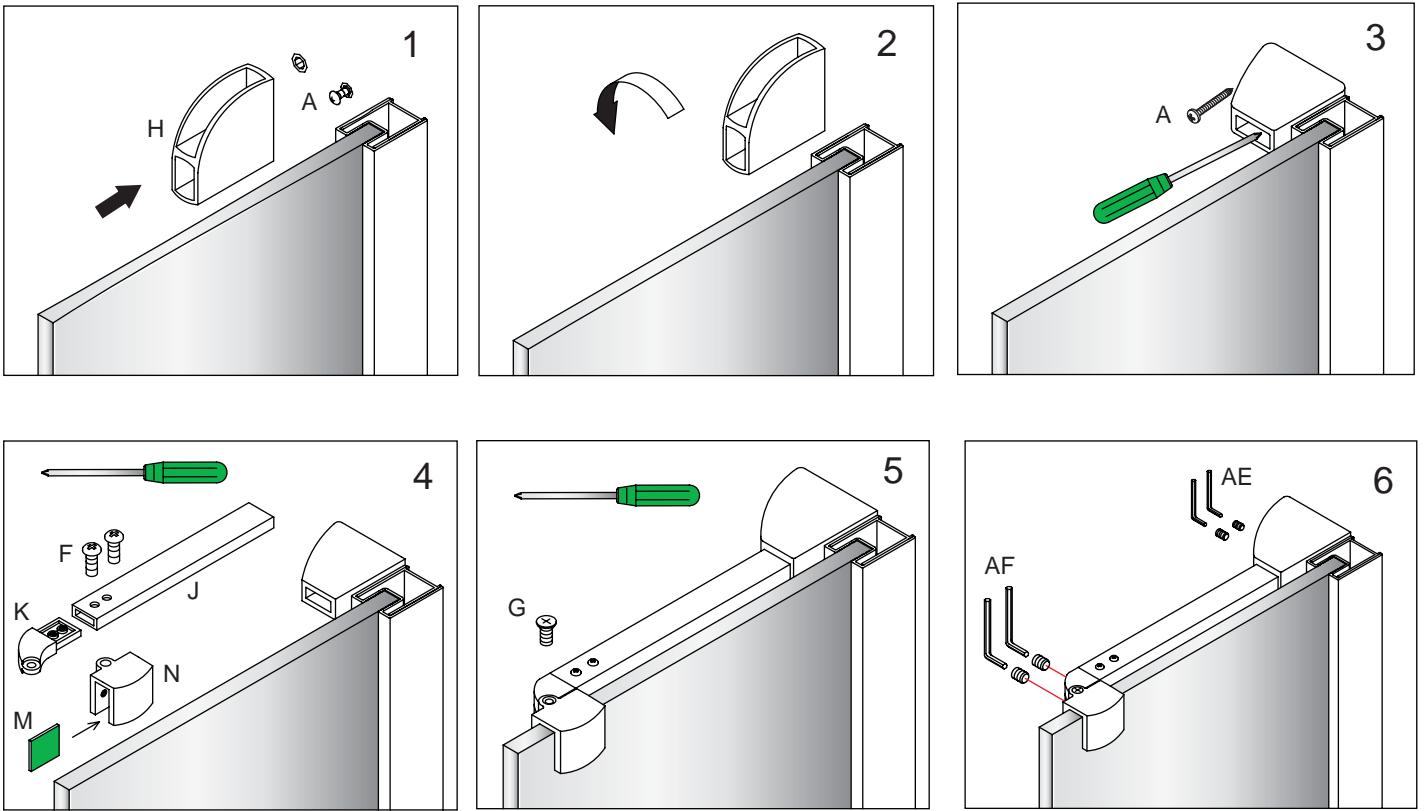
Use a spirit level to check the level.

Mark the hole positions on to the wall.

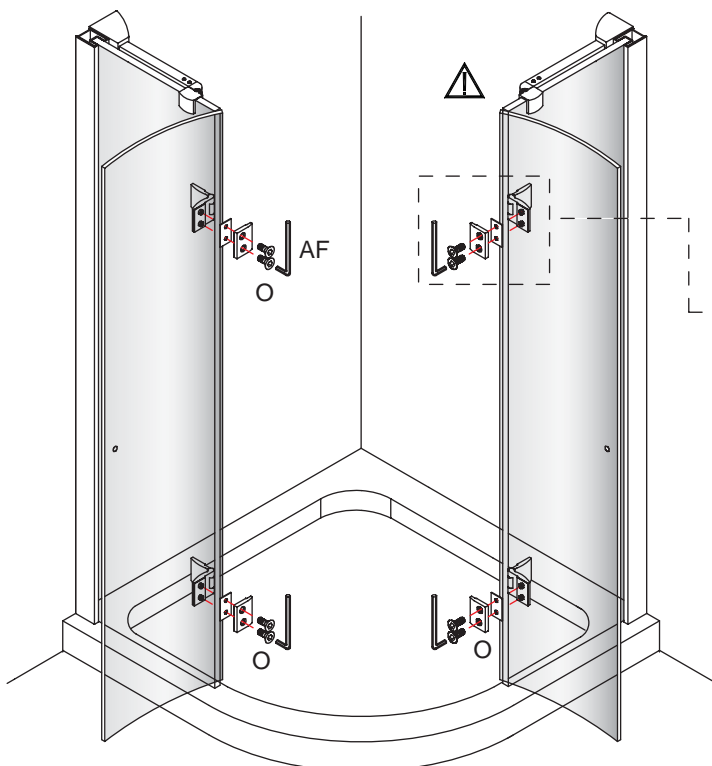
Drill holes in the positions marked using a 6mm masonry drill bit. Insert wall plugs (B) into the two holes. (beyond the thickness of the tile).



Step 4 - FITTING THE BRACING BAR

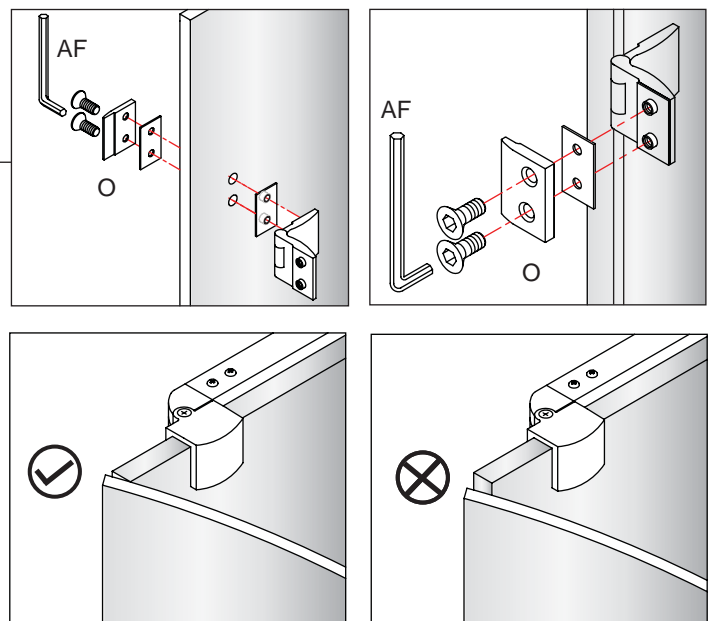


Step 5 - HINGE ASSEMBLY



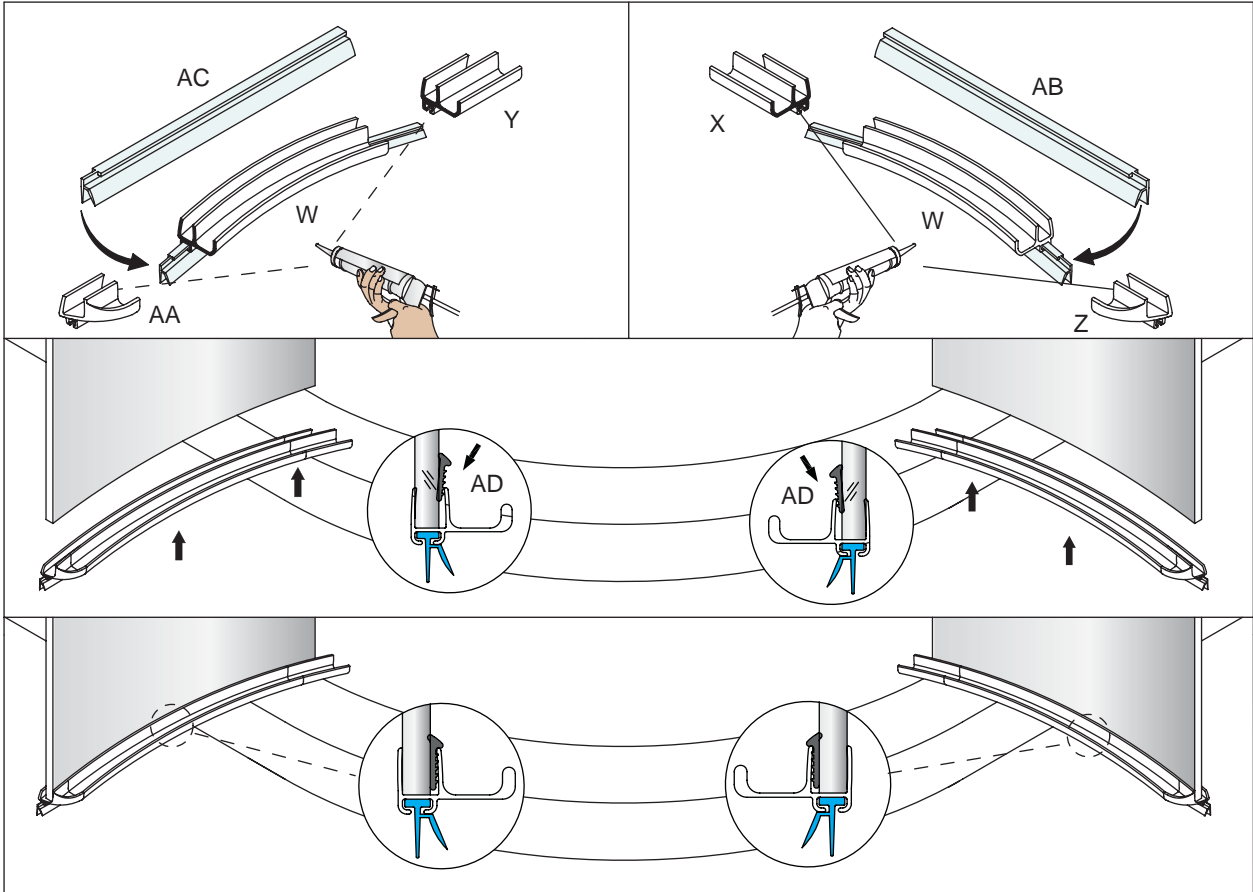
Fix Hinges to a glass door.

Support door and fix hinges to side panel. Do not fully tighten. Check that the door closes and that the top is aligned with the side panels. Fully tighten screws.



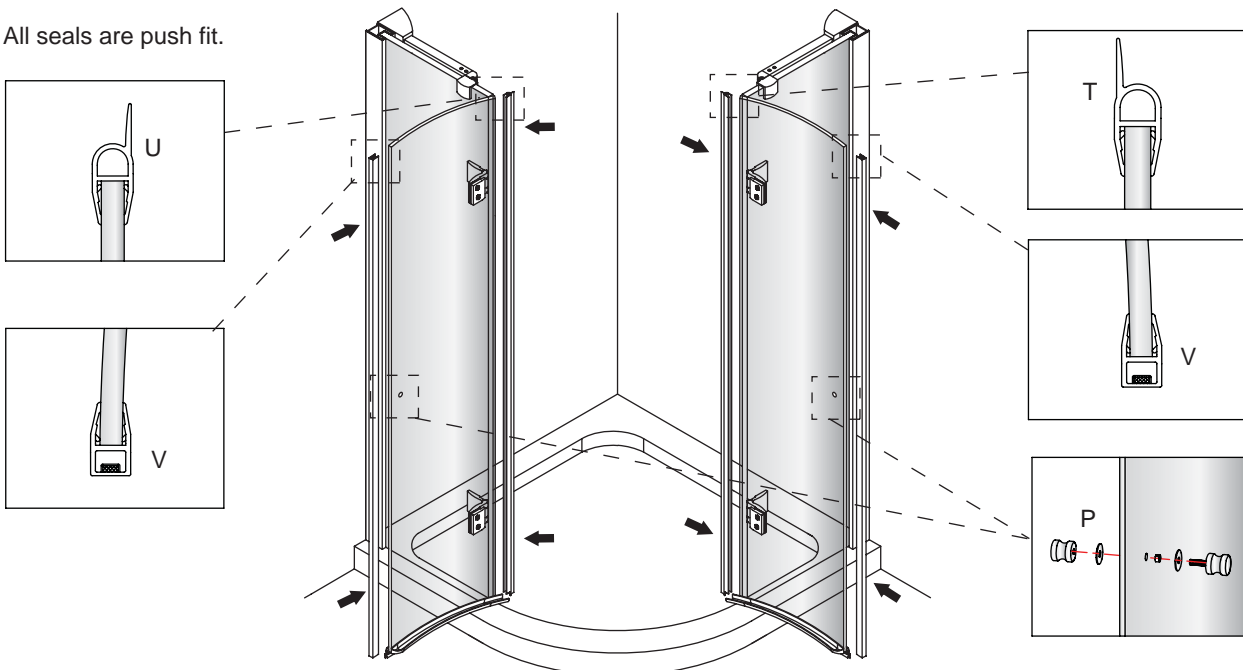
Step 6

1. Insert Bottom Waterproof Strip (AB and AC) into Water Channel Middle (W) with profile end to Non hinged side of door making sure it goes completely home into Water Channel End (Z) or (AA).
2. Slide Water Channel End (Z) or (AA) onto Bottom Waterproof Strip (AB and AC) and Water Channel Middle (W) using silicone sealant on joint faces.
3. Slide Water Channel End (X) or (Y) onto Bottom Waterproof Strip (AB and AC) and Water Channel Middle (W) using silicone sealant on joint faces.
4. Insert completed assembly onto bottom of door and fit Plastic Seal Strip (AD).



Step 7 - FITTING SEALS

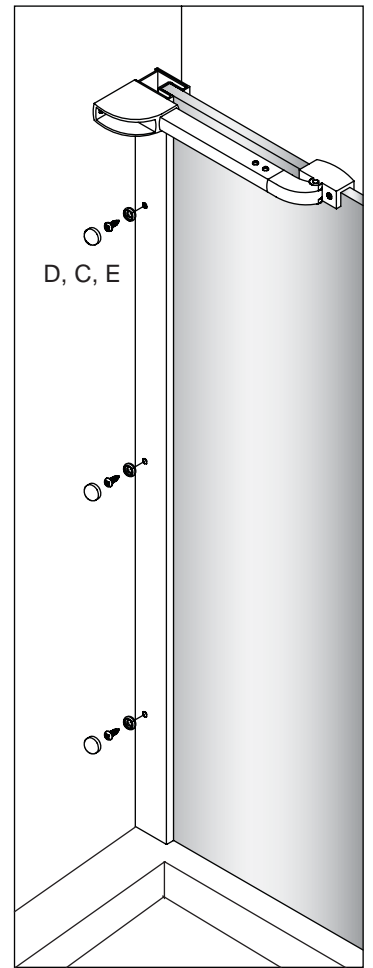
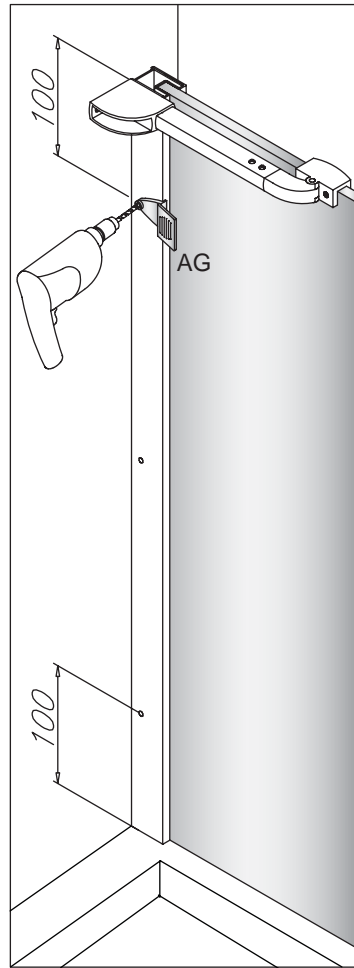
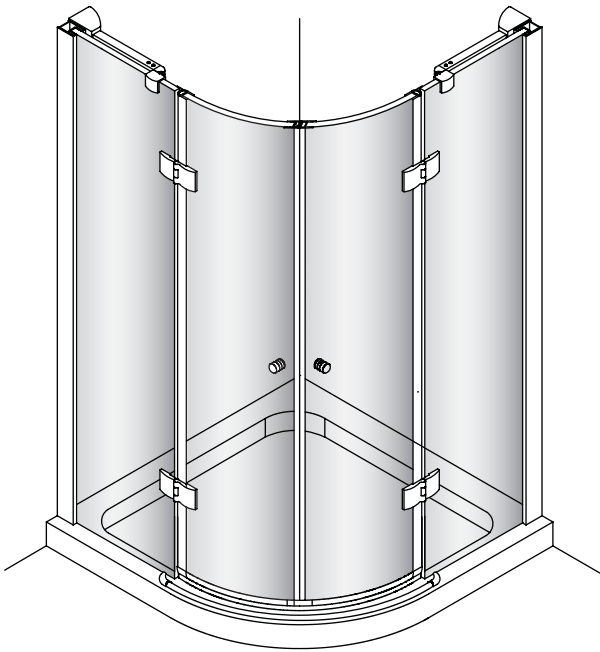
All seals are push fit.



Step 8

Once you have checked that the door opens and closes correctly fix the side panels to the wall channels.

From inside, drill 3 holes through each wall channel/side frame using a 3.2mm drill bit and Drill Jig (AG). Fix using washers (D), screws (C) and push on the screw covers (E).

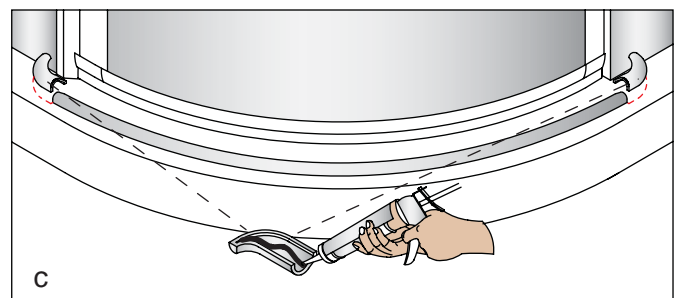
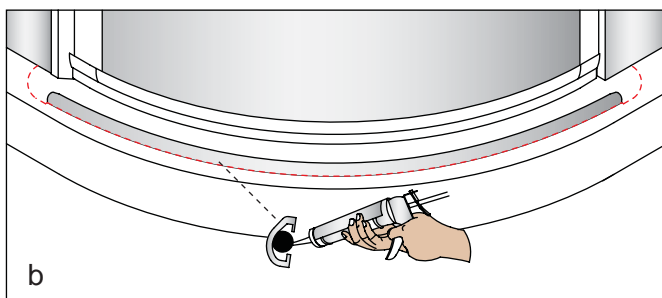
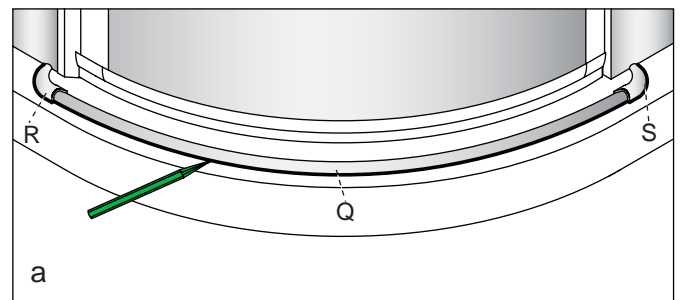


Step 9

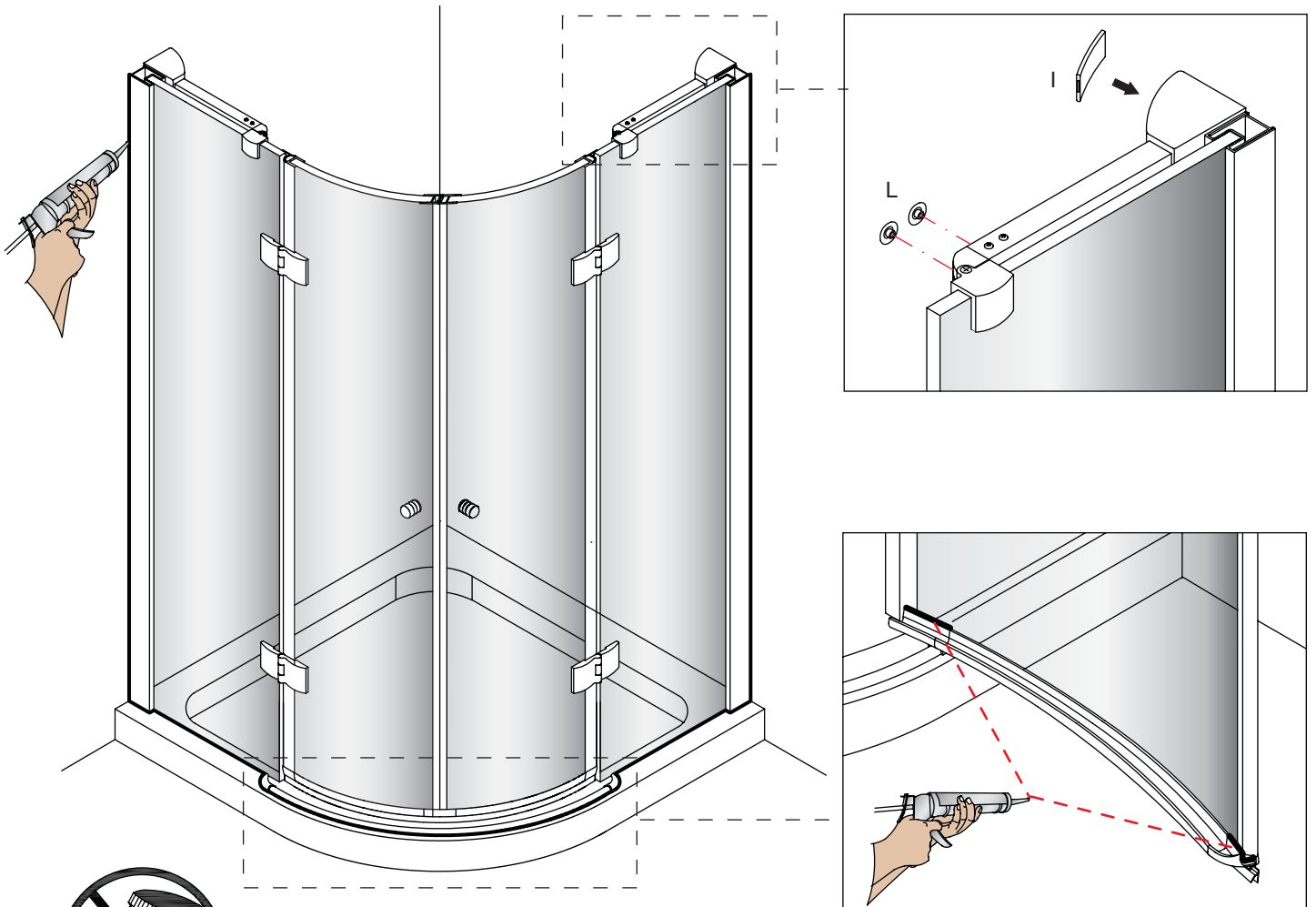
Place the breakwater bar (Q) and the two end parts (R,S) on the shower tray.

Using a pencil mark the outline after adjusting the 3 parts fit for the shower tray and door glass.

Spread silicone sealant under the 3 parts, put them on the shower tray following the marked line.



Step 10



Use silicone sealant to seal the joint between the two Water Channel Ends and door to prevent the enclosure leaking.

simpsons

For any further information please contact
Simpsons on: 01483 303711

Or visit our web-site at
www.simpsons-enclosures.co.uk

The manufacturer reserves the right to make technical
modifications without prior notice.