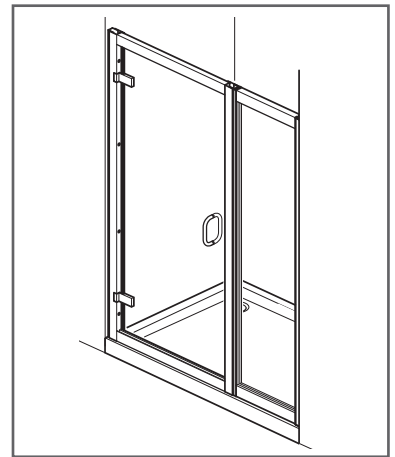
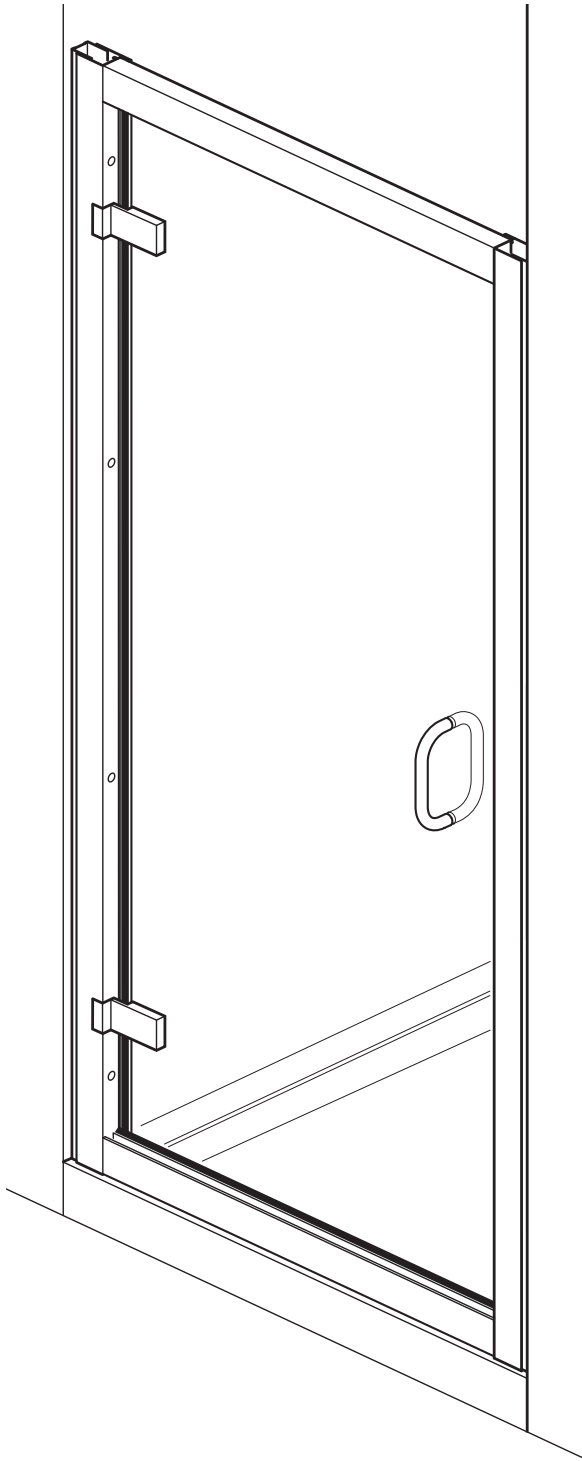
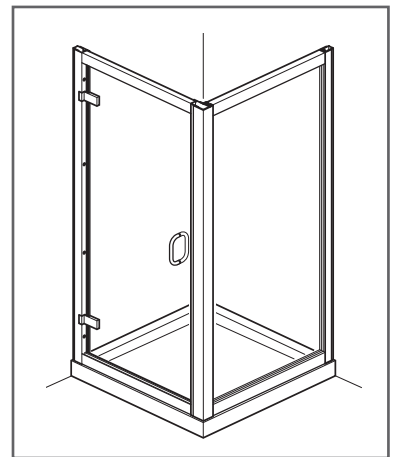


FRAMELESS HINGED DOOR

CLASSIC



HINGED DOOR & INLINE PANEL



HINGED DOOR & SIDE PANEL

INSTALLATION INSTRUCTIONS

simpsons 

IMPORTANT - Please read before installation

Please read these instructions carefully before starting installation and keep in a safe place for future reference.

Check the contents of the pack carefully before installation. Simpsons will not be held responsible for any de-fit / re-fit costs where faulty product has been fitted.

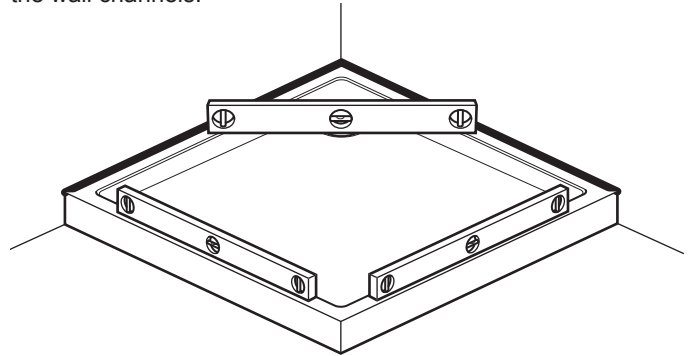
If any fault is found with materials or workmanship, it must be reported immediately to the manufacturer. Remedial action will be taken, based on information received, on condition that: 1. Full details are supplied to the manufacturer; 2. The enclosure has not been modified or tampered with; 3. The manufacturer is informed of any damage/shortages prior to installation.

We do not accept responsibility for any problems that may occur through incorrect installation.

The success of the installation and operation of any shower enclosure is, of course, dependant on the squareness, alignment and construction of the walls to which fixing is to be carried out.

VERY IMPORTANT

You must complete all tiling and grouting, and the shower tray **MUST** be level and fully sealed to the tiles before installation. If you do not fit the enclosure onto a tiled surface, or seal the tiles to the tray before installation, water may soak into the wall behind the wall channels.



INSTALLATION - Advice and safety

All Classic shower doors and panels are fully assembled and are reversible for left or right hand fitting, simply turn the door or panel up side down.

The Classic doors come with the two wall channels pushed onto each side of the door frame. The side panels and inline panels do **NOT** come with wall channels, you must use one of the channels from the door.

The installation instructions are based on typical use and conditions.

The hinged doors are designed to open outwards only.

Please follow the installation instructions relevant to your enclosure.

These hints have been prepared for your guidance, you must exercise due care at all times.

It is recommended that 2 people carry out the installation of this enclosure.

Handle glass with care. Although the glass supplied is toughened

safety glass (to EN12150), impacts can damage both the glass and the frame.

Warning! Please check for any hidden pipes or cables before drilling holes in the wall.

To stop the drill bit slipping, masking tape can be applied to the tiles when preparing the holes.

When using power tools always follow the manufacturers user instructions.

Do not sit the enclosure on a bed of silicone, as this will also stop any water from draining back into the tray.

DO NOT SEAL THE ENCLOSURE TO THE TRAY ON THE INSIDE

If the enclosure is sealed to the tray on the inside, any water that may get into the framework will not be able to drain back into the tray, this may cause the enclosure to leak.

Leave the silicone sealant to dry for 24 hours before using the enclosure.

CARE AND CLEANING

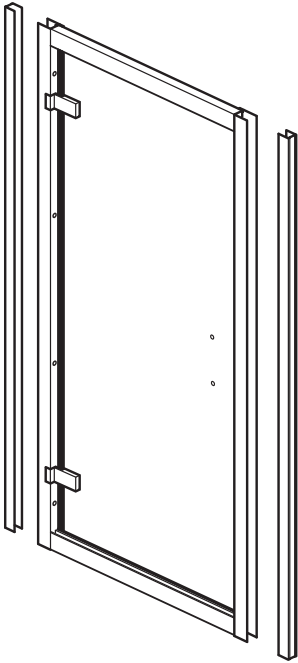
Do not use solvents or abrasive materials or chemicals to clean the enclosure.

Only clean using soapy water and a soft cloth, rinse thoroughly afterwards.

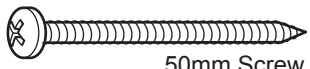
CONTENTS

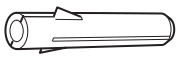
DOOR IN ALCOVE

See pages 3 - 5



A  10mm Screw x 8

B  50mm Screw x 8

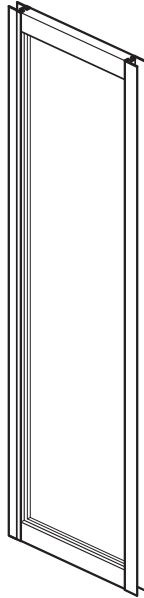
C  Wall plug x 8

D  Hole covers x 8

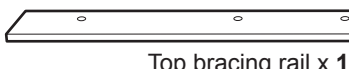
E  Door handle x 1

DOOR & INLINE PANEL

See pages 6 - 9

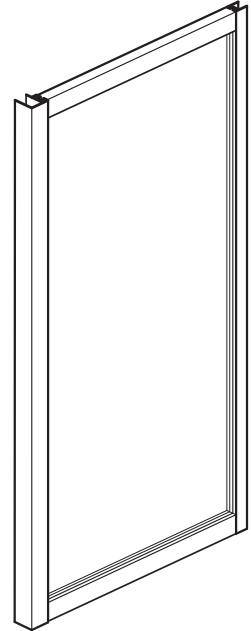


A  10mm Screw x 9

F  Top bracing rail x 1

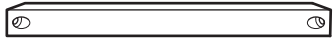
DOOR & SIDE PANEL

See pages 10 - 13

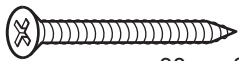



A  10mm Screw x 4

RECOMMENDED WHEN 2 SIDE PANELS ARE USED

G  Brace bar x 2

H  15mm Screw x 4

I  38mm Screw x 2

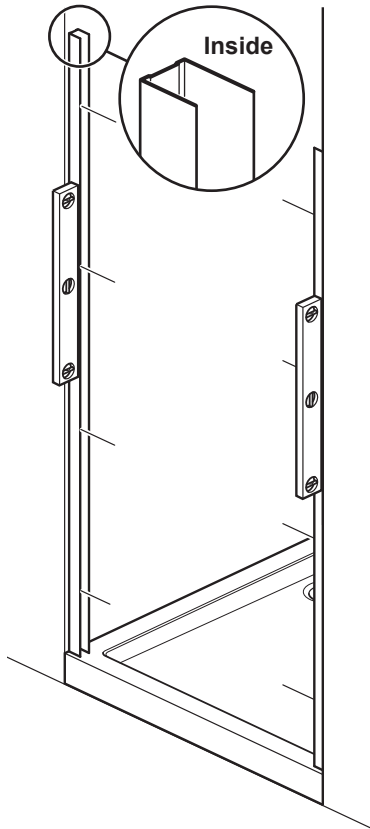
C  Wall plug x 2

Tools and equipment needed

Drill, 6mm Masonry drill bit, 3.5mm & 3mm General drill bits, Phillips screwdriver, Flatblade screwdriver, Spirit level, Pencil, Scissors, Hacksaw, Silicone sealant.

HINGED DOOR IN ALCOVE

Step 1

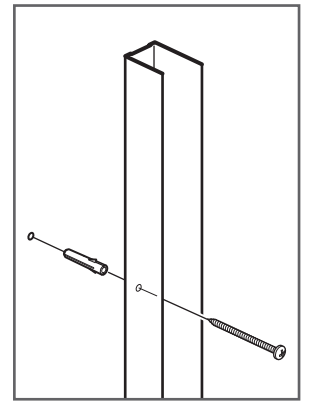
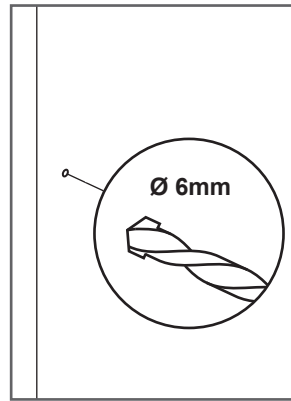
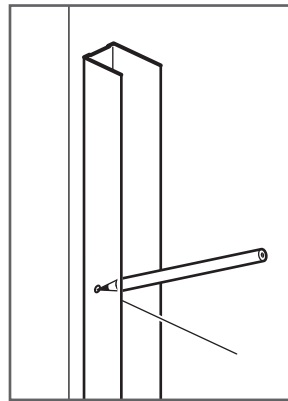


Remove both wall channels from the door frame. **Note:** Ensure the longer leg of each wall channel is on the inside of the enclosure when fixing. Place each wall channel in position on the tray (10 - 15mm in from the outer edge of the tray), use a spirit level to ensure they are vertical and mark all 8 fixing holes onto the walls.

Drill holes in the positions marked using a 6mm masonry drill bit. Insert wall plugs (C) into all of the holes (beyond the thickness of the tile).

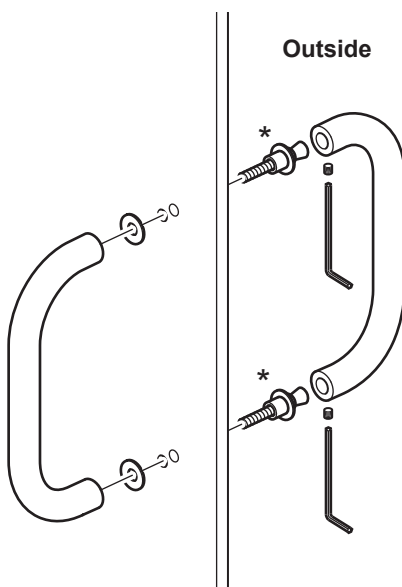
On hinged side only: Fix the wall channel to the wall using 4 x 50mm screws (B).

Note: Inject silicone sealant into the holes before inserting the screws to seal the holes.

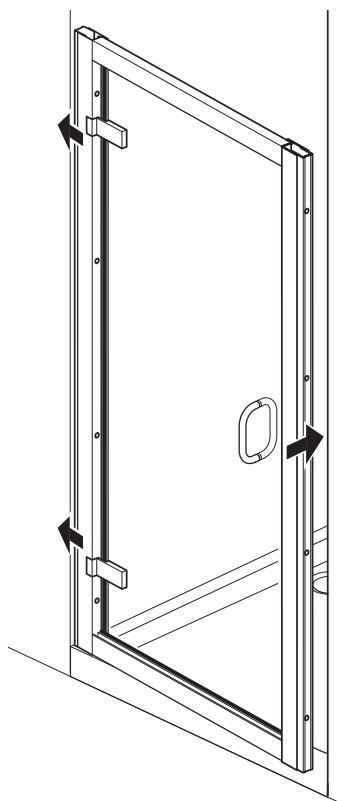


Step 2

Fit the door handle (E) with the grub screws under the outside handle. First dismantle the handle using the hexagonal key supplied. Attach the inner handle tightening the screws (*) onto the door. Re-attach the outer handle as shown.

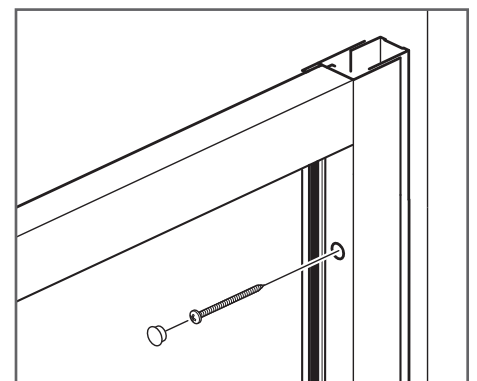


Step 3



Push the remaining wall channel back onto the door frame on the opening/handle side of the door (with the longer leg on the inside of the enclosure).

Insert the door into the 'fixed' wall channel and swing the free end into position on the opposite wall. Line up the fixing holes on the second wall channel with those on the wall and fix through the frame using 4 x 50mm screws (B) and push on all 8 hole covers (D). **Note:** Inject silicone sealant into the holes before inserting the screws to seal the holes.



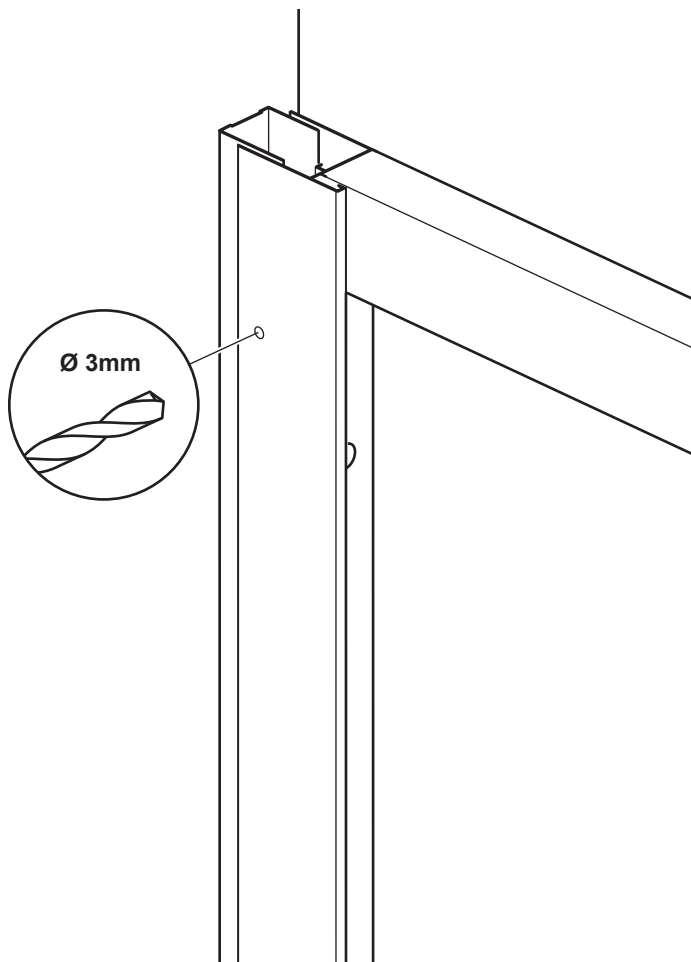
HINGED DOOR IN ALCOVE

Step 4



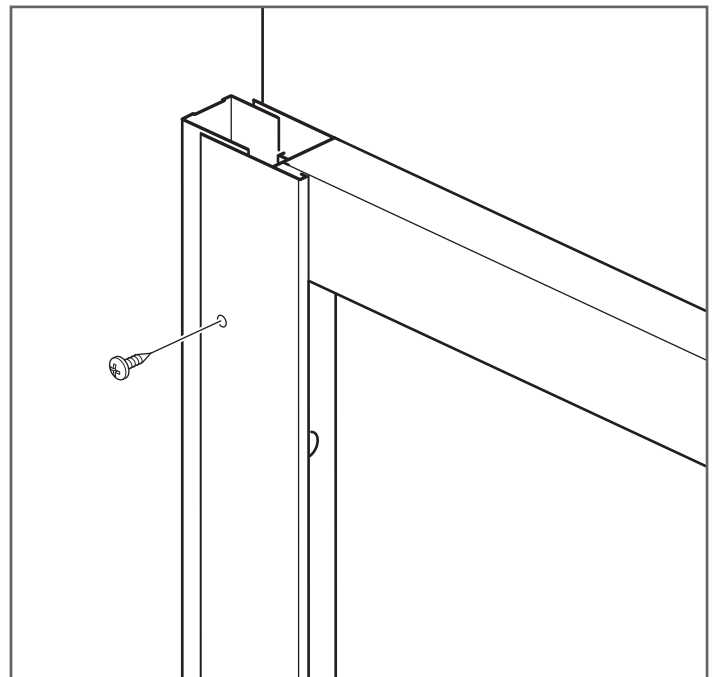
Before fixing the door to the wall channels you must make sure that the door is centred between the wall channels.

Step 5



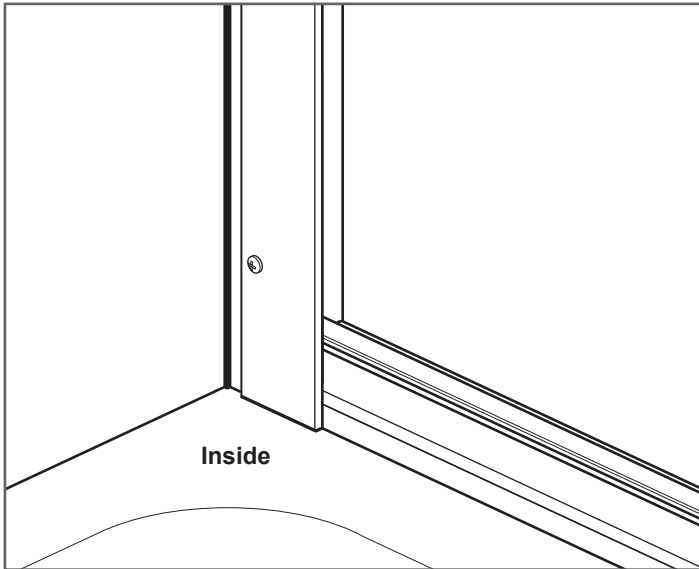
Once you have checked that the door opens and closes correctly fix the door to the wall channels.

From inside, drill 4 holes through the door frame (in the marked positions) into the wall channels using a 3mm drill bit. Fix using 8 x 10mm screws (A).



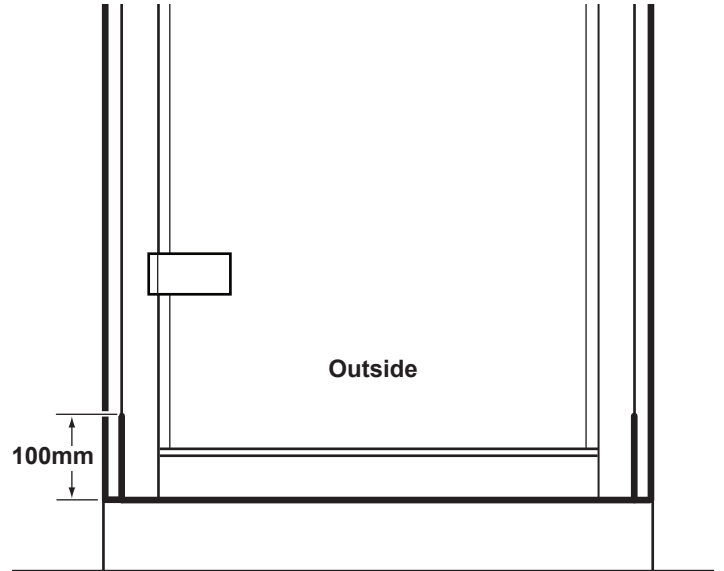
HINGED DOOR IN ALCOVE

Step 6



Sealing inside: Run a line of silicone sealant from top to bottom down the joint between the wall channels and tiles.

Do not seal the enclosure to the tray on the inside.



Sealing outside: Run a line of silicone sealant from top to bottom down the joint between the wall channels and tiles.

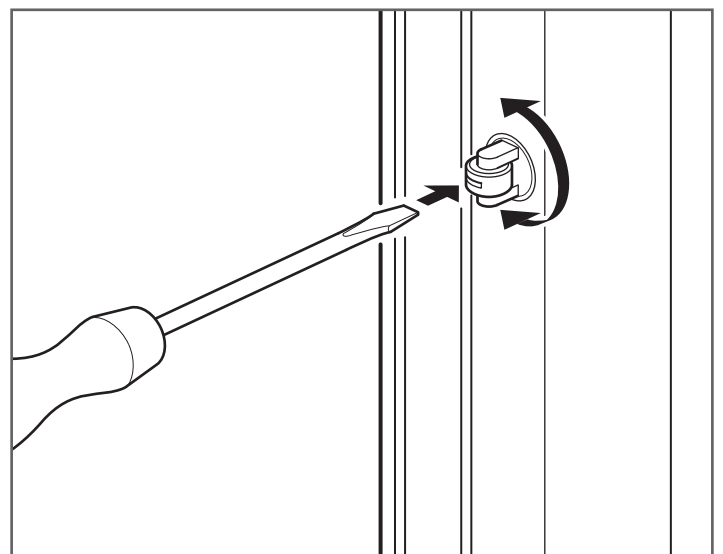
Note: *If required you can also run a line of silicone sealant 100mm up the joint where the door slots onto the wall channels.*

Run a line of sealant along the base in the joint between the bottom of the enclosure and the tray, from wall to wall.

Step 7

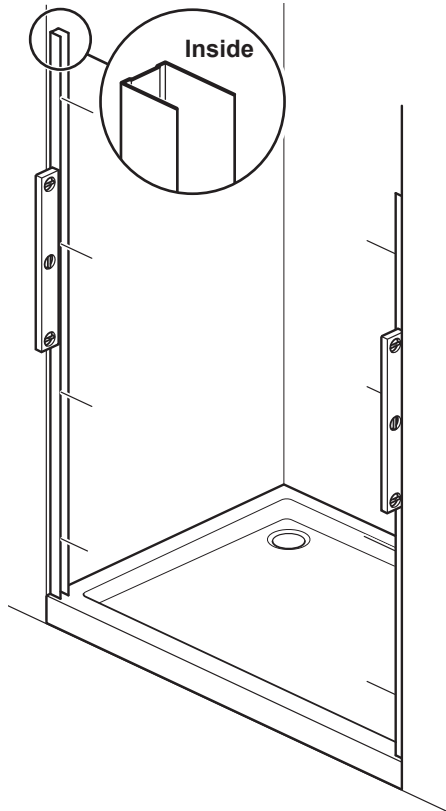
If required one or both roller catches on the door can be adjusted to change the amount of resistance that is required to open and close the door.

Open the door and stand in the opening facing the catch. Rotate the catch with your finger until you see the screwdriver slot in the roller, insert a screwdriver into the roller and push the roller fully into the door frame. To reduce the resistance on the door, give the roller one full turn clockwise and release. To increase the resistance on the door, give the roller one full turn anticlockwise and release. Adjust as required.



HINGED DOOR & INLINE PANEL

Step 1

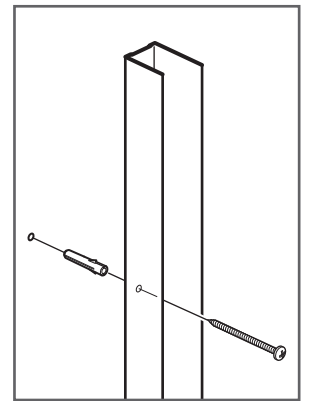
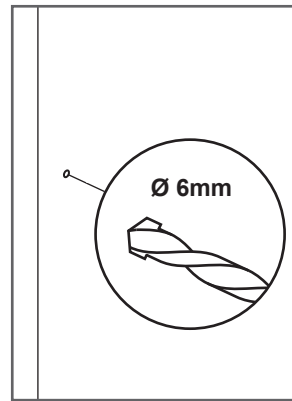
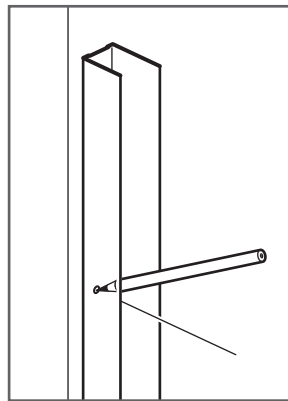


Remove both wall channels from the door frame. **Note:** Ensure the longer leg of each wall channel is on the inside of the enclosure when fixing. Place each wall channel in position on the tray (10 - 15mm in from the outer edge of the tray), ensure they are vertical and mark all 8 fixing holes onto the walls.

Drill holes in the positions marked using a 6mm masonry drill bit. Insert wall plugs (C) into all of the holes (beyond the thickness of the tile).

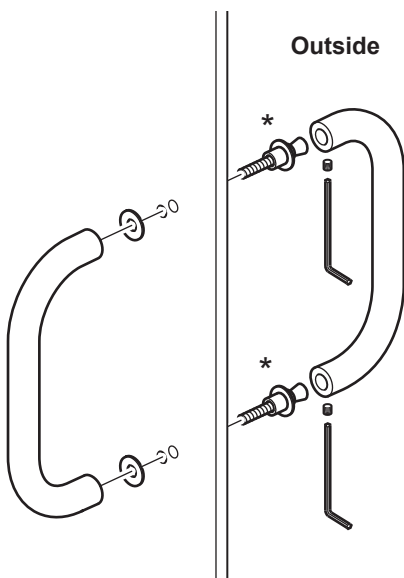
On inline panel side only: Fix the wall channel to the wall using 4 x 50mm screws (B).

Note: Inject silicone sealant into the holes before inserting the screws to seal the holes.

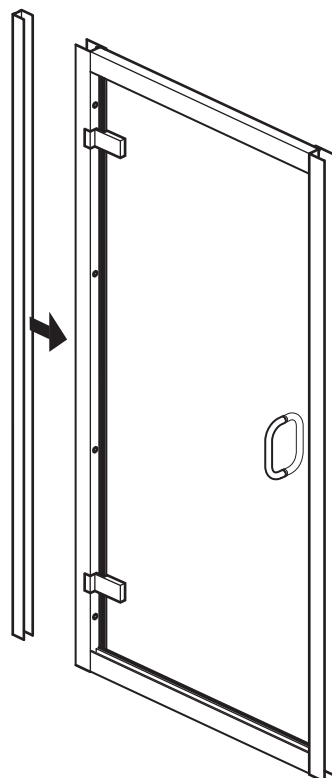


Step 2

Fit the door handle (E) with the grub screws under the outside handle. First dismantle the handle using the hexagonal key supplied. Attach the inner handle tightening the screws (*) onto the door. Re-attach the outer handle as shown.



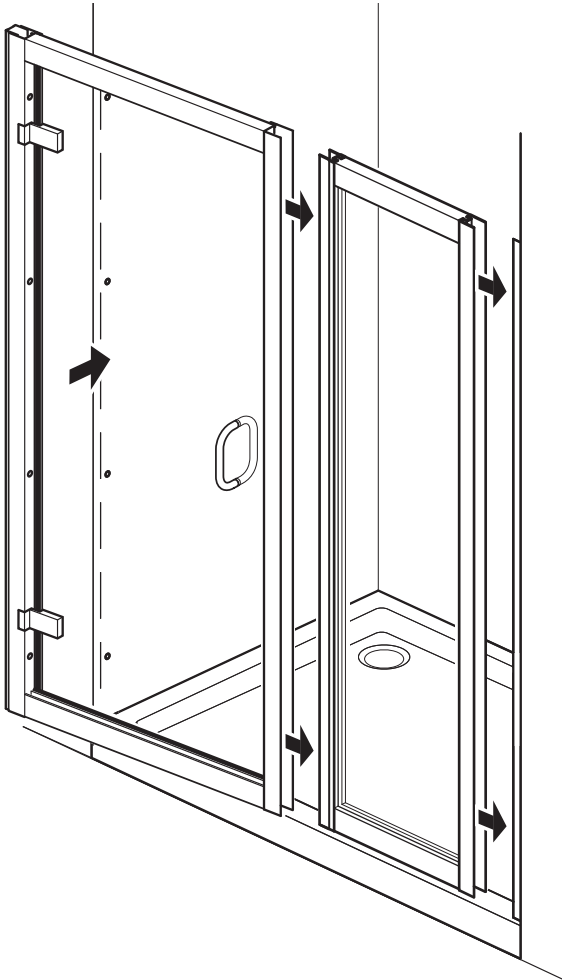
Step 3



Push the remaining wall channel (with the longer leg on the inside of the enclosure) into the hinged side of the door.

HINGED DOOR & INLINE PANEL

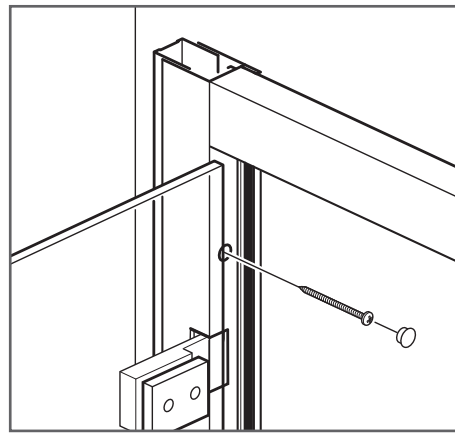
Step 4



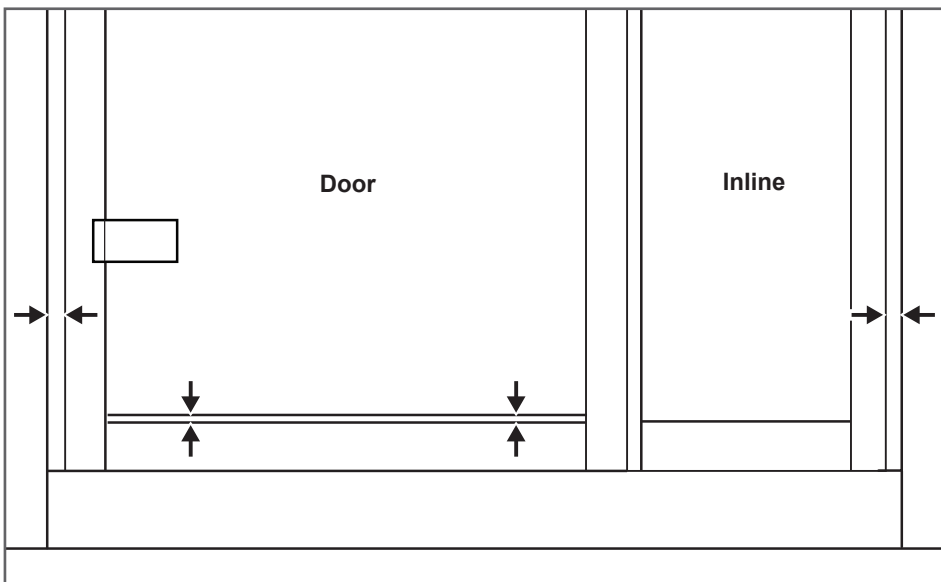
Insert the inline panel onto the 'fixed' wall channel. With help carefully insert the door onto the inline panel and swing the free end into position on the opposite wall.

With someone holding the door open, line up the fixing holes on the second wall channel with those on the wall. Fix through the door frame using 4 x 50mm screws (B) and push on all 8 hole covers (D).

Note: Inject silicone sealant into the holes before inserting the screws to seal the holes.



Step 5



Before fixing the door and inline panel, you must make sure that they are centred between the wall channels.

HINGED DOOR & INLINE PANEL

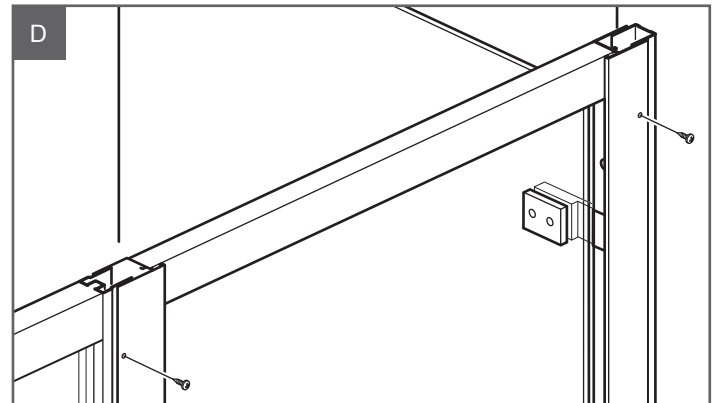
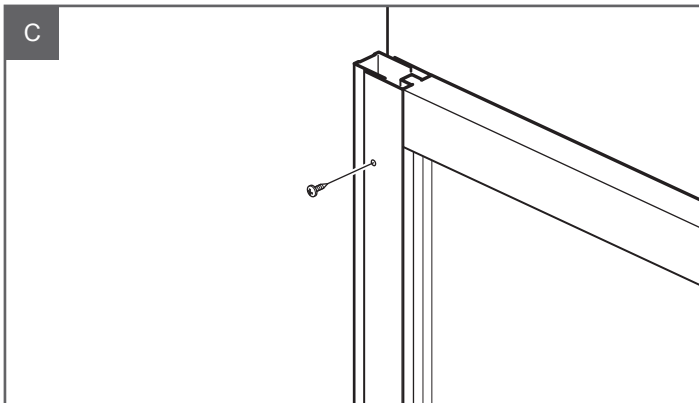
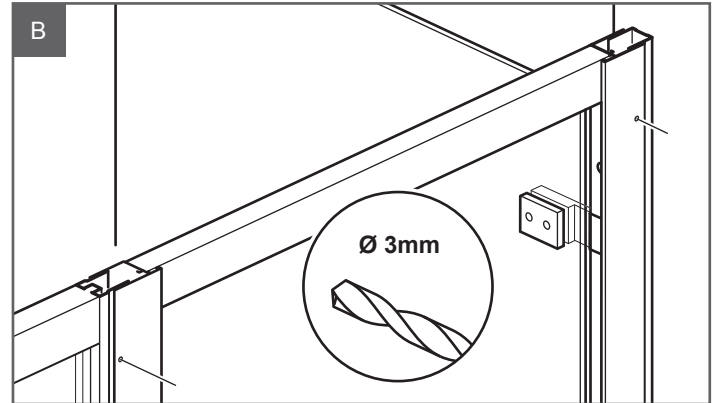
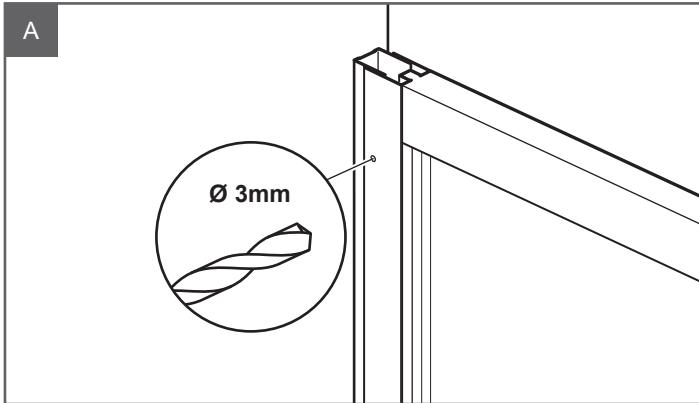
Step 6

Once you have checked that the door opens and closes correctly, fix the inline panel and the door to the wall channels, and fix the inline panel to the door.

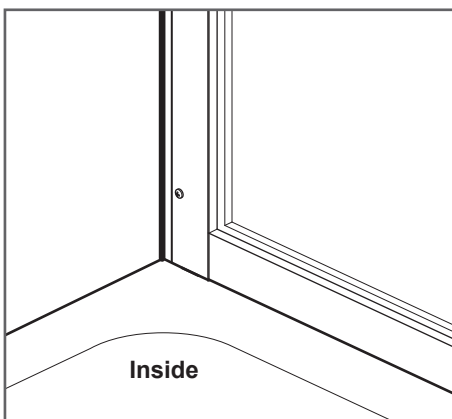
From inside, drill 8 holes through the inline panel and door frame into the wall channels (in the marked positions) using a 3mm drill

bit. Drill 4 more holes through the door into the inline panel (in the marked positions) using a 3mm drill bit.

Note: Stop drilling as soon as you feel the drill break through the first 2 layers of aluminium. Fix using 12 x 10mm screws (A).

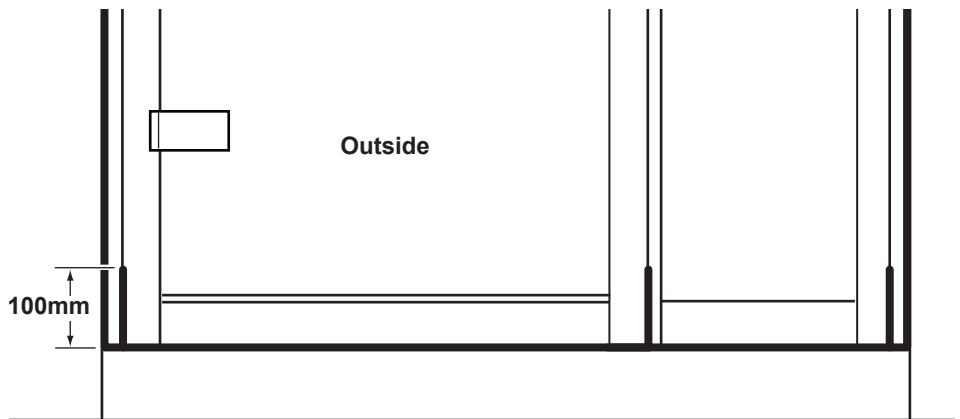


Step 7



Sealing inside: Run a line of silicone sealant from top to bottom down the joint between the wall channels and tiles.

Do not seal the enclosure to the tray on the inside.



Sealing outside: Run a line of silicone sealant from top to bottom down the joint between the wall channels and tiles. **Note:** If required you can also run a line of silicone sealant 100mm up the joint where the door/inline panel slots onto the wall channels and where the door slots onto the inline panel. Run a line of sealant along the base in the joint between the bottom of the enclosure and the tray, from wall to wall.

HINGED DOOR & INLINE PANEL

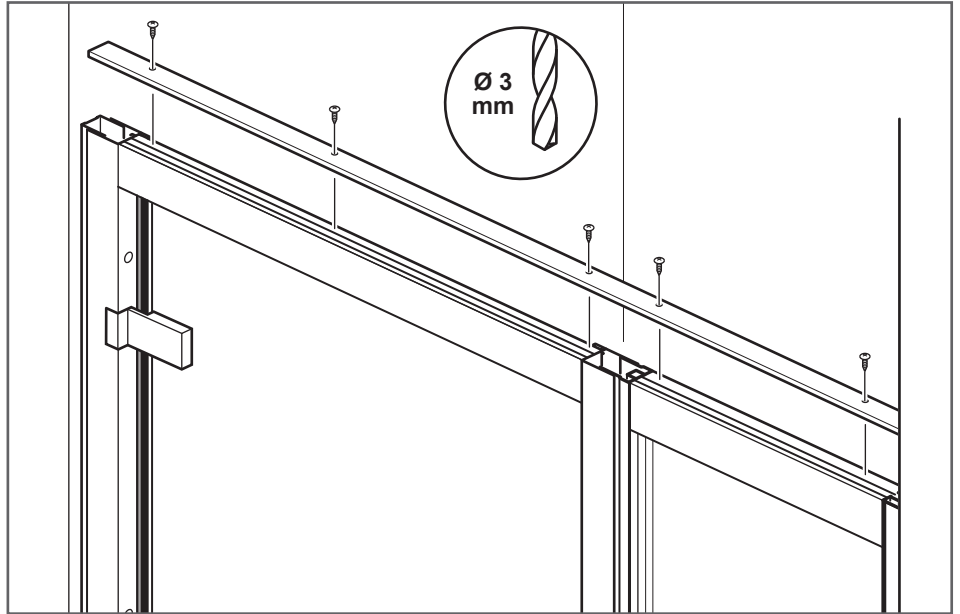
Step 8

Fitting the top bracing rail.

Position the bracing rail (F) on top of the door and inline panel assembly and cut to the length required.

Mark the fixing hole positions onto the top of the assembly, as close to the box sections as possible.

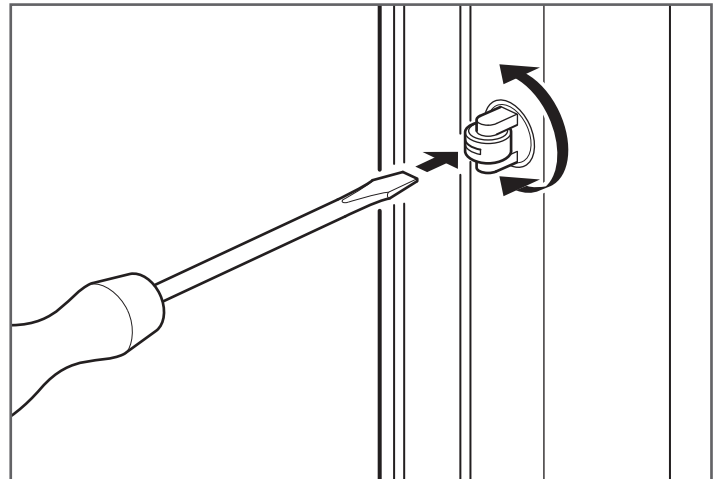
Drill 3mm holes in the positions marked and fix the bracing rail in position using the 10mm screws (A).



Step 9

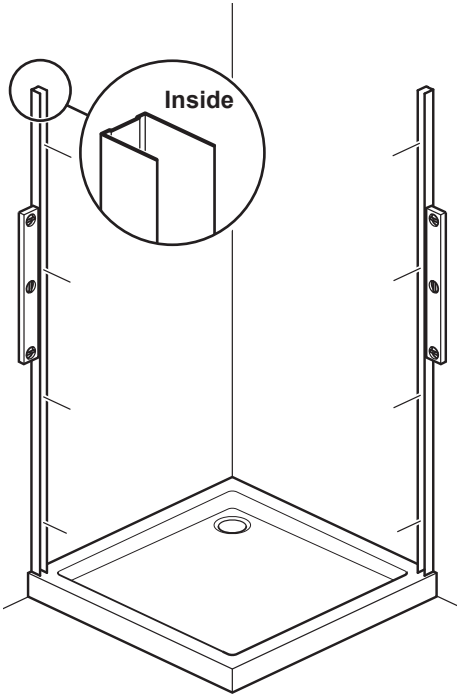
If required one or both roller catches on the door can be adjusted to change the amount of resistance that is required to open and close the door.

Open the door and stand in the opening facing the catch. Rotate the catch with your finger until you see the screwdriver slot in the roller, insert a screwdriver into the roller and push the roller fully into the door frame. To reduce the resistance on the door, give the roller one full turn clockwise and release. To increase the resistance on the door, give the roller one full turn anticlockwise and release. Adjust as required.



HINGED DOOR & SIDE PANEL

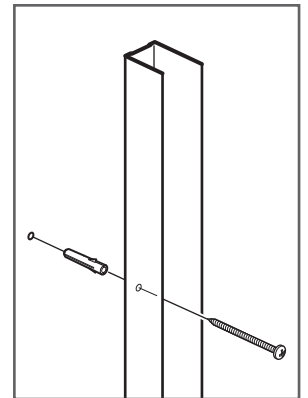
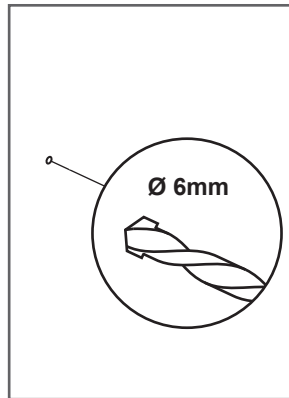
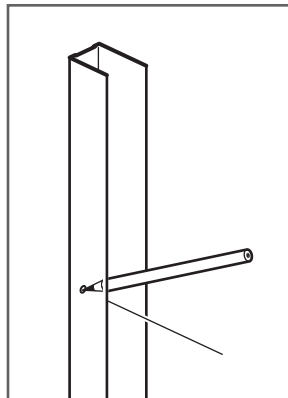
Step 1



Remove both wall channels from the door frame. **Note:** Ensure the longer leg of each wall channel is on the inside of the enclosure when fixing. Place each wall channel in position on the tray (10 - 15mm in from the outer edges of the tray), use a spirit level to ensure they are vertical and mark all 8 fixing holes onto the walls.

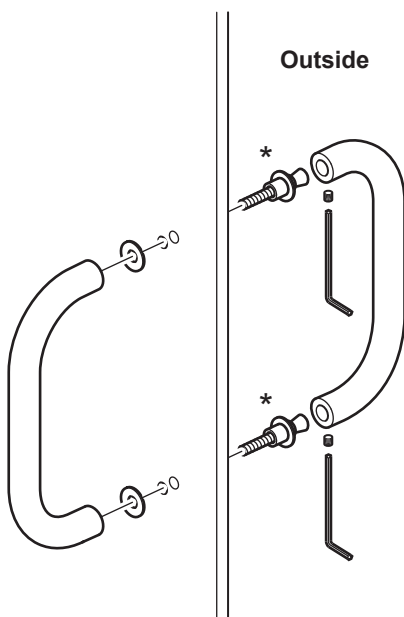
Drill holes in the positions marked using a 6mm masonry drill bit. Insert wall plugs (C) into all of the holes (beyond the thickness of the tile). fix the wall channels to the wall using 8 x 50mm screws (B).

Note: Inject silicone sealant into the holes before inserting the screws to seal the holes.



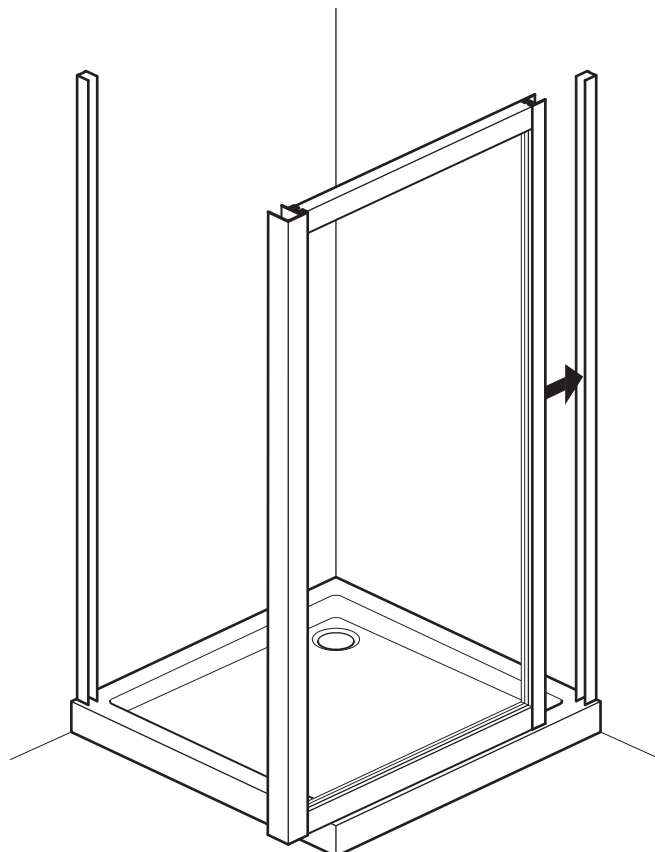
Step 2

Fit the door handle (E) with the grub screws under the outside handle. First dismantle the handle using the hexagonal key supplied. Attach the inner handle tightening the screws (*) onto the door. Re-attach the outer handle as shown.



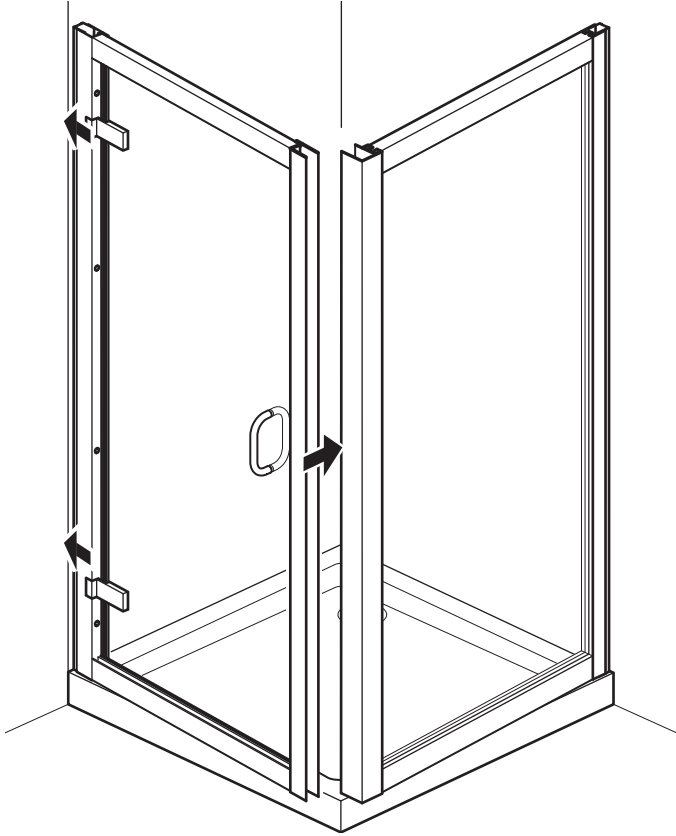
Step 3

Fit the side panel into the wall channel and position correctly on the tray.



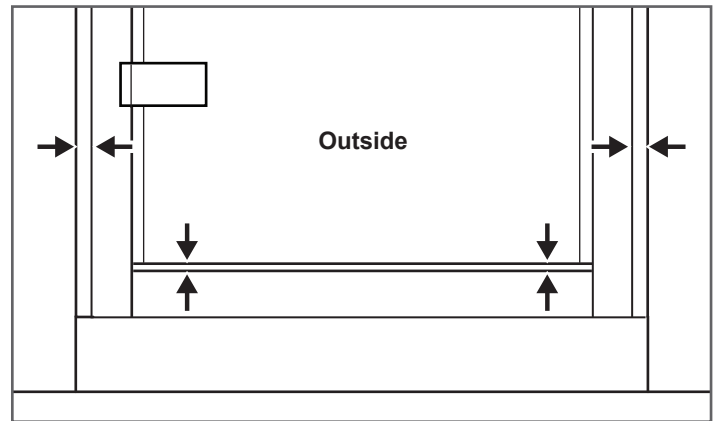
HINGED DOOR & SIDE PANEL

Step 4



Fit the door onto the other wall channel and swing the free end into position on the tray. Push the corner post, fixed to the side panel, onto the side of the door.

Before fixing the door and side panel to the wall channels and corner post you must make sure that the door is centred between the wall channel and corner post.



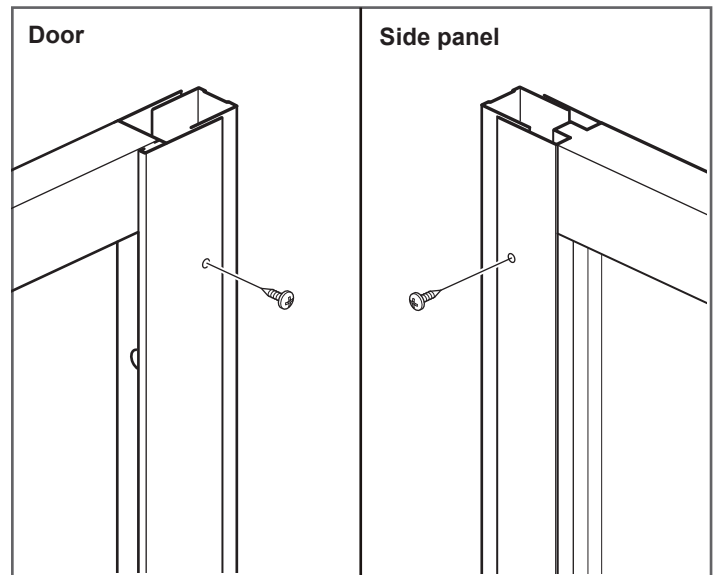
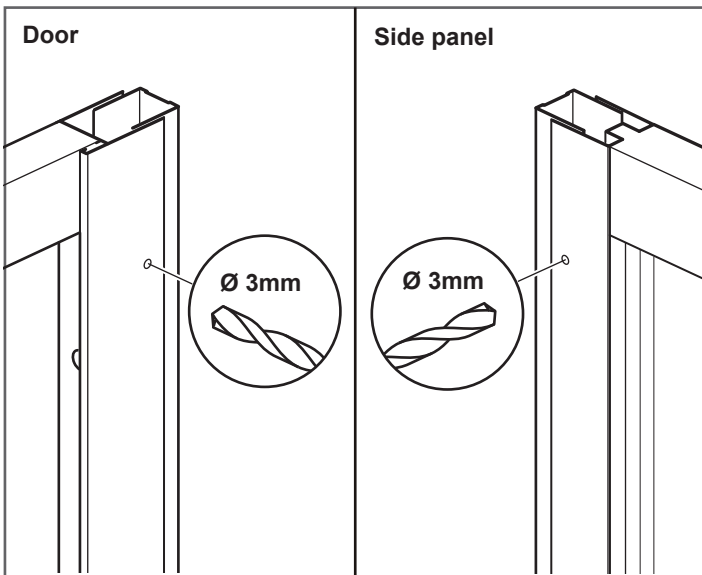
Step 5

Once you have checked that the door opens and closes correctly and the corner post is vertical, fix the door and side panel to the wall channels and corner post.

From inside, drill 4 holes through the door frame and side panel

into the wall channels (in the marked positions) using a 3mm drill bit.

Note: Stop drilling as soon as you feel the drill break through the first 2 layers of aluminium. Fix using 8 x 10mm screws (A).



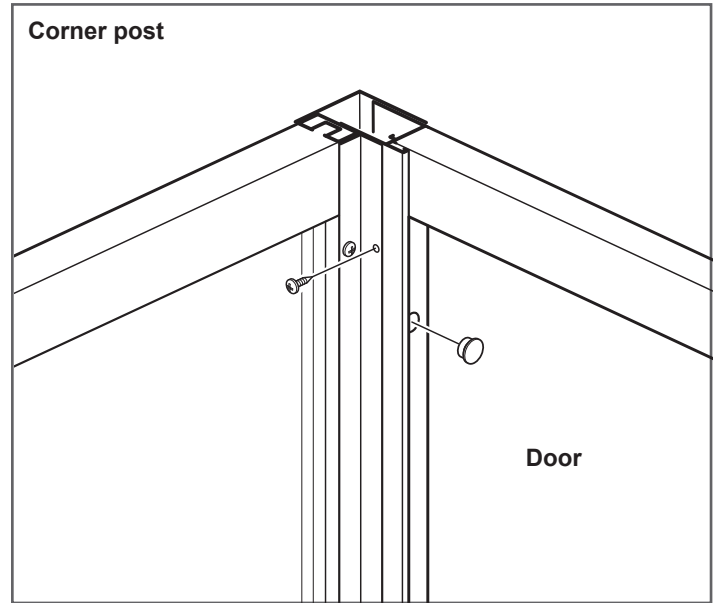
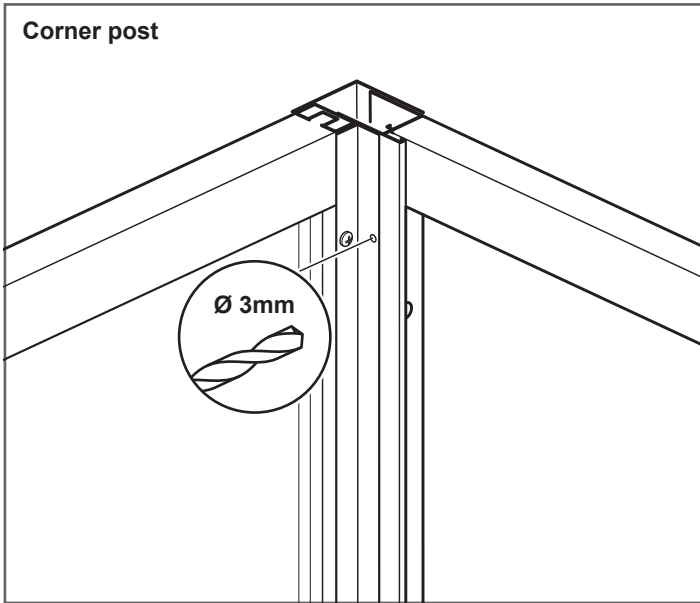
HINGED DOOR & SIDE PANEL

Step 6

Check again that the corner post is vertical, and drill 4 more holes through the corner post into the door (in the marked positions) using a 3mm drill bit.

Note: Stop drilling as soon as you feel the drill break through the first 2 layers of aluminium. Fix using 4 x 10mm screws (A).

Push all 8 hole covers (D) into the holes in the inner faces of the door frame.



Step 7 - Recommended with the two side panel option only

The brace bars are recommended when there are two side panels in the assembly.

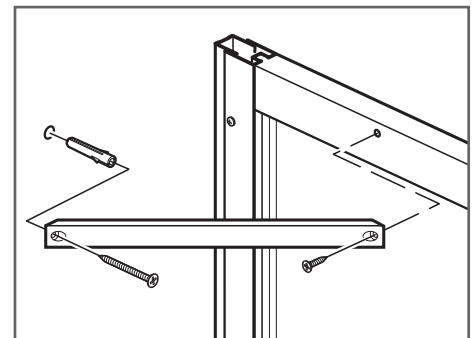
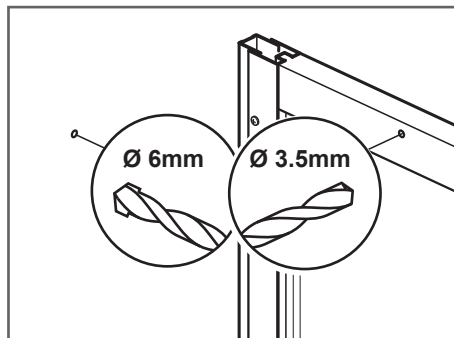
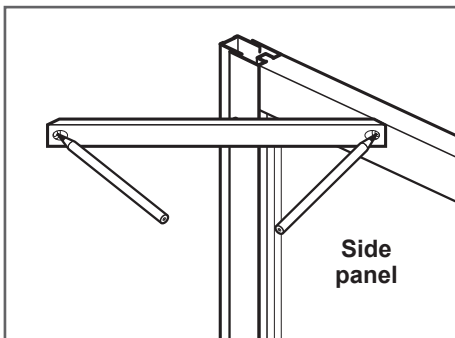
Fit the brace bar (G). Position the brace bar in the corner with one end on the side panel and the other against the wall. Use a spirit level to insure it is level as shown and mark the screw hole positions onto the side panel and wall.

Drill a hole in the position marked on the wall using a 6mm masonry drill bit. Insert a wall plug (C) into the hole (beyond the thickness of the tile). Drill a 3.5mm hole in the position marked on the side panel
Note: Stop drilling as soon as you feel the drill break through the first layer of

aluminium. Fix the brace bar to the wall using a 38mm counter sunk screw (I).

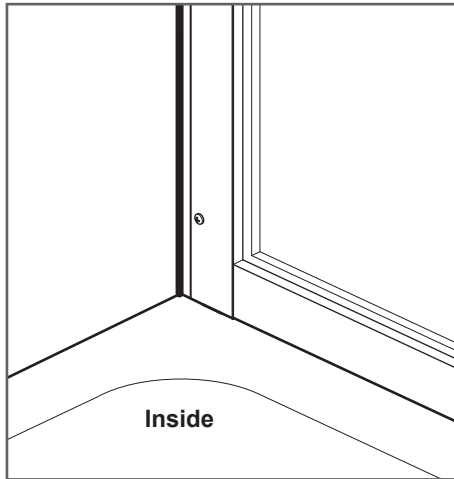
Note: Inject silicone sealant into the hole before inserting the screw to seal the hole.

Fix to the side panel using a 15mm counter sunk screw (H).



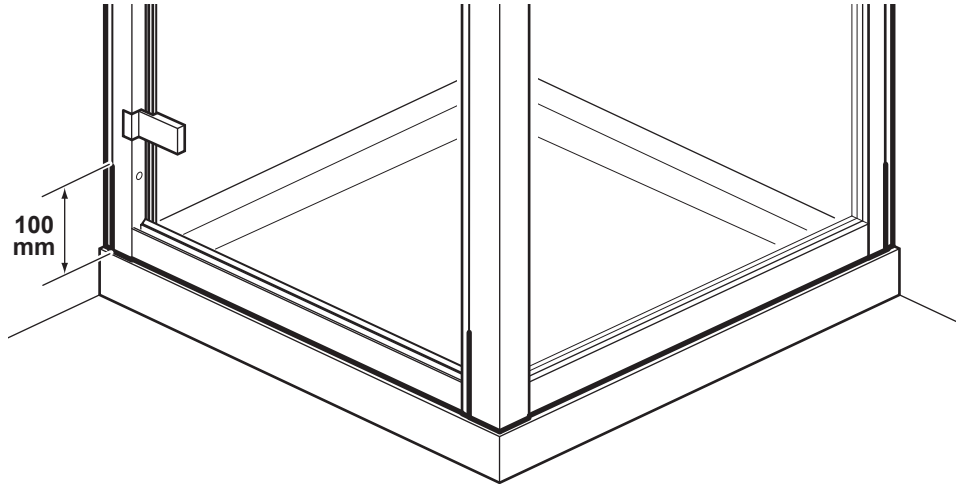
HINGED DOOR & SIDE PANEL

Step 8



Sealing inside: Run a line of silicone sealant from top to bottom down the joint between the wall channels and tiles.

Do not seal the enclosure to the tray on the inside.



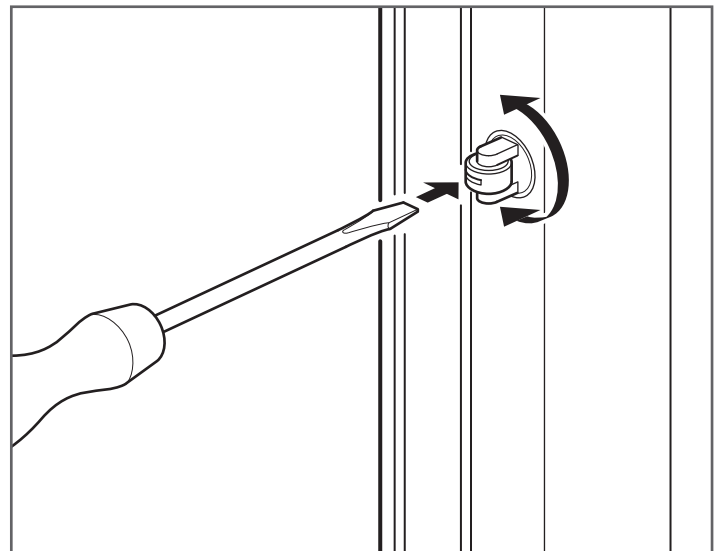
Sealing outside: Run a line of silicone sealant from top to bottom down the joint between the wall channels and tiles. **Note:** If required you can also run a line of silicone sealant 100mm up the joint where the door and side panel slots onto the wall channels and centre post.

Run a line of sealant around the base in the joint between the bottom of the enclosure and the tray, from wall to wall.

Step 9

If required one or both roller catches on the door can be adjusted to change the amount of resistance that is required to open and close the door.

Open the door and stand in the opening facing the catch. Rotate the catch with your finger until you see the screwdriver slot in the roller, insert a screwdriver into the roller and push the roller fully into the door frame. To reduce the resistance on the door, give the roller one full turn clockwise and release. To increase the resistance on the door, give the roller one full turn anticlockwise and release. Adjust as required.



Simpsons^x

For any further information please contact
Simpsons on: **01483 303711**

Or visit our web-site at:
www.simpsons-enclosures.co.uk

The manufacturer reserves the right to make technical
modifications without prior notice.