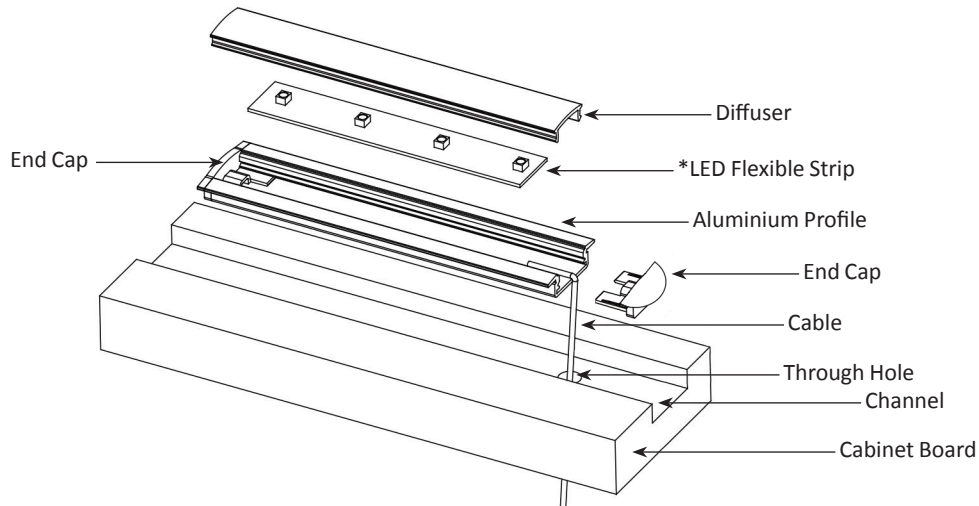


SE980120/SE980220 Installation Instructions



Components

1x Aluminium Profile, 1x Diffuser, 2x End Caps, 1x Instruction

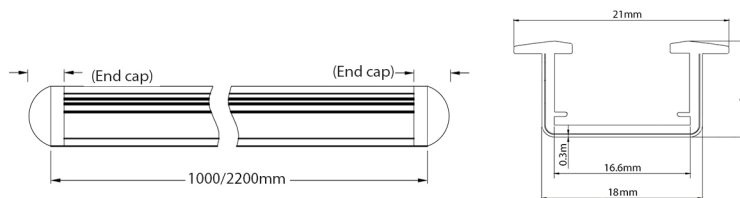
*Please purchase LED Flexible strip light, cables and drivers separately. Thank you.

IMPORTANT: Please read these instructions before commencing installation and retain for future reference

1. Create a channel of suitable size. See image for dimensions and cut out.
2. Slide the plastic diffuser out of the profile.
3. In installing flexible strip:
 - Place the empty Aluminium profile into the channel, remove the profile and drill a suitable hole through the cabinet as close to the end of the profile as possible to pass the cable through.
4. Remove the protector cap on the flexible strip and connect the connection cable through the hole.
5. Remove the sticky backing on the flexible strip. Then stick the LED flexible strip into the inner plane of the profile in the position required.
6. Place the plastic diffuser back in the profile. Put the end caps on both ends, feed the connection wire through the hole of end caps.
7. Wire/install the LED driver as advised in its installation instructions.
8. Press the profile into the channel and connect to the driver.

Dimensions of the Aluminium Profile

Cut-out:
width: 18mm
depth: 6.5mm



Important Safety Information

Please read these instructions carefully before attempting to install this product. It is advisable to keep these instructions in a safe place for future reference. **We recommend that you consult a qualified electrician. All electrical installations must be carried out in accordance with current IEE wiring regulations (BS7671).** These products must not be modified, if any modifications are made, it may invalidate the warranty and may render the product unsafe.

Do not wire the individual LED lights directly to the mains. This product is for indoor use only. Keep out of moisture and use only in dry rooms.

- Installation must be carried out by a qualified electrician.

Safety Instructions

- Before commencing installation or maintenance, isolate the main electrical supply for the appropriate circuit at the fuse board.
- Position lights where they will not be exposed to steam or splashes etc...
- Suitable for Furniture lighting
- Class III safety extra low voltage (SELV)

