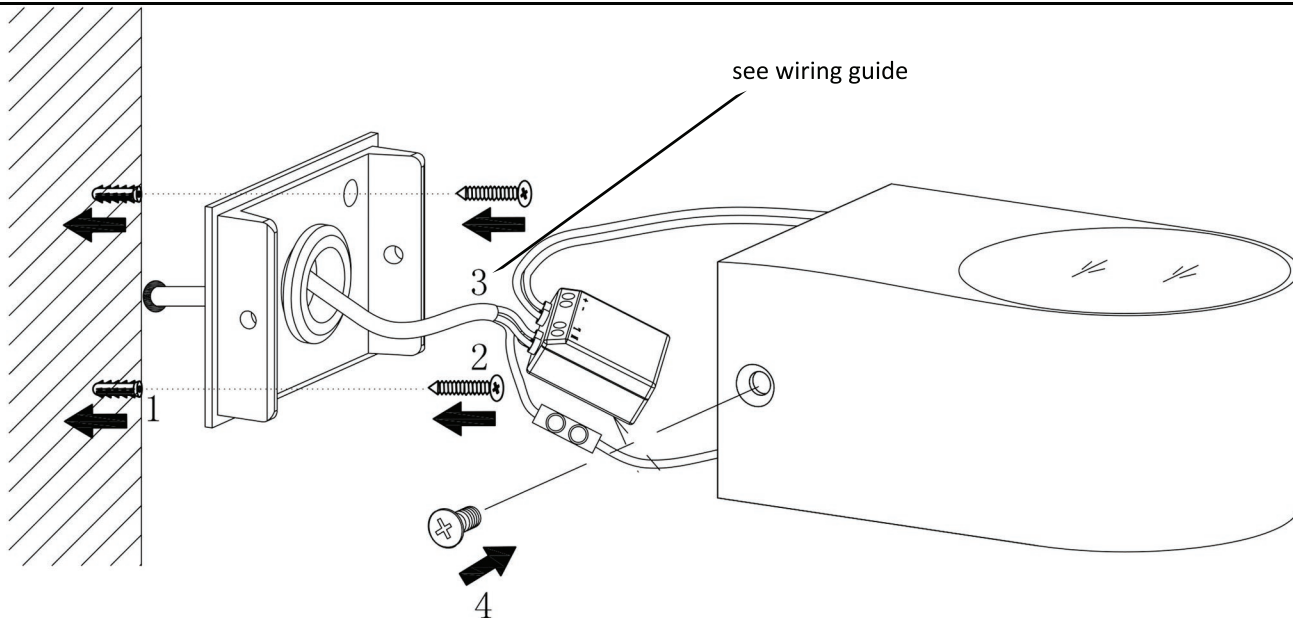


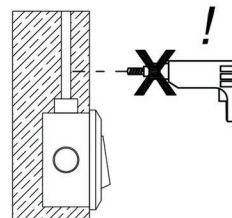
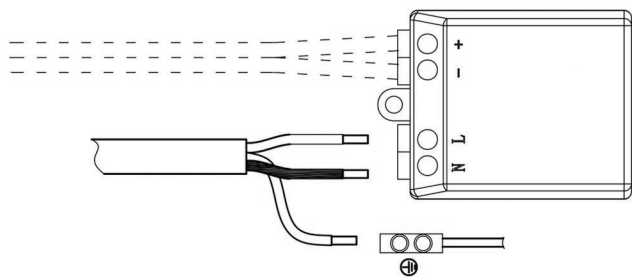
**INSTALLATION
INSTRUCTIONS**

IMPORTANT: Please read these instructions before commencing installation and retain for future reference.



Wiring Guide

Fitting wire colour	Connect to	Household circuit
Blue	Connect to	(Neutral)
Green/Yellow	Connect to	(Earth- Green or Green/ Yellow)
Brown	Connect to	(Live)



Safety Instructions

1. We recommend you consult a qualified electrician. All electrical installation must be carried out in accordance with current IEE wiring regulations (BS761).
2. Before commencing installation or maintenance, isolate the main electrical supply for the appropriate circuit at the fuse board.
3. This product is only suitable for connecting to a 240V supply.
4. This product should only be used indoors.
5. When installing please take care to avoid water pipes and electrical cables.
6. The light should be mounted onto a secure surface.

Waste Electrical & Electronic Equipment (WEEE)

The symbol on the product, or on the document accompanying the product, the crossed out wheellie bin symbol, indicates that this product may not be treated as household waste. Instead it shall be handed over to the applicable collection point for the recycling of electrical and electronic waste.



RoHS ✓
Compliant

