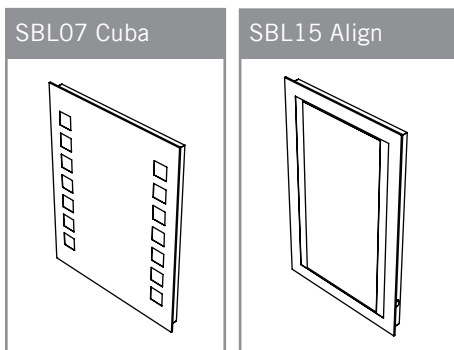
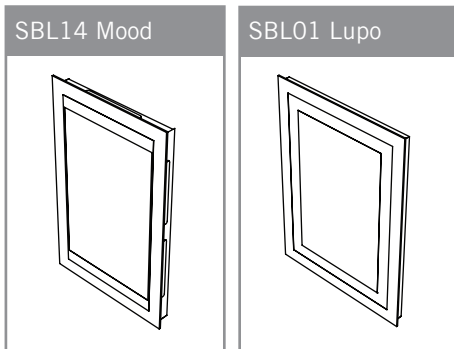
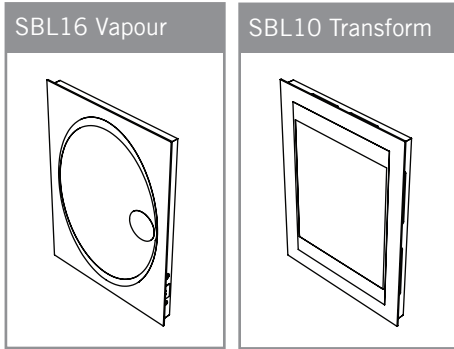


VAPOUR/TRANSFORM/MOOD/LUPO/CUBA/ALIGN

BACKLIT MIRROR

INSTALLATION & AFTERCARE INSTRUCTIONS



ELECTRICAL SAFETY INSTRUCTIONS (Applicable to UK Installations only)

All fittings must be installed by a competent person, in accordance with current IEE wiring regulations. In if doubt consult a qualified electrician

IMPORTANT

Always switch off the electrical supply at the mains during installation and maintenance. It is recommended that the fuse is withdrawn or the circuit breaker is switched off for the necessary circuit before installation commences.

Fitting in Bathrooms is subject to the appropriate zone in accordance with IEE Regulations. This product is suitable for zone 2 and outside zones. IT IS NOT suitable for installation in Zone 0 or Zone 1. It is also not suitable for installation in saunas, steam rooms or shower cubicles. This product is only suitable for permanent installation. DO NOT connect to a trailing plug and socket outlet. Although this product has an Ingress Protection rating of IP44 it is only suitable for indoor use. Do not attach the product to surfaces that are damp or otherwise electrically conductive.

INSTALLATION CARE & SAFETY

Wear suitable eye protection when drilling. Take care when using power tools near water - the use of a residual current device (RCD) is advised. Beware of hidden cables or pipes. Take care if drilling on tiled surfaces in case the drill slips. A piece of masking tape applied to the wall before marking out the fixing holes will stop the drill from wandering.

DO NOT strike glass components with hard or pointed items. **DO NOT** place very hot or very cold items against or in close proximity to glass surfaces unless an adequately thick insulation material is used to prevent such items coming in contact with the glass.

The nominal thickness of the mirror glass used in this product is 5mm and is film backed for safety. If the glass becomes chipped or broken replace immediately.

This product should be positioned well away from curtains and other fabrics. Never cover the mirror. This product is heated, we recommend that it is turned off after use and should never be left on for prolonged periods of time

This product could be dangerous and is only to be installed by a competent person.

CLEANING

It is recommended that the unit is cleaned with a soft, dry, non abrasive cloth when turned off. Never use cleaning agents or abrasive materials on any type of surface finish. Do not allow moisture to come into contact with the electrical components.

COMPLIANCE

This product complies with all relevant British and European safety standards.

WIRING

This product is manufactured to class I category and must have an earth connection.

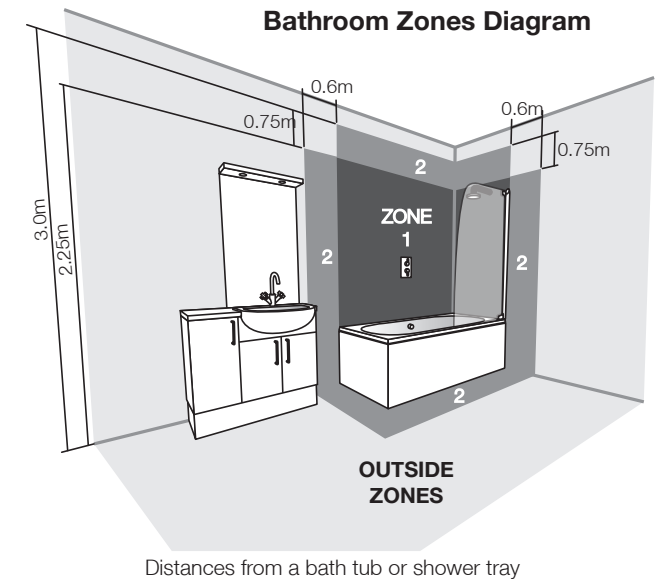
COLOUR CODING:

L - Live = Brown
N - Neutral = Blue
E - Earth = Green & Yellow

LIGHTS

32w T9 circular fluorescent lamp for Mood
40w T9 circular fluorescent lamps for Vapour, and Transform
13w x 2 fluorescent lamps for Lupo, Cuba & Align

To obtain a replacement lamp if faulty or broken contact customer services (see details at foot of page)



Customer Services

Tavistock, Brassmill Lane Trading Estate, Bath, BA1 3JF
t. 01225 787 870 e. info@tavistock-bathrooms.co.uk w: www.tavistock-bathrooms.co.uk

VAPOUR/TRANSFORM/MOOD/LUPO/CUBA/ALIGN

BACKLIT MIRROR

INSTALLATION & AFTERCARE INSTRUCTIONS

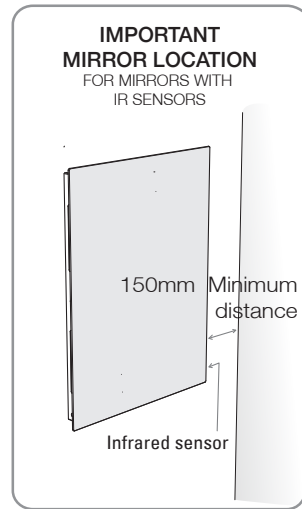
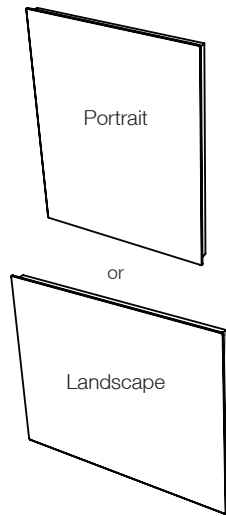
1

The following mirrors can be hung Landscape or Portrait

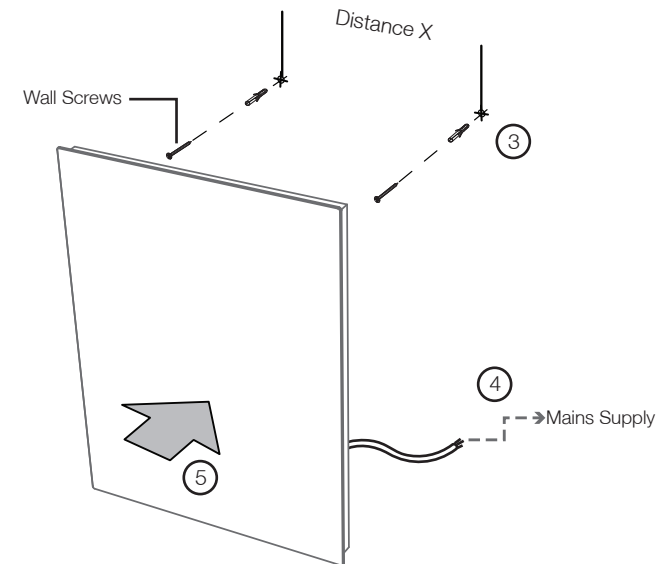
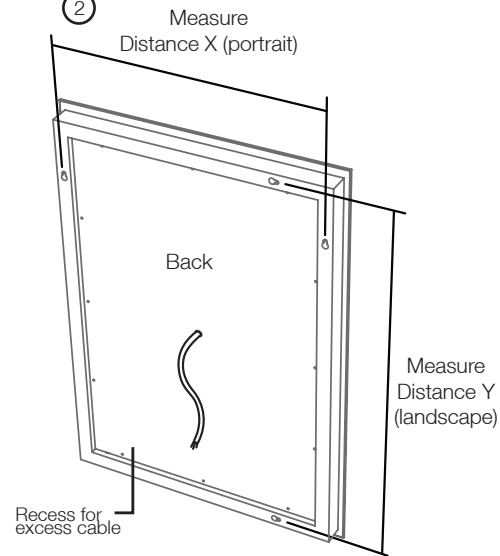
- Vapour
- Transform
- Align
- Mood

The following mirrors can only be hung Portrait

- Lupo
- Cuba



2



INSTALLATION PROCEDURE

The wall surface must be of suitable strength and construction.

- 1) Determine if the mirror is to be fitted portrait or landscape
* For mirrors with IR sensor please allow 150mm distance from adjacent walls.

- 2) Measure the distance (x or y) between the hole centres on the back of the mirror.

- 3) Draw a horizontal line on the wall at the desired height.

Mark the drill positions on the horizontal line using dimension (x or y) taken from step 2. Ensure the hole positions are horizontal by using a spirit level.

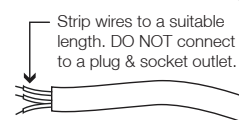
Accurately mark the 2 hole positions with a pencil, drill and fit the wall plugs.

NOTE: The wall plugs supplied are only suitable for solid stone / brick walls. For plasterboard walls use specialist wall plugs.

- 4) The next step is to make the electrical connection from the mirror to the mains supply. Use the connection wire found at the rear of the mirror to make the necessary connections in accordance with the current IEE regulations. A second person will need to hold the mirror in place whilst electrical connections are made.

THIS PRODUCT IS MANUFACTURED TO CLASS I CATEGORY AND MUST HAVE AN EARTH CONNECTION.

Colour Coding:
L - Live = Brown
N - Neutral = Blue
⊕ - Earth = Green & Yellow



! IF IN DOUBT CONSULT YOUR ELECTRICIAN !

- 5) Insert the wall screws supplied into the wall plugs. Screw head should protrude approximately 5mm from hole (this may vary depending on individual installation). Mount the Mirror onto the screws fitted to the wall. Ensure mirror is securely mounted.

OPERATING INSTRUCTIONS

Lighting is turned on / off using the infra red sensor (for Vapour/Transform/Mood) or a pull switch (for Lupo/Cuba) or a rocker switch (for Align).

Mirrors with heated demister pad

The heated demister pad found on Vapour, Transform & Mood are operated when the mirror lights are turned 'on'. DO NOT leave on for prolonged periods of time

Mirrors with Shaver Socket

To operate the shaver socket on Vapour turn the rocker switch on until it illuminates red.

Always turn shaver socket to OFF when not in use.

Customer Services

Tavistock, Brassmill Lane Trading Estate, Bath, BA1 3JF
t. 01225 787 870 e. info@tavistock-bathrooms.co.uk w: www.tavistock-bathrooms.co.uk