

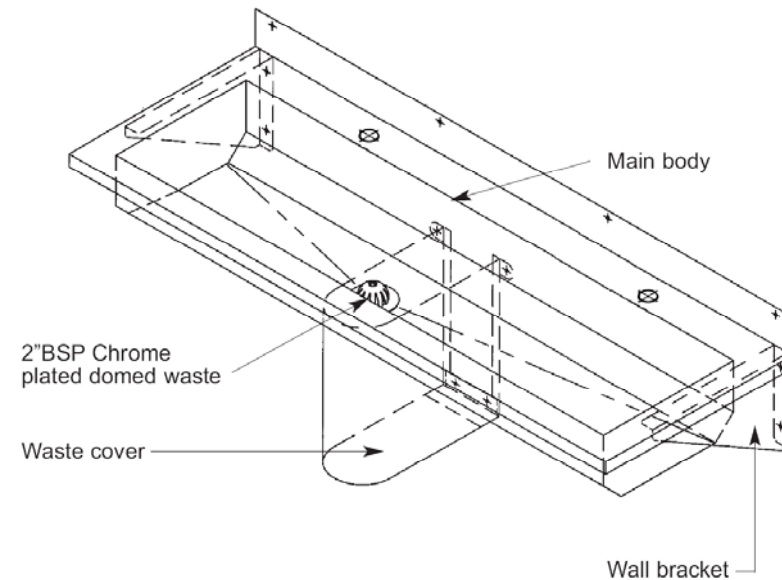
B1019 - SANX120/180 Wash Trough Mounting Instructions

Mounting of Wash Trough and Waste Cover

1. Offer the wash trough up to the wall in the required position and make level at the required height (normally approximately 900 mm from the floor).
2. Mark through the holes in the upstand at the back of the main body. Remove the wash trough and place to one side.
3. Drill the wall in these positions to take wall fixings (not supplied). Support the front edge of the body and screw the wash trough to the wall with No.10 stainless steel screws (not supplied).
4. Place the wall brackets under the rim at each end of the wash trough, ensuring the polished face is to the outside as shown. Ensuring that the brackets are vertical and pushed up tight to the underside of the trough to support it squarely to the wall, mark through the bracket holes at each side. Screw the brackets to the wall as described above.
5. Fit the 2" chrome plated domed waste outlet into the base of the trough as shown.
6. Position the waste outlet cover centrally over the 2" BSP outlet and push up to the base of the body as shown. Mark through the holes in the top tabs and in the bottom angle of the cover. Drill the wall and fix the cover in position with suitable wall fixings and stainless steel screws (not provided).
7. Fit a suitable 2" BSP 'P' or 'S' trap such as McAlpine SE10 or SF10 (not supplied).
8. Fit suitable taps in the \varnothing 32 mm holes provided (taps not supplied).



Saturn Wash Trough with Waste Cover



1200mm long unit illustrated. Note: Wall Fixings are not supplied.

SANX120 - 1200mm long Wash trough - 2 tapholes.

SANX180 - 1800mm long Wash trough - 3 tapholes.