

FITTING INSTRUCTIONS

Please read instructions carefully before fitting the seat, and refer to Care instructions for maintenance.

Place the Seat Washers onto the Hinge Plate, and insert the Joining Bolts into the toilet-pan fixing holes.

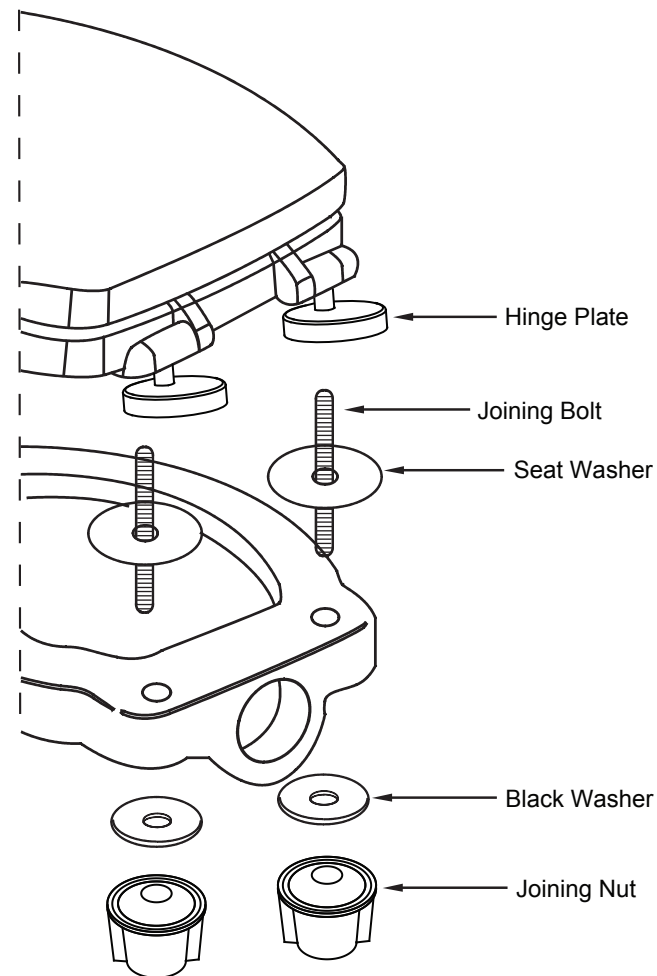
Place the Black Washers through the Joining Bolts, and secure the Joining Nuts to the Joining Bolts, ensuring a secure final fit to the underside of the toilet-pan. Joining Nuts must be tight otherwise the seat will move around, but do not over tighten as this may damage the toilet-pan; after a few days further tighten nuts to allow for the compression of Seat Washers that would have occurred.

CARE INSTRUCTIONS

The toilet seat has been coated with a durable lacquer, but still needs to be treated with care.

- Surfaces should be cleaned regularly with a soft damp cloth and mild soap.
- Do not scrub or use abrasive cleaning materials.
- Do not use bleach or cleaners containing bleach.
- Polishing of the seat surfaces should not be needed, but a wax free polish is advised as this does not smear.
- As with all toilets seats: If you use bleaches and strong cleaners in the pan, do not leave the seat closed whilst the cleaner acts on the pan– the fumes from bleaches & cleaners may destroy and/or discolour the finish on the seat.
- **IMPORTANT!** Do not stand on the lid or toilet seat; this may cause damage to it.

INSTALLATION METHOD



Important

- Le corps du produit est 100% chromé, avec les vis en acier inoxydable poli.
- Nous recommandons de nettoyer le produit à l'eau claire ou avec un nettoyeur doux et de l'essuyer ensuite à l'aide d'un torchon doux.
- Vous êtes priés de ne pas utiliser de nettoyeur contenant de l'acide chlorhydrique ou des produits chimiques caustiques.
- Evitez d'égratigner la surface avec des objets durs et n'utilisez pas un chiffon à maille grossière pour essuyer.
- Les produits doivent être installés par un professionnel, en suivant les instructions d'installation recommandées.

