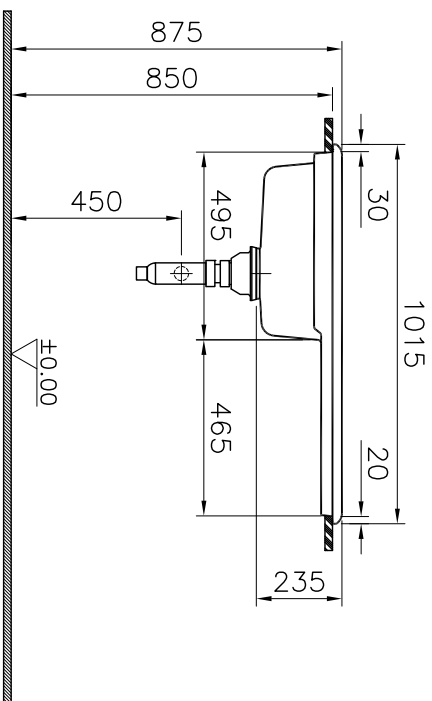
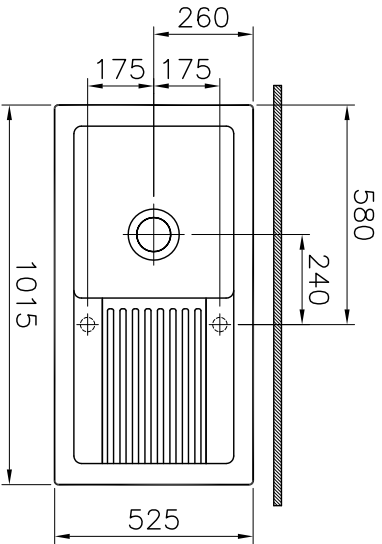


| | |
|--------------------------------|-----------|
| Theoretic Mass(kg) | Revision |
| Surface Area(dm ²) | A4 |

| | | |
|--------|------|-------|
| Thread | Hole | Shaft |
|--------|------|-------|



TR: Eviyelerin armatür deliği açılmamıştır. Kullanım için istenen konuma göre armatür deliği montaj esnasında açılmaktadır.

GB: The sinks have semi-punch faucet holes and can be reversed by punching the faucet hole before installation

DE: Küchenspüle wird ohne Hahnloch geliefert. Je nach Bedarf kann das Hahnloch während der Montage nachgestochen werden.

**CONTROLLED DOCUMENT
MAINTAIN UPDATED**

| Item | Quantity | Part Name | Series | Material | Drawing No | Material | Material Class |
|--|----------|---------------|-------------|------------|------------|----------|----------------|
| 1 | 1 | Sink 100 cm | ARKITEKT | Ceramic | 4107-0755 | Ceramic | |
| <p><small>This drawing can only be used for the intended purpose. Unauthorised copying is strictly prohibited.</small></p> | | | | | | | |
| Drawn By | | Controlled By | Approved By | Date | Drawing No | Scale | |
| U.ANDONER | | O.KONEZ | B.TOPÇU | 19.09.2006 | 4107 | 1/20 | |
| Description | | Date | NAME | | | | |
| RS | | | | | | | |

VITRA® | ARTEMA®