

HALO | Two Tier Corner Basket

This product should be fitted in accordance with the manufacturer's fitting instructions. Please read the following instructions carefully.

Care and Safety

Take care using power tools - The use of a residual current device (RCD) is recommended. Beware of hidden cables or pipes when drilling. Take care when drilling on glazed tile surfaces in case the drill slips.

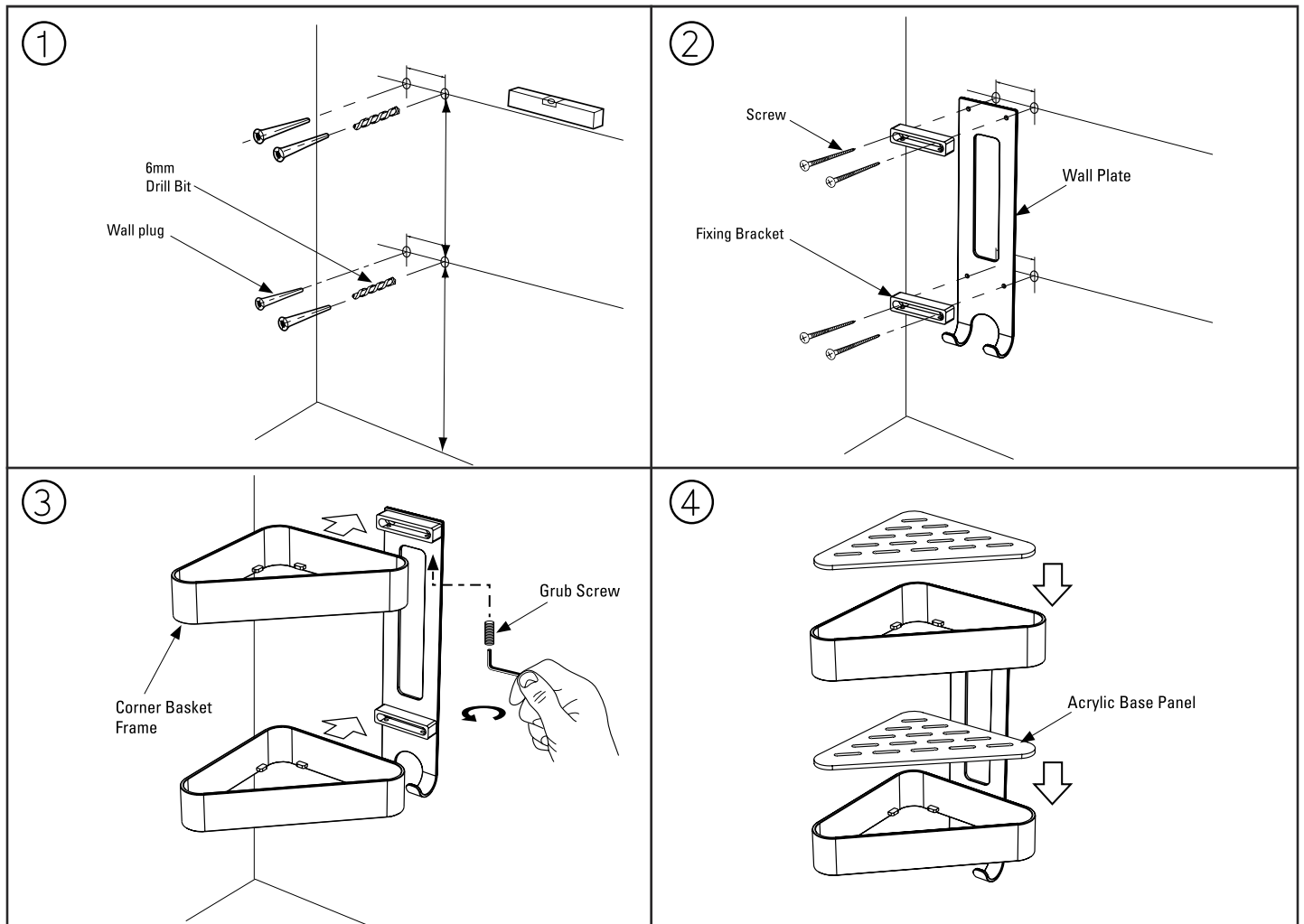
Fitting Instructions (See diagram and refer to description below)

- Note: Wall plugs supplied are only suitable for solid stone / brick walls. For plasterboard walls use specialist wall plugs
- Offer the wall plate up to the wall in the desired location. NOTE: The wall plate should be positioned a minimum of 63mm from an adjacent wall to allow space for the baskets.
- Cover the area of the wall where the wall plate screw holes line up with masking tape. TIP - masking tape applied to the wall will help stop the drill wandering, particularly on tiled surfaces.
- Using a spirit level mark a horizontal centre line onto the masking tape to indicate the position of the upper wall plate screw holes.
- Offer the wall plate up to the wall again aligning the upper screw holes on the centre line, then mark the location of each of the 4 screw holes.
- Drill each screw hole using a 6mm drill bit to a depth of 35mm and install suitable wall plugs.
- Screw the fixing brackets to the wall sandwiching the wall plate in between.
- Slot the baskets into the fixing brackets and tighten the 4 grub screws on the underside of the fixing brackets.
- Slot the acrylic base panels in position (see diagram below). Ensure baskets are secure and stable.

Cleaning

We recommend cleaning using a soft damp cloth only. Do not use metal cleaners or other abrasive cleaning agents.

Please retain this information leaflet for future reference.



Contents

- 1 x Two Tier Corner Basket (2 x Corner Basket Frame / 1 x Wall Plate)
- 2 x Acrylic Base Panel
- 2 x Fixing Bracket
- 4 x Wall Plugs (Suitable for Solid Stone / Brick Walls)
- 4 x Screws
- 1 x Allen Key



WARNING

Do Not lean or place excessive weight on the basket