

# ASSEMBLY INSTRUCTIONS WALL-HUNG PANS WITH HIDDEN FIXING SYSTEM

crosswater<sup>®</sup>

code	fixing and connection measures			
	A	B	C	D
PI6006CW	30	5	70	40

## IMPORTANT - Advice and safety - Please read before Installation

Check the contents of the pack carefully before installation. Bauhaus will not be held responsible for any de-fit / re-fit costs where faulty product has been fitted.

If any fault is found with materials or workmanship, it must be reported immediately to the manufacturer. Remedial action will be taken, based on information received, on condition that: 1. Full details are supplied to the manufacturer; 2. The product has not been modified or tampered with; 3. The manufacturer is informed of any damage/shortages prior to installation. 4. The product has not been installed, or attempts have been made to install.

We do not accept responsibility for any problems that may occur through incorrect installation.

This product should be only be installed by a suitably qualified Plumber/ installer. Should the installation be completed by a non-qualified person any product guarantee maybe considered invalid. For a claim made under our warranty written certification of your installers qualifications can be required.

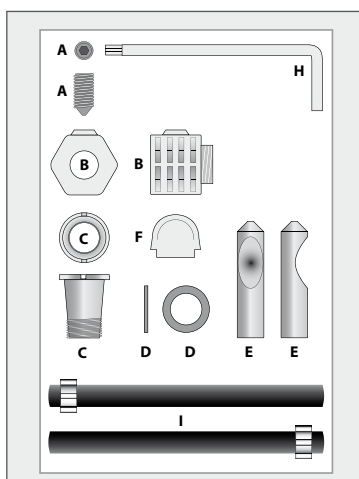
If any maintenance is required then it must be carried out by a qualified Plumber.

The manufacturer reserves the right to make technical modifications without prior notice.

## CLEANING

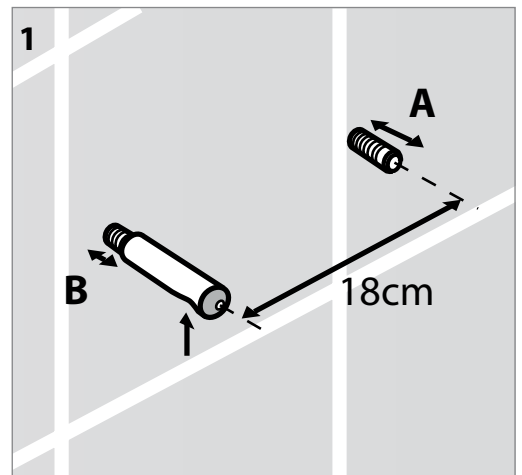
Sanitary ware, toilet seats and ceramics:  
Sanitary ware/ceramics should be cleaned after use by applying a little cream-type cleaner using a sponge or damp cloth and rinsed thoroughly with clean water. In hard water areas a good quality lime-scale remover can be applied.

Lower fixing kit cod. FKSG2

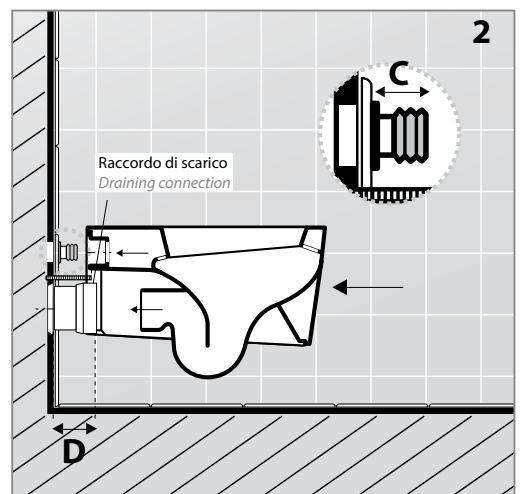


**1** Flush inlet, exit drain measurements and frame fitting bolts must be adjusted according to the measures detailed. Cut the threaded bolts to length and screw the two steel cylinders into place until in the correct position.

**ATTENTION:** the two recessed sections on the cylinders have to be turned to point down to facilitate fitting of securing screw.

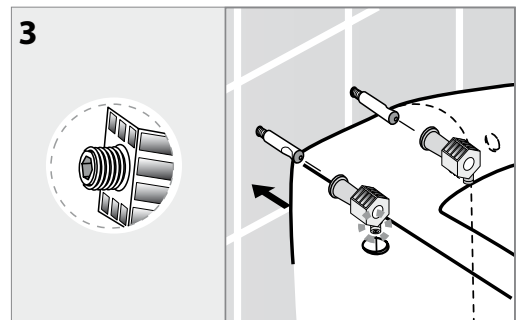


**2** Prepare the connection for the outlet pipe to the correct dimension shown. Assemble the outlet connection on the WC and cut it according to the correct length. Then locate the WC on the fitting bolts and push it to the wall taking care to correctly engage each connection. Applying a suitable silicone lubricant prior to final install will assist.

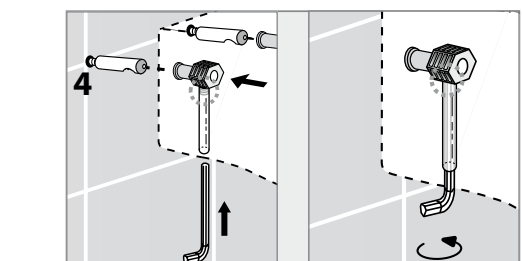


**3** When you pushing the WC on the fitting bolts make sure that the fixings don't move.

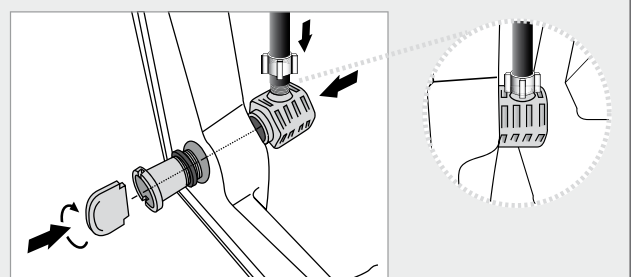
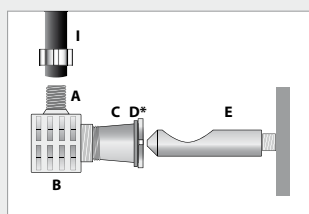
**ATTENTION:** The securing screw must point out as shown.



**4** Fully tighten the fitting screws using the key supplied, make sure the WC is screwed flat to the wall surface. We suggest to rotating the screw fixing little by little until the WC is securely fitted.



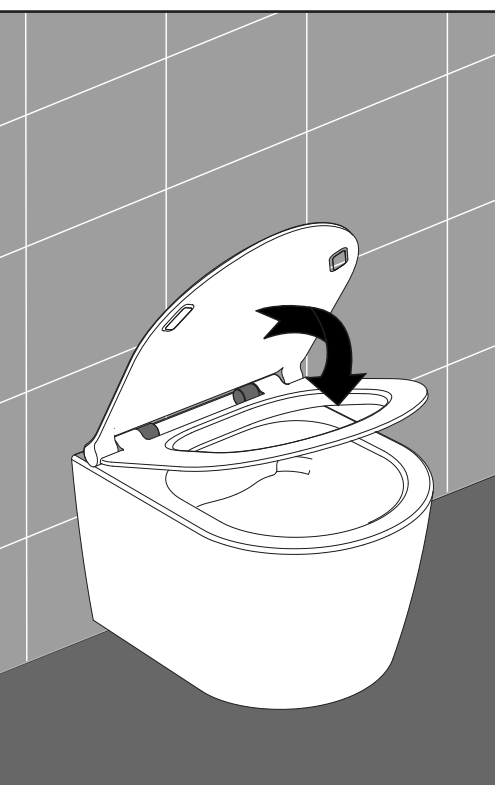
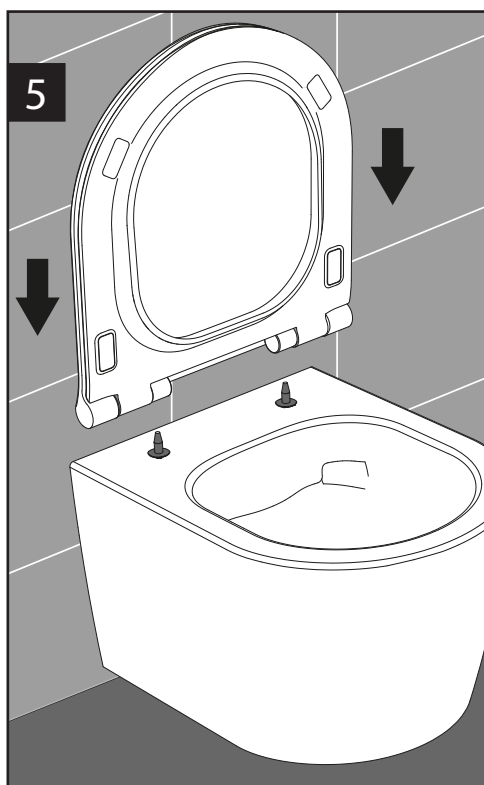
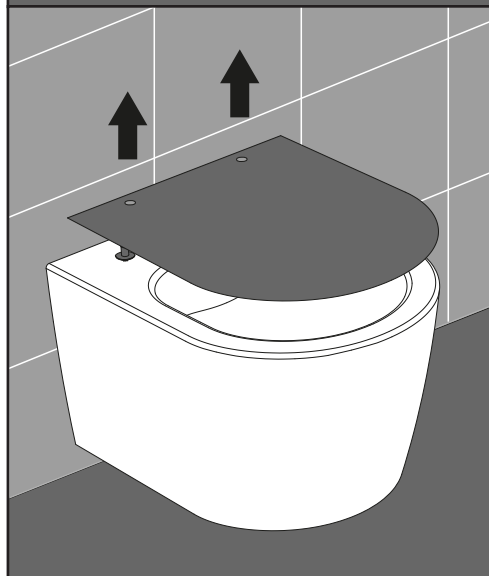
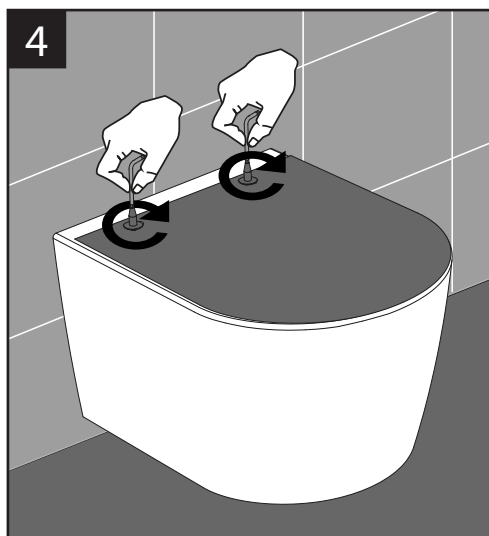
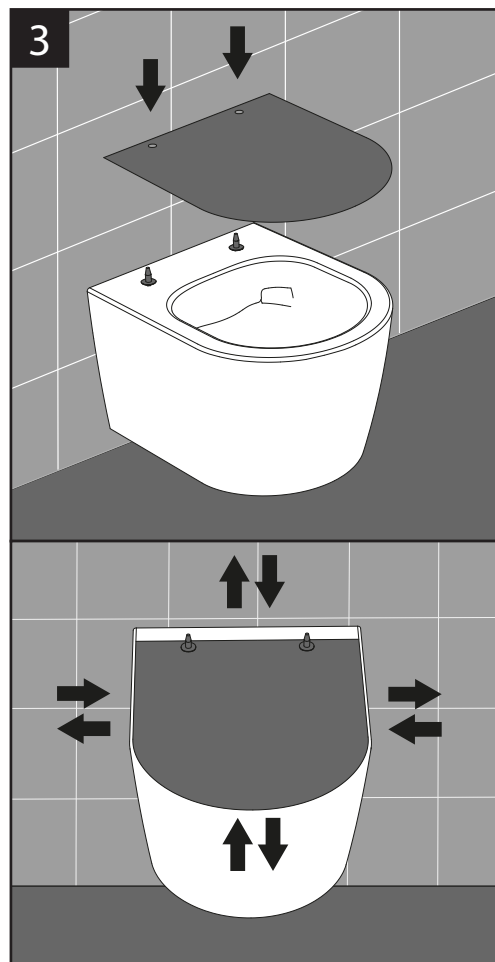
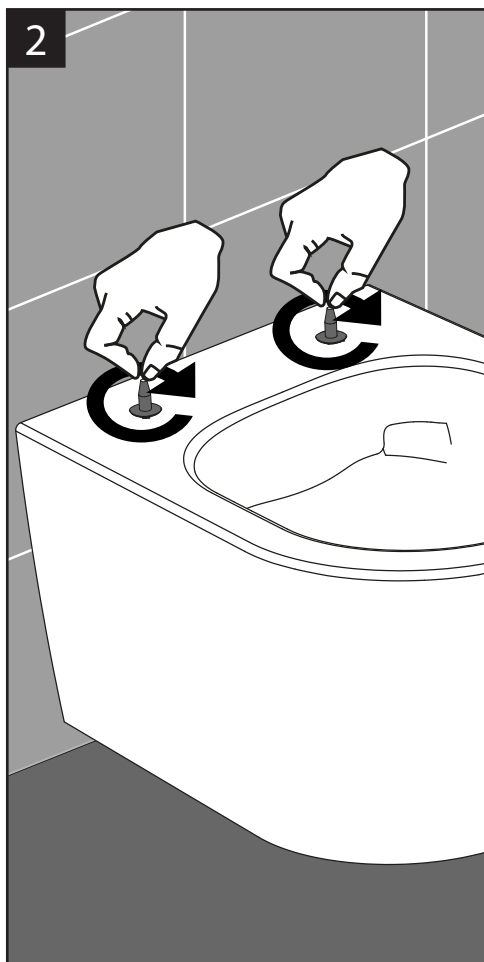
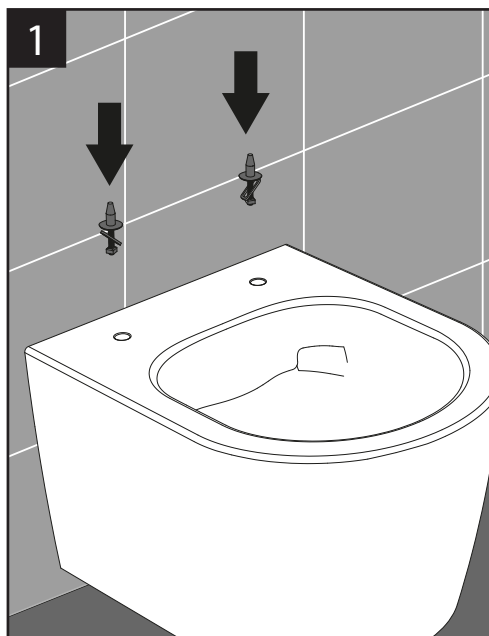
Pans provided with lower fixing.



# ASSEMBLY INSTRUCTIONS

PI6106W PIER SOFT CLOSE / QUICK RELEASE WC SEAT

crosswater<sup>®</sup>



## CLEANING

Clean the toilet seat with mild cleanser (such as soapy water) and warm water then dry it with a clean soft cloth.

We strongly advise against the use of ALL cleaning products containing bleach or abrasive substances.

Metal plated parts should be cleaned with micro-fibre cloth or similar.