

Close Coupled & Back To Wall WC Sainitaryware

Fitting Instructions



Before starting any installation project please consider the following:
Prior to drilling into walls, check there are no hidden electrical wires or cables or water supply pipes with the aid of an electrical detector.
If you use power tools do not forget:

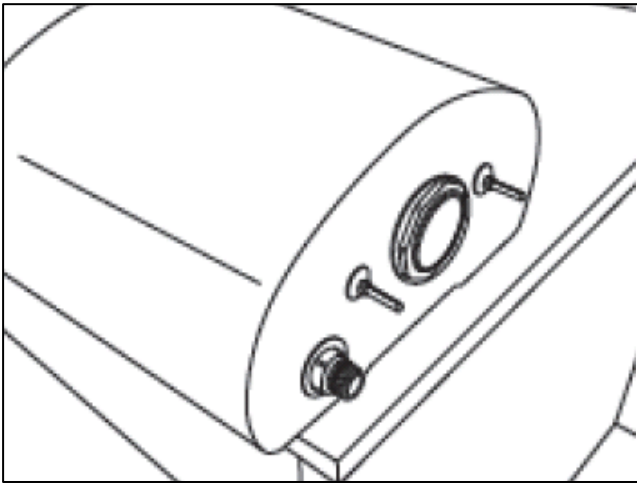
- Wear eye protection
- Unplug equipment after use



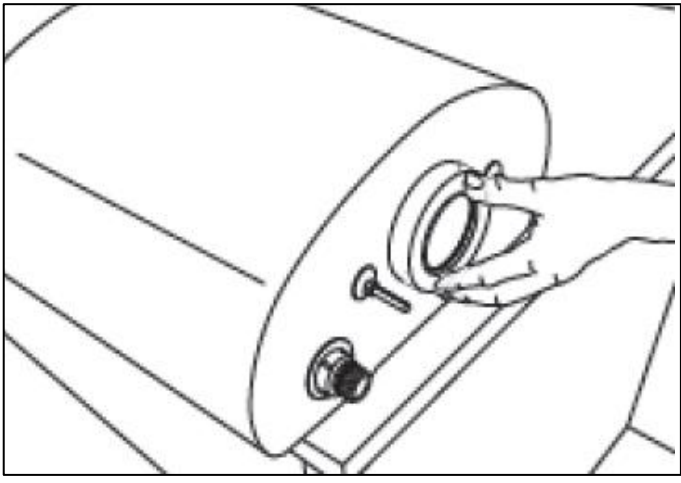
This is a heavy product & will require a two man lift.



Close Coupled Installation.



1. Position the cistern on its back to allow fitting of the base coupling fittings. Fit the close coupling bolts from the inside of the cistern with the washers assembled as per the diagrams 1&2. (The actual kits vary depending on whether it is a lever or push button operated flushing system).



2. Locate the large foam seal and place this over the plastic cistern outlet positioned in the centre. The foam seal should fit flush with cistern base.

Diagram 1.

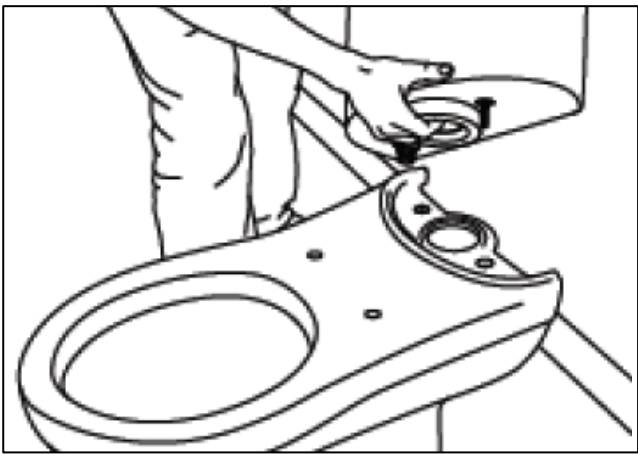
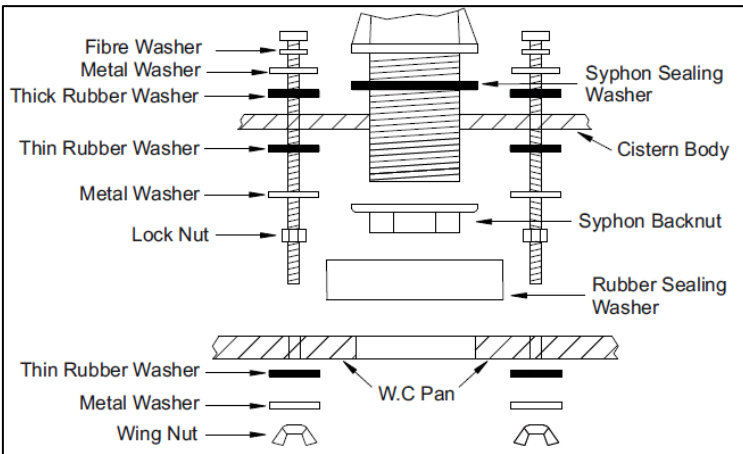
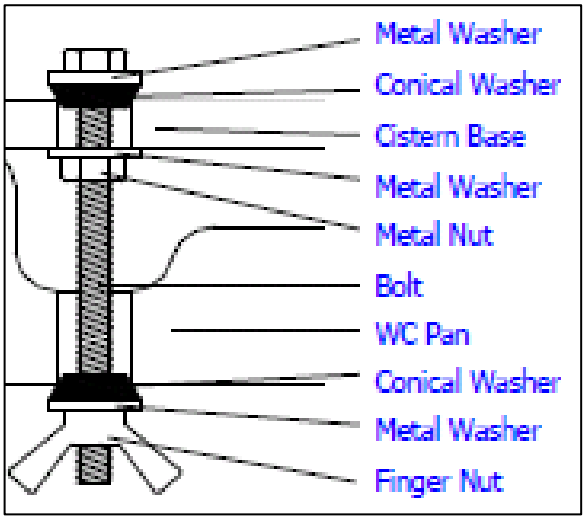


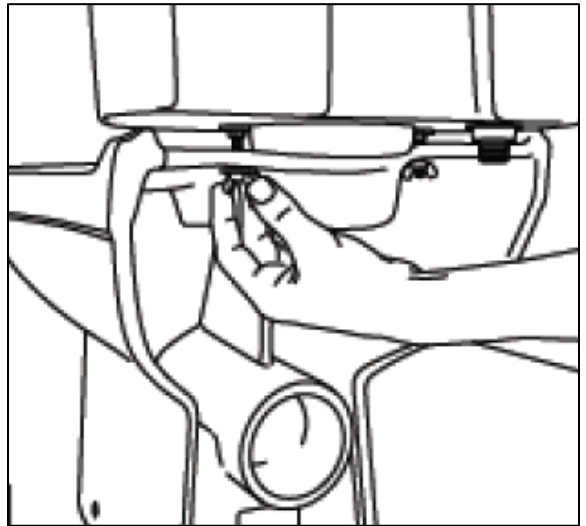
Diagram 2.



3. Position the cistern body onto the close-coupled pan. The two threaded bars should fit smoothly through the two corresponding holes on the cistern platform of the pan.



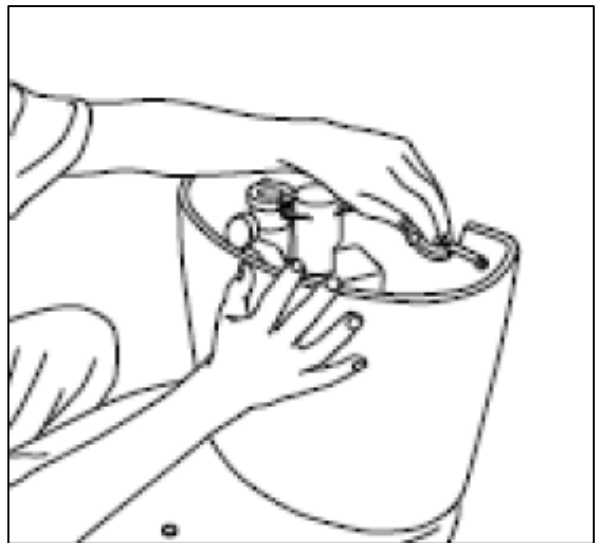
4. Gently lower the cistern body into place, keeping it supported to prevent it falling.



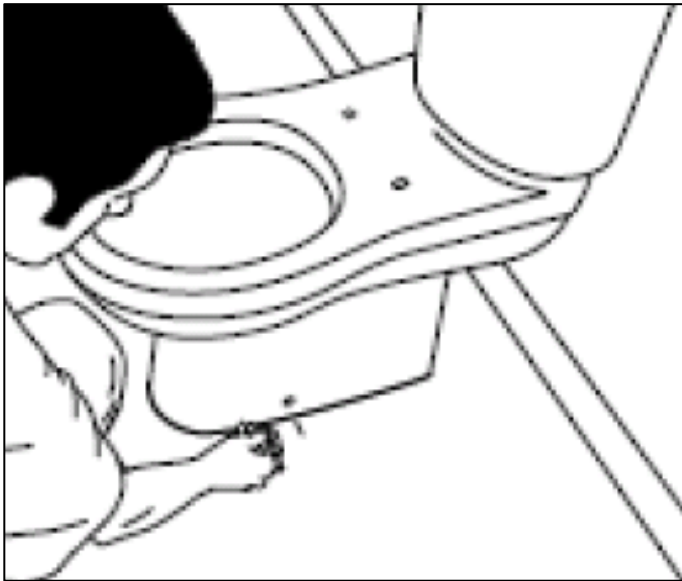
5. Fit the washers and wing nuts to the underside of the cistern and tighten to finger tight.



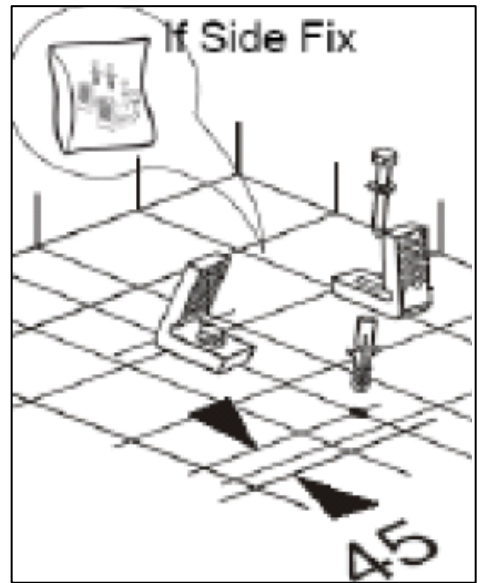
6. Position the close coupled pan in the desired location against the wall and align with the water supply and outlet connections.



7. Check that the cistern is level and mark the position of the holes for the cistern fixing screws.



8. Draw a line around the base of the pan to clearly mark the final position, and mark the position of the screw holes or proceed to step 9 if side foot fixing hole fixings are used.



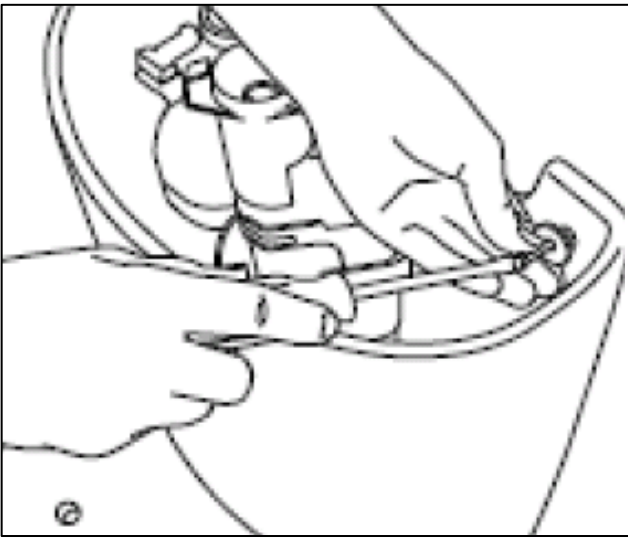
9. Having marked the position of the screw hole, mark the centre of the side foot bracket hole on the floor on both sides. Drill the floor and tap in the plastic plugs, or drill holes for the foot screw depending on the fixing type.



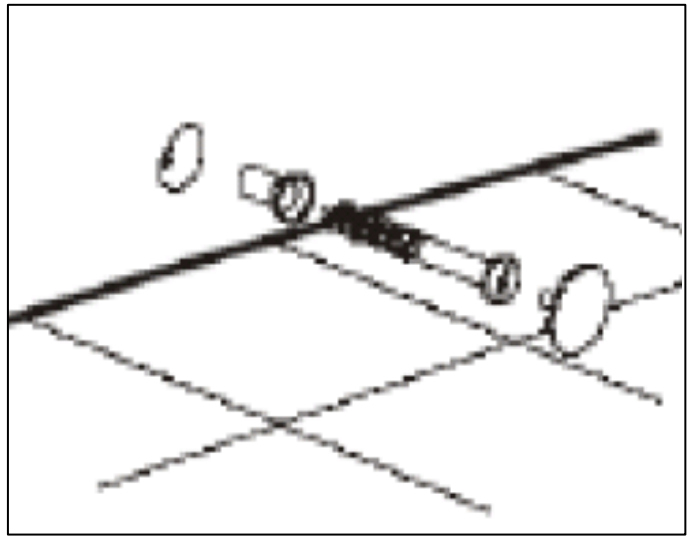
10. Drill the wall on the marks where the cistern is to be fitted to the wall.



11. Return the pan to the desired location, make the plumbing connections and ensure that they are water tight. We recommend that this process is always carried out by a professional plumber/installer. Ensure the water supply pipe is free from dirt by flushing water through it before connecting to the cistern inlet valve.



12. Fix the cistern to the wall with screws and washers (not supplied). Ensure that the cistern is not pulled backwards, as the seal with the pan may be broken.



13. Fit the bracket screw and attach the screw cover caps for side fixing or secure the pan to the floor with appropriate fixings.

14. Fit the lever or pushbutton as per instructions given in cistern fittings instructions, and fit the lid to the cistern.

Care and Maintenance.

Once installed, flush the toilet 2 or 3 times to ensure it is functioning correctly and check all Supply and waste connections for leaks.

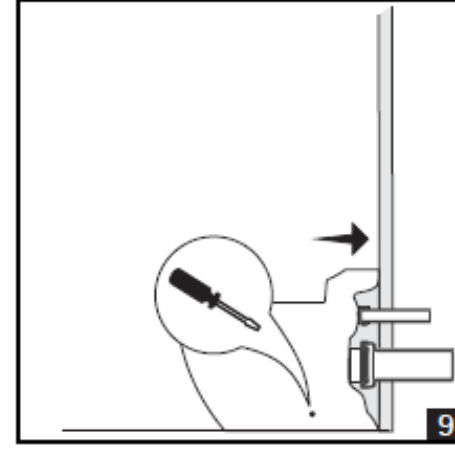
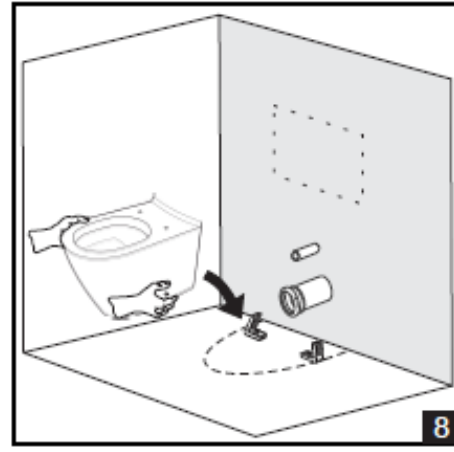
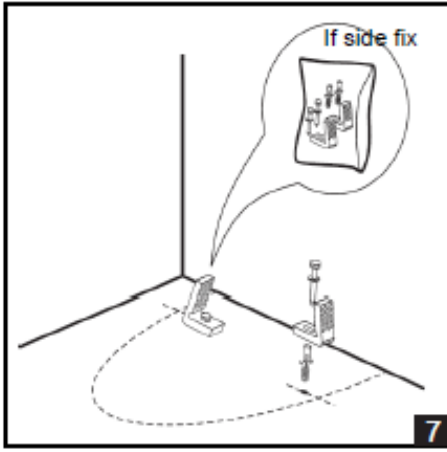
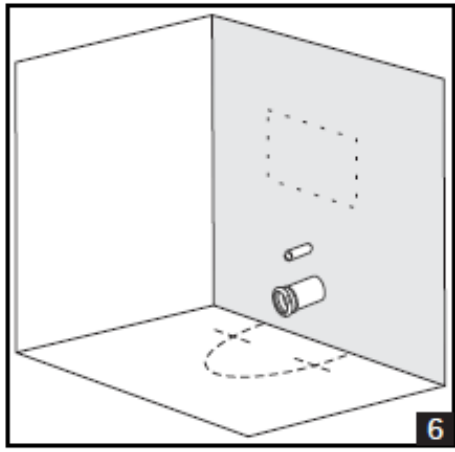
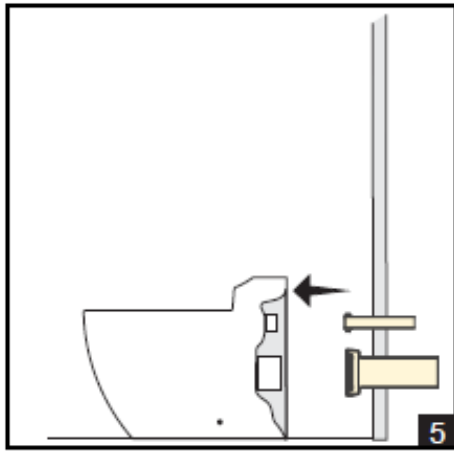
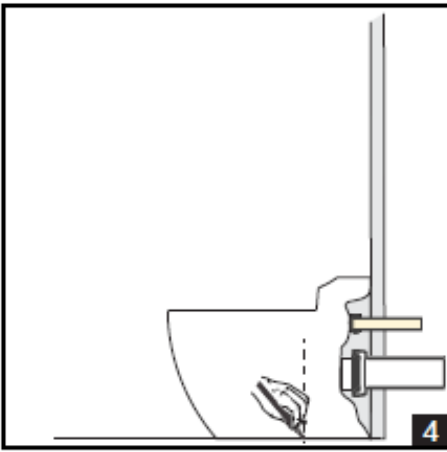
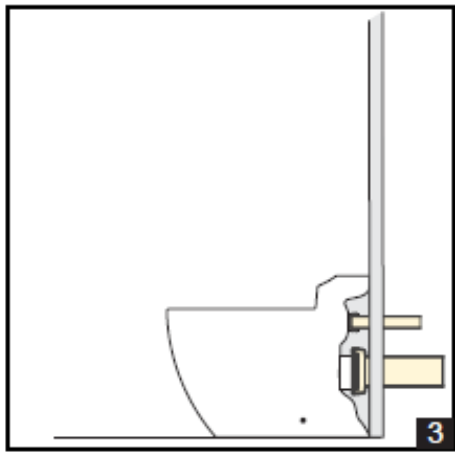
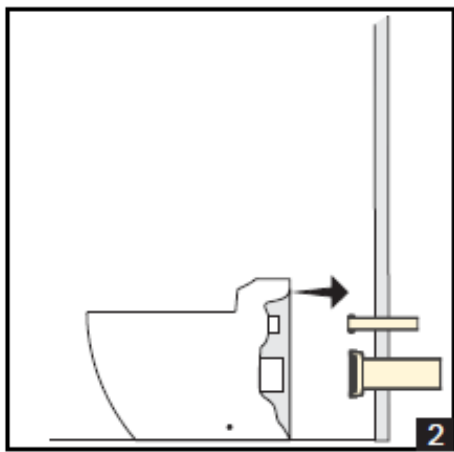
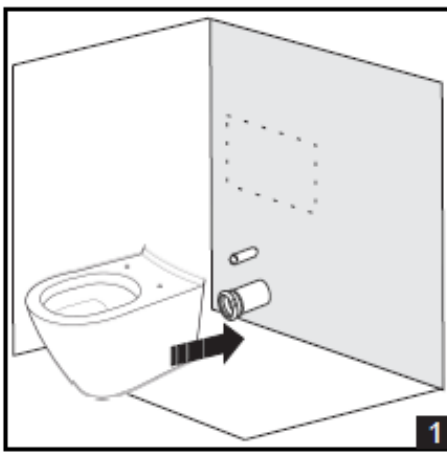
If the toilet fails to remove solids please check the following :

1. You are pressing the correct button.
2. The valve has been set correctly
3. There is no obstruction in the WC outlet or in the connecting soil pipe.

Clean the exterior of your WC suite with hot soapy water and a cloth.

Do Not use harsh abrasives particularly on areas displaying the **HERITAGE**[®] logo.
BATHROOMS

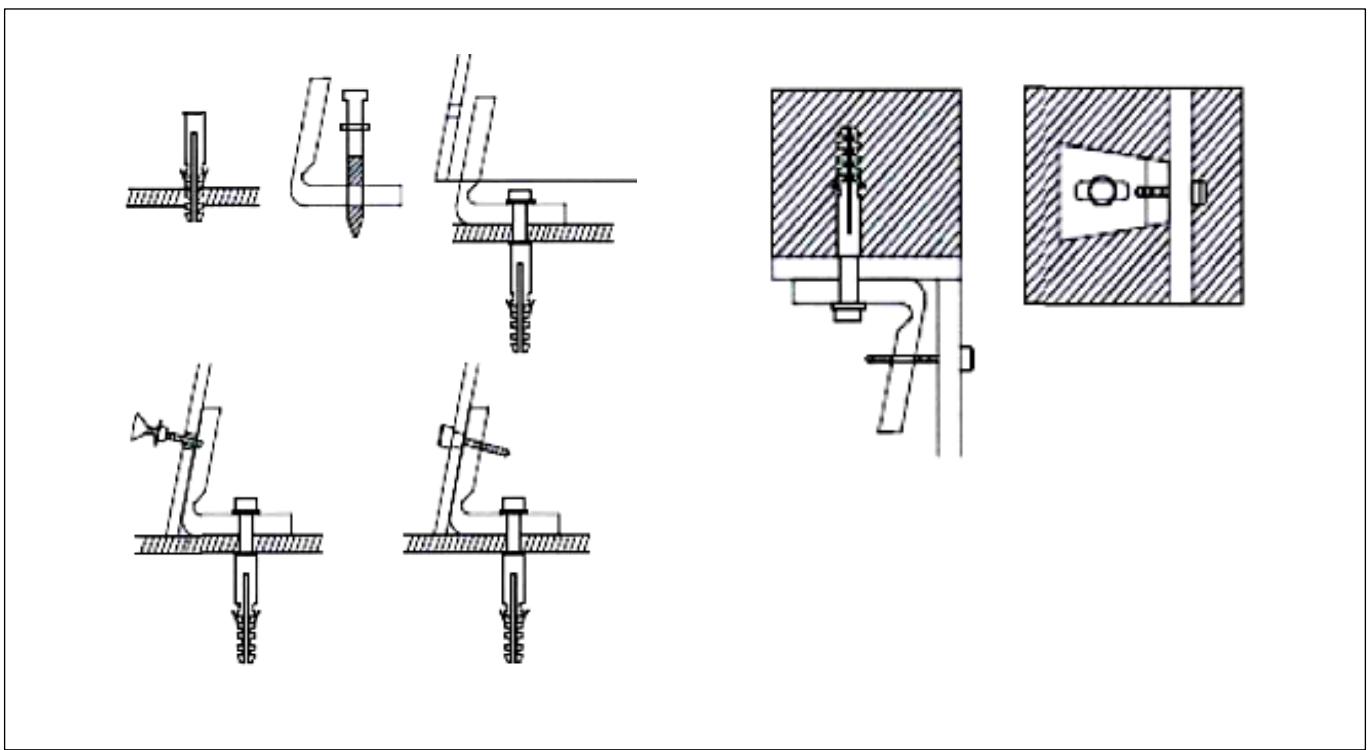
Back to wall Installation.



If not side fixing - use appropriate foot fixing (NOT SUPPLIED).

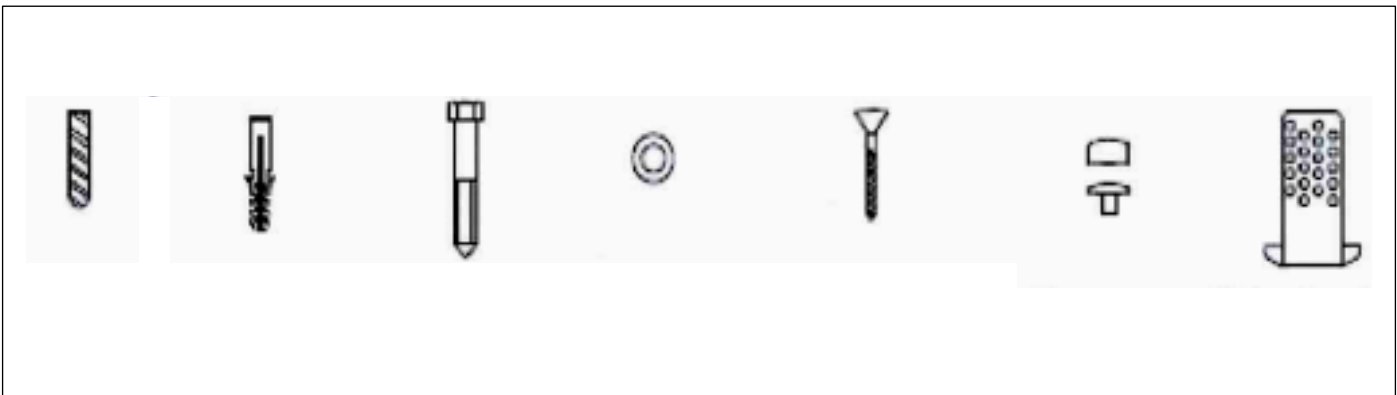
Caution: Care should be taken when drilling into walls and floors to avoid any sunken wires or pipes. The fixings supplied with this pack are suitable for solid walls only. Plasterboard or stud walls may require specialist fixing (NOT SUPPLIED).

Horizontal Floor & BTW Pan Fixing



WC.

1. Place the WC into position and mark the position of the screw holes and the outer edge of the WC foot.
2. Secure the brackets using the hexagonal head screws and washers, the plastic plugs are for use when fixing to concrete or ceramic tiled floors.
3. Replace the WC into position and secure using countersunk.



Drill Ø10mm	Plastic Plugs S10 2-Off	Hexagonal head screws 6x50mm 2-Off	Washers 2-Off	Countersunk head screws 5x50mm 2-Off	Cap covers & bushes 2-Off	Fixing brackets 2-Off
----------------	----------------------------	--	------------------	--	------------------------------	-----------------------------

Aftercare Instructions.

Your fitting has a high quality finish and should be treated with care to preserve the visible surfaces.

All surface finishes will wear if not cleaned correctly, the only safe way to clean your product, is to wipe with a soft damp cloth. Stains can be removed using washing up liquid. All bath cleaning powders and liquids can damage the surface of your fitting even the non-scratch cleaners.

Guarantee.

All products are manufactured to the highest standards and a 25-year guarantee covers any defect in manufacture.

Contact Details.

If you require further assistance please contact Heritage Sales and Technical Enquiries:

Sales : 0844 701 8501

Technical: 0844 701 8503

Email: Technical@heritagebathrooms.com

Website: www.heritagebathrooms.com

**Heritage Bathrooms
Unit 6 Albert Road
St Philips Central
Bristol
BS2 0XJ**

