

# Assembly Instructions

## Instructions for installing the bath and the panel

### List of elements:

- 1. Bath - 1 item
- 2. Frame rails - 2 items
- 3. Wood screws - 12 items
- 4. Bath legs - 4 pieces
- 5. Leg nuts - 12 items

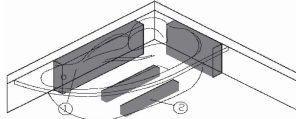
- 6. Foot with thread - 4 items
- 7. Foot stabilization stand - 4 items
- 8. Wall plugs - 4 items
- 9. Wall brackets - 4 items

### For mounting the casing:

- 10. Panel - 1 item
- 11. Mounting clips - 8 items
- 12. Wall plugs - 4 items
- 13. Wood screws - 12 items
- 14. Floor screws - 4 items

### Bath installation on the base:

- 1) Base
- 2) Stand



### Before You Start.

- Read these instructions carefully.
- Check the pack & make sure you have all parts listed. If not, contact your supplier who will be able to help you.
- When ready to start, ensure that you have all the right tools to hand, plenty of space & a clean dry area for assembly.
- Remove packing & protective film & inspect product prior to the commencement of assembly. Any damages found must be reported to the product supplier immediately.
- Remove & discard any transportation screws as they are not required for installation.

It is recommended that when the bath needs turning 2 people should carry out his operation.

### Fitting Instructions:

- Turn the bath over so it is sitting on the top face. Ensure that the top face is protected so it cannot be scratched or damaged.

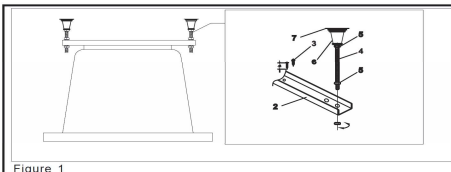


Figure 1

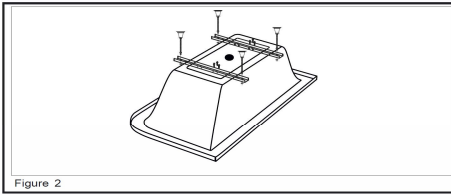


Figure 2

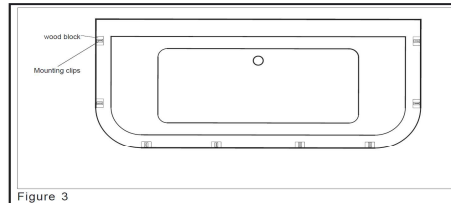


Figure 3

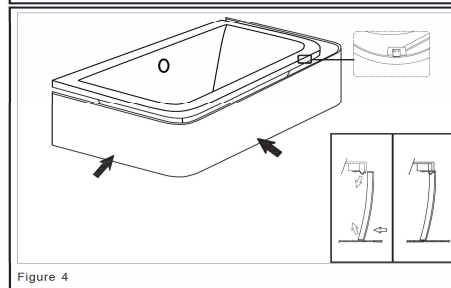
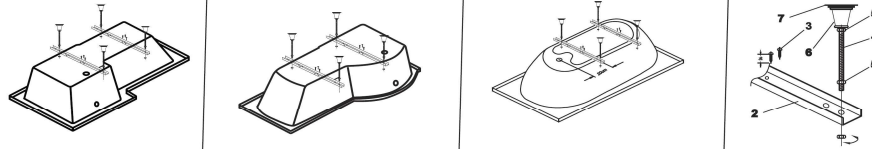


Figure 4

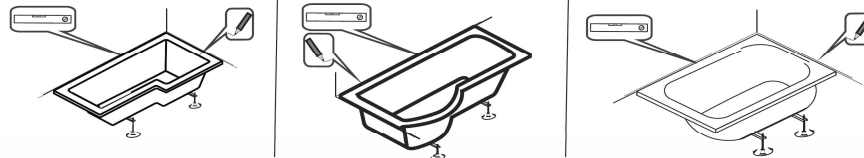
1. Place the bath as in Figure 2. Mount rails (2) to the bath bottom using wood screws (3). Then screw down legs (4). The rails spacing should ensure stability of the installed bath.

Figure 1



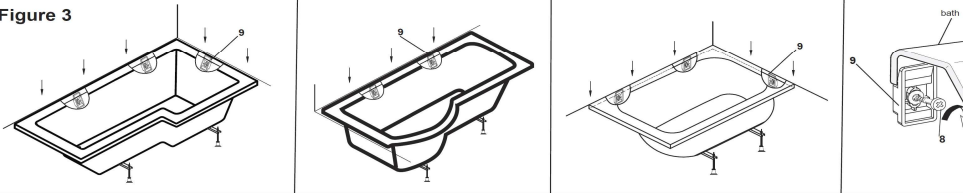
2. Put the bath in the selected place in the bathroom. Then level the bath legs (4). Mark the outline on both walls. Mark the places for brackets (9) (see Figure 3).

Figure 2



3. Mount the brackets (9) to the walls and slot the bath onto the brackets.

Figure 3



rew.1.1/12/08/15

4.

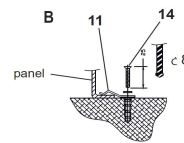
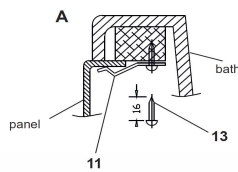
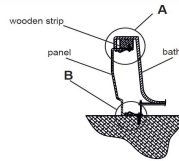
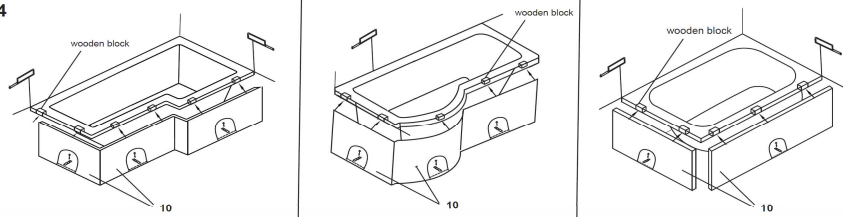
A. Tighten the clips (11) to the wooden block under the bath rim

B. Tighten the clips (11) to the floor using screw provided (14)

C. Install the panel as shown in Figure 4. If necessary the panel can be trimmed to the required dimensions.

The panel is a separate product.

Figure 4



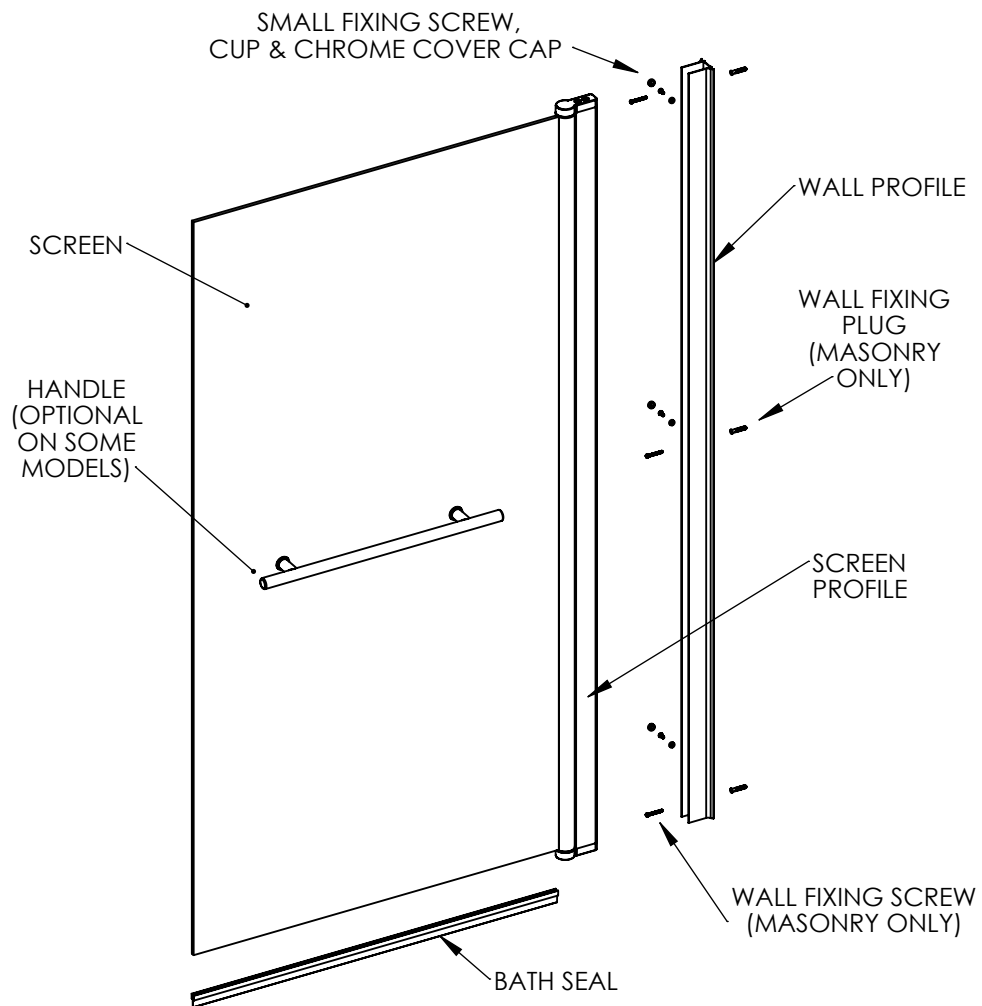
# BATH SCREEN INSTALLATION

THIS INSTRUCTION COVERS OTHER MODELS, PLEASE READ **ALL** PAGES

UNPACK THE BOX AND ENSURE ALL COMPONENTS ARE PRESENT. NO REFUNDS OR REFITTING COST WILL BE GIVEN IF INCOMPLETE OR DAMAGED GOODS HAVE BEEN FITTED. THE TOUGHENED SAFETY GLASS IS MANUFACTURED TO SPECIFICATION EN12150-1 AND SHOULD BE HANDLED WITH CARE AS IMPACTS CAN DAMAGE THE GLASS AND CAUSE IT TO FAIL AT A LATER DATE.

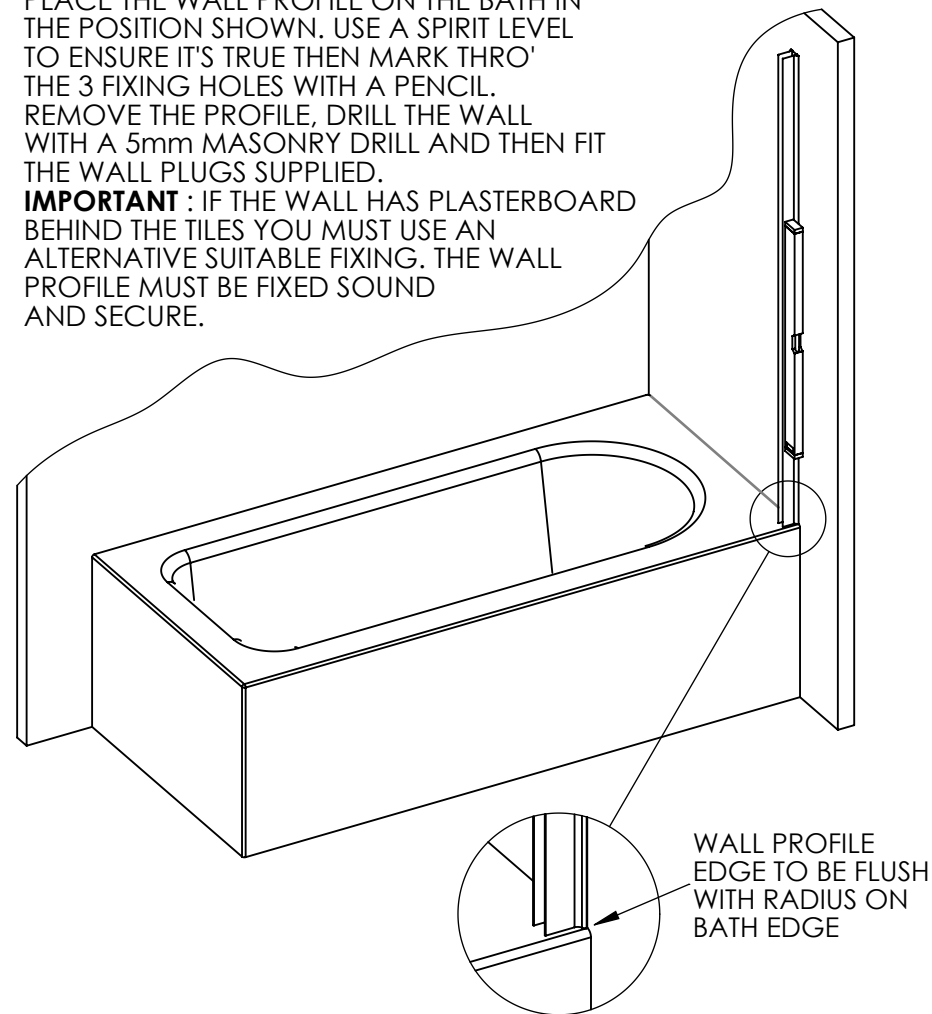
## TOOLS REQUIRED

POWER DRILL - PENCIL - 5mm MASONRY DRILL BIT - 3mm HSS DRILL BIT - 8mm HSS DRILL BIT - CROSS HEAD SCREWDRIVER - SANITARY GRADE SILICONE SEALANT - SPIRIT LEVEL.



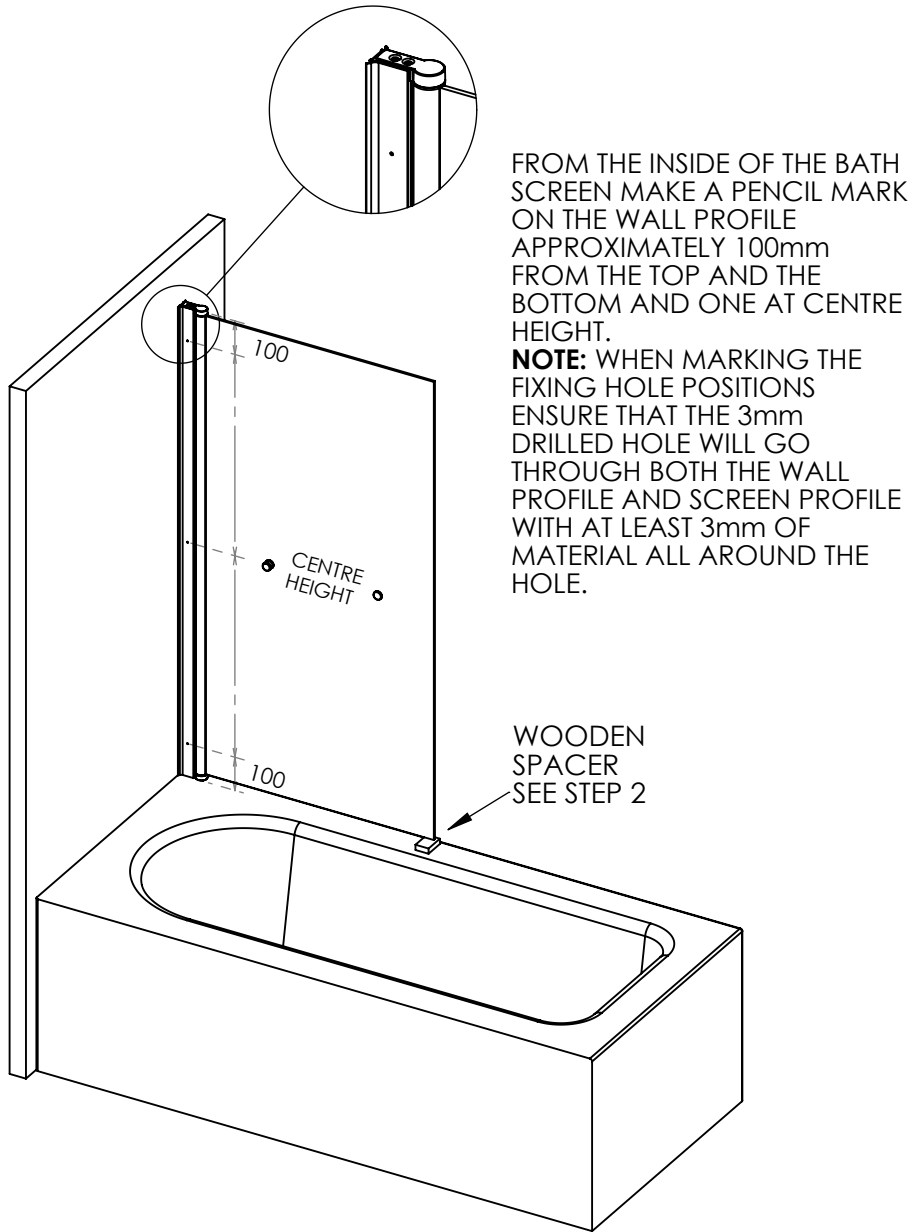
1. PLACE THE WALL PROFILE ON THE BATH IN THE POSITION SHOWN. USE A SPIRIT LEVEL TO ENSURE IT'S TRUE THEN MARK THRO' THE 3 FIXING HOLES WITH A PENCIL. REMOVE THE PROFILE, DRILL THE WALL WITH A 5mm MASONRY DRILL AND THEN FIT THE WALL PLUGS SUPPLIED.

**IMPORTANT** : IF THE WALL HAS PLASTERBOARD BEHIND THE TILES YOU MUST USE AN ALTERNATIVE SUITABLE FIXING. THE WALL PROFILE MUST BE FIXED SOUND AND SECURE.



2. NOW SLIDE THE SCREEN ASSEMBLY INTO THE WALL PROFILE. THE BOTTOM EDGE OF THE GLASS PANEL **MUST** BE PARALLEL TO THE BATH TOP FACE. YOU CAN MAKE A WOODEN SPACER (18mm) TO FIT UNDER THE GLASS SO THERE IS AN EQUAL GAP ALL THE WAY LONG. THE SPACER WILL ALSO SUPPORT THE SCREEN PARALLEL WHILST YOU FIX IT IN PLACE.

3.



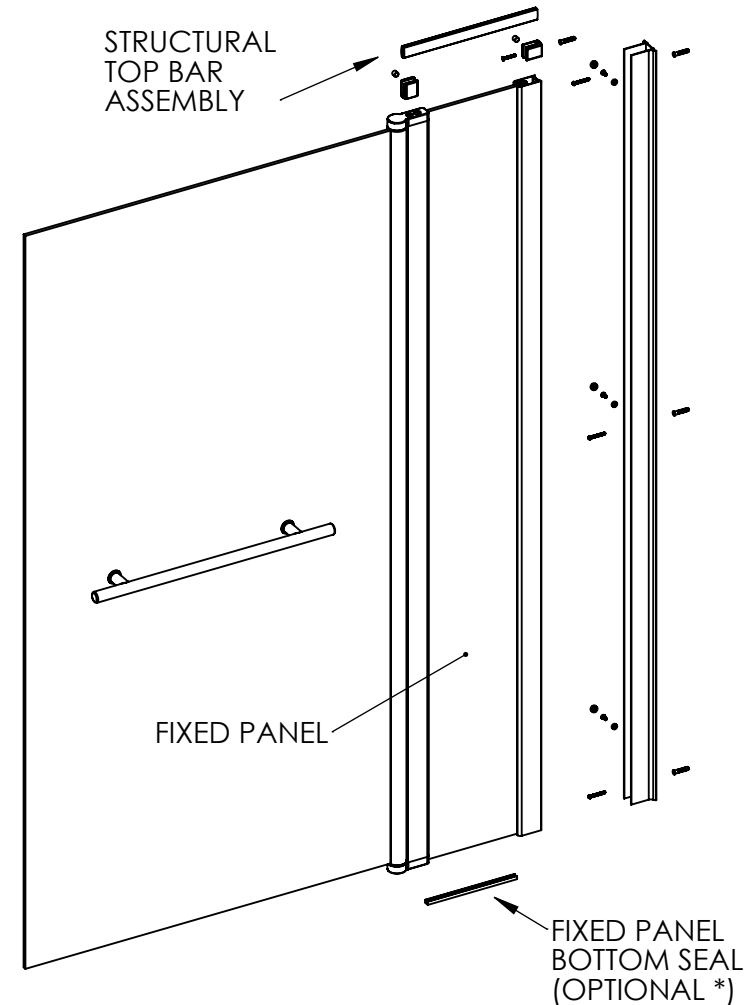
FROM THE INSIDE OF THE BATH SCREEN MAKE A PENCIL MARK ON THE WALL PROFILE APPROXIMATELY 100mm FROM THE TOP AND THE BOTTOM AND ONE AT CENTRE HEIGHT.

**NOTE:** WHEN MARKING THE FIXING HOLE POSITIONS ENSURE THAT THE 3mm DRILLED HOLE WILL GO THROUGH BOTH THE WALL PROFILE AND SCREEN PROFILE WITH AT LEAST 3mm OF MATERIAL ALL AROUND THE HOLE.

WOODEN SPACER  
SEE STEP 2

FIT THE SMALL SCREWS, CUP WASHER AND CHROME CAP IN 3 POSITIONS. THE SCREEN IS NOW FIXED IN PLACE

### FITTING A SCREEN WITH A FIXED GLASS PANEL.



FIT THIS SCREEN IN EXACTLY THE SAME WAY AS STEPS 1,2 &3 BUT FIT THE FIXED PANEL BOTTOM SEAL IN PLACE BEFORE YOU SLIDE IT INTO THE WALL PROFILE (\* THIS SEAL IS OPTIONAL AS YOU CAN USE SILICONE SEALANT INSTEAD) .

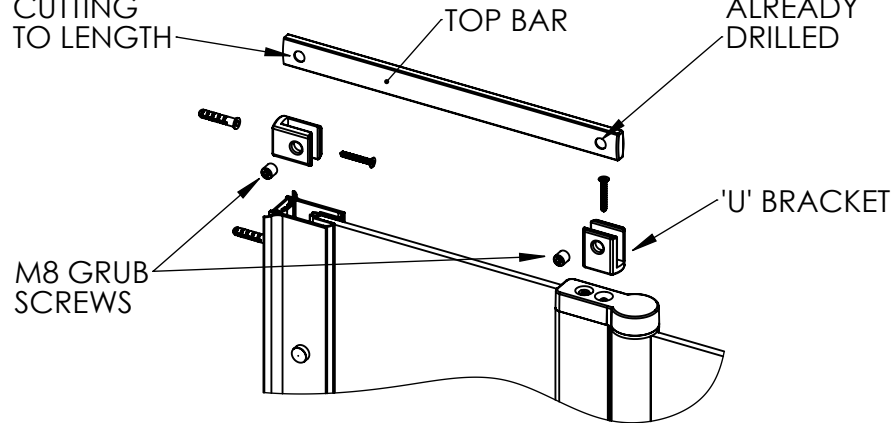
**VERY IMPORTANT** - THE TOP BAR ON SCREENS WITH A FIXED PANEL HAS TO BE FITTED **SECURELY** TO THE WALL AS THIS IS A STRUCTURAL PART OF THE SCREEN. IT IS **NOT** AN OPTIONAL DECOR FITTING, **IT IS AN ESSENTIAL STRUCTURAL PART.**

4.

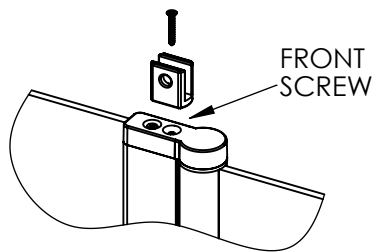
**FITTING STRUCTURAL TOP BAR**  
(VIEWED FROM INSIDE OF SCREEN)

FITTER TO DRILL THIS 8mm HOLE AFTER CUTTING TO LENGTH

THIS HOLE IS ALREADY DRILLED

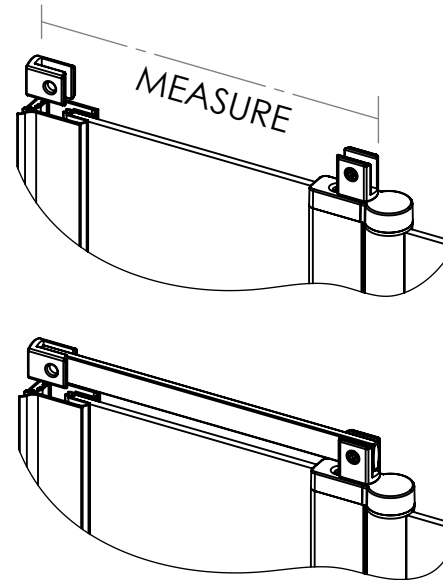
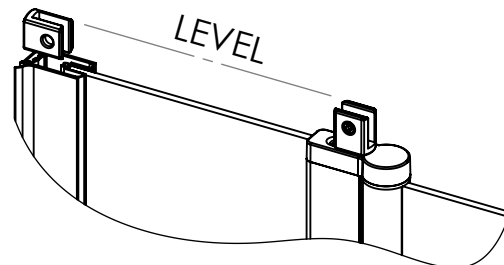


REMOVE THE FRONT SCREW FROM THE SCREEN TOP CAP AND THEN REFIT THROUGH THE 'U' BRACKET



FIT THE 'U' BRACKET TO THE WALL

**IMPORTANT** : IF THE WALL HAS PLASTERBOARD BEHIND THE TILES YOU MUST USE AN ALTERNATIVE SUITABLE FIXING. THE WALL 'U' BRACKET **MUST** BE FIXED SOUND AND SECURE AS IT IS LOAD BEARING.



MEASURE FROM THE INSIDE FACE OF THE WALL 'U' BRACKET TO THE FRONT FACE OF THE SCREEN 'U' BRACKET AND CUT THE TOP BAR 2mm SHORTER

FIT TOP BAR AND INSERT M8 GRUB SCREW IN SCREEN 'U' BRACKET.

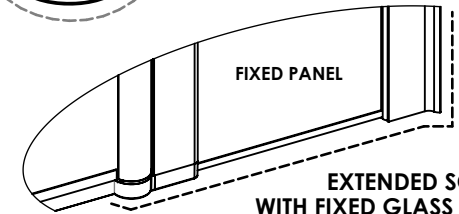
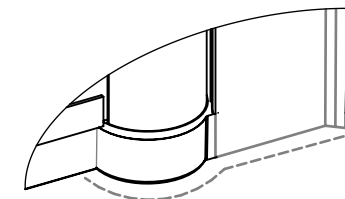
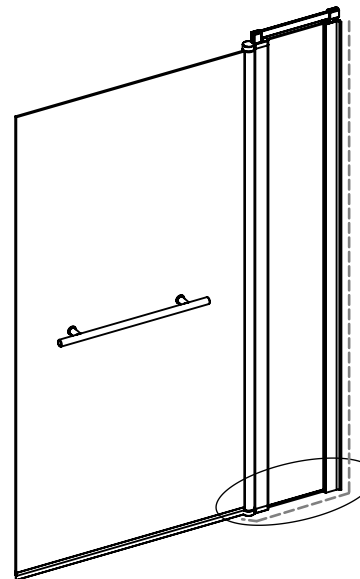
SCRIBE THROUGH HOLE IN WALL 'U' BRACKET.

REMOVE BAR AND DRILL AN 8mm HOLE THROUGH THE MARKED POSITION. (ONE SIDE ONLY).

YOU MAY NEED TO USE A SERIES OF DRILL BITS TO GET TO THE 8mm DIA.

NOW REFIT THE TOP BAR IN THE 'U' BRACKETS AND FIT THE M8 GRUB SCREWS. **IMPORTANT** - THE SCREWS MUST PASS INTO THE CENTRE OF THE TOP BAR THROUGH THE SIDE WALL SO THE BAR CANNOT SLIP OUT OF THE 'U' BRACKETS.

5. FIT SCREEN BATH SEAL TO GLASS PANEL AND SILICONE AS BELOW - - - - ALLOW 24 HOURS TO DRY BEFORE USING.



**AFTERCARE:** ENSURE YOU CLEAN YOUR PRODUCT USING A MILD DETERGENT DILUTED IN WATER REMOVING ANY RESIDUE WITH A SOFT DAMP CLOTH.

**MAINTENANCE:** ENSURE MOVING PARTS ARE FREE FROM DEBRIS OR SOAP BUILD UP.