

Macdee MOTION

Height Adjustable Dual Flush Siphon

FITTING INSTRUCTION LEAFLET



Tools required :

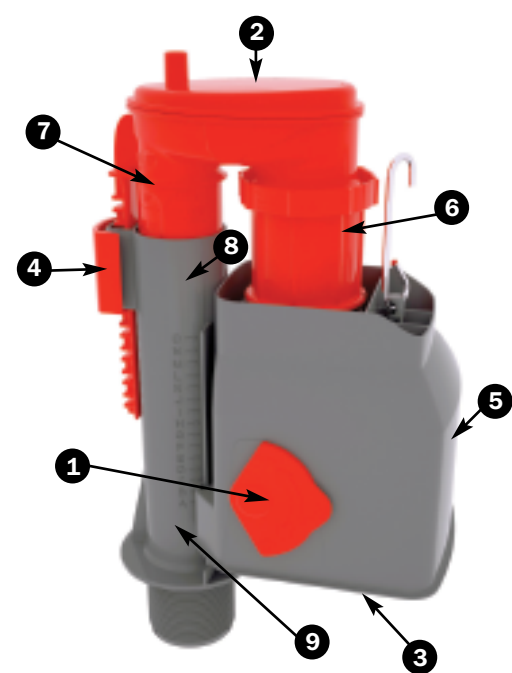
- Sponge
- Bucket
- Adjustable spanner / grips
- Sheet
- Tape Measure

CONTENTS

Pre-Installation	Page 2
Installation for High or Low Level Cisterns	Page 3
Installation for Close Coupled Level Cisterns	Page 4
Reduced / Full Flush Settings / Lid Locking	Page 5
Trouble Shooting	Page 6 - 7



Technical services number - +44 (0) 1302 312202



No	Code No	Description
1	140044	Macdee Motion Flush volume selector
2	140042	Macdee Motion siphon cap with chimney
3	140045	Macdee Motion piston base and flaps
4	140047	Macdee Motion Lock
5	140048	Macdee Motion bell housing
6	140049	Macdee Motion threaded collar
7	140050	Macdee Motion u bend
8	240052	Macdee Motion o ring
9	140051	Macdee Motion down leg
10	240057	Macdee Motion instruction leaflet
11	140046	Macdee Motion fittings pack (siphon washer - siphon backnut - siphon coupling nut - low level sealing washer - 2 x 1/4" c-link 4 x 3/8" c-link)

PRODUCT FAMILY FOR THE MACDEE MOTION

DCA01WH	White Ceramic Handle
DCA01CP	Chrome Handle
DCA1700	Universal Adjustable Arm and Screw
DCP1400	Close Coupling Plated Kit and Washer
215354	Bolted Kit
DCA2801	Close Coupling Washer (Foam)
DCA3200	Close Coupling Washer (Rubber)
DFP01WH	14" x 9" White Flushpipe
DFP09WH	24" x 24" White Flushpipe
DFP10WH	5' 6" 2 pce Back to Wall High Level Flushpipe
DFP11WH	7' 0" 2 pce Back to Wall High Level Flushpipe
DFP12WH	7' 0" 3 pce Side Wall High Level Flushpipe

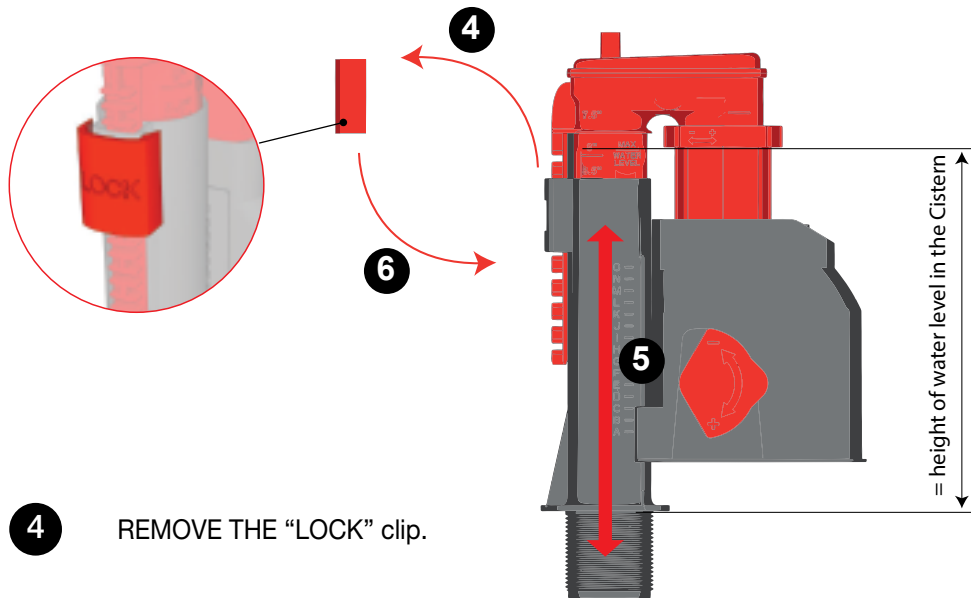
For full range of Wirquin products go to :

www.wirquin.com

Code Number	240057
Issue Date	09/08/2013
Version	02

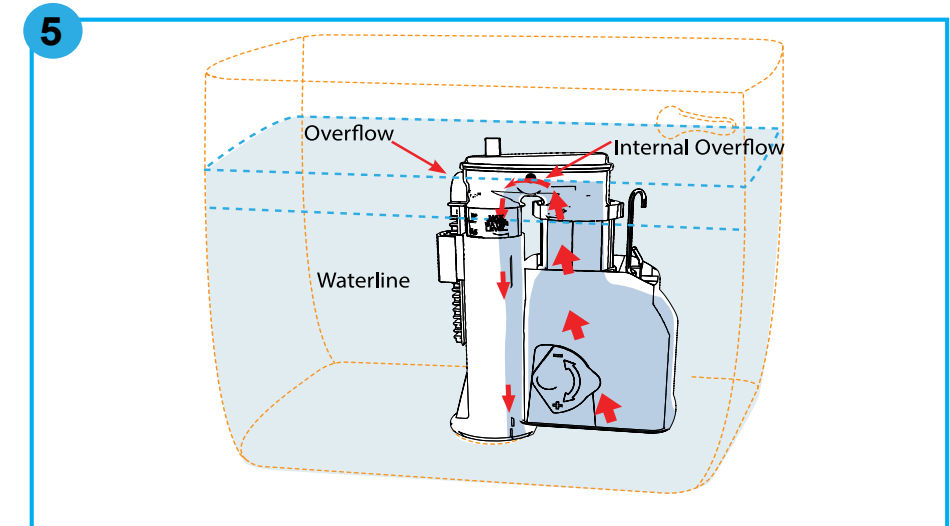
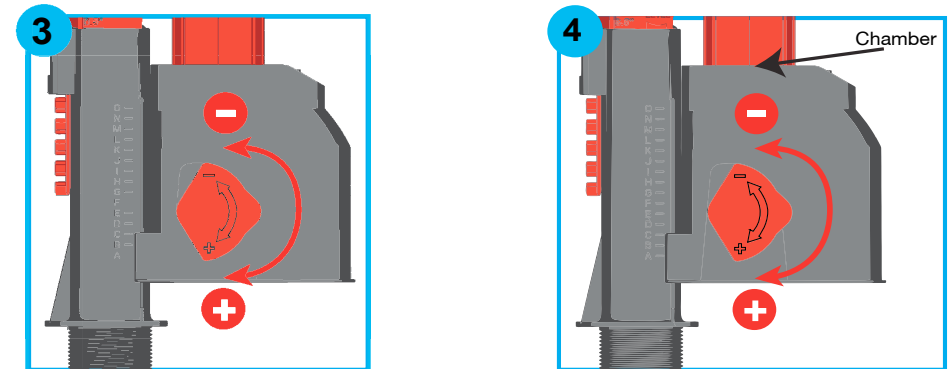
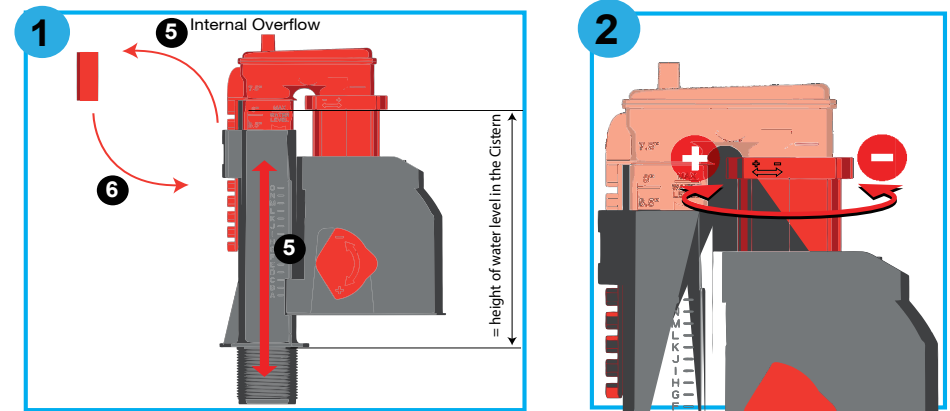
PRE - INSTALLATION

- 1 Turn off water supply to cistern and remove cistern lid.
- 2 Before emptying the cistern of water, mark the water level inside the cistern (if the cistern does not have water line inside cistern) and empty the cistern of water.
Tip : Use sponge to take residual water out of inside of cistern.
- 3 Disconnect water supply from inlet valve and remove cistern, remove old siphon, clean inside of cistern of any debris / dirt.



- 4 REMOVE THE "LOCK" clip.
- 5 Measure the height of the water level inside the cistern and adjust the height of the siphon (see picture).
- 6 Fit the "LOCK" clip to lock the height of the siphon.

TROUBLESHOOTING DIAGRAMS



TROUBLESHOOTING

OBSERVATIONS	PROBLEMS	SOLUTIONS
Water is running into pan	The water level in the cistern is above the internal overflow height of the siphon	Increase the height of the siphon as per the instruction 1 page 7. Internal overflow height is marked on siphon.
	The inlet valve is not shutting off.	Clean inlet valve diaphragm if the problem continues replace inlet valve.
Water is leaking back into pan or onto floor	Water is leaking from the base of cistern - in between pan and cistern or the flushpipe.	Check the sealing washer has been fitted on the inside of the cistern and the backnut is tight if required give the backnut 1/4 turn until watertight.
	Water is running down the flushpipe.	Check the backnut is tight if required give the backnut 1/4 turn until watertight - check the flushpipe sealing washer is not kinked or twisted and the coupling nut is watertight.
Water is not flushing the pan clean	When flushed only getting small amount of water into pan.	The siphon is dual flush Full flush hold handle down until flush has stopped - Part flush press handle down and release.
	When flushed only getting small flush into pan	Check the flush volume selection instruction 3 page 7.
Water is not flushing the pan clean on part flush	When flushed only setting small flush into pan on the part flush.	Check that the siphon is correctly set as per instruction 1 page 7.
The siphon will not flush	The handle is in downward position.	Make sure the adjustable arm is attached to c-link and handle see page 3 instruction 4.
	No water is being flushed.	Make sure the chamber by the piston rod has water in it as this acts as a seal diagram 4 page 7.
The siphon is not flushing	One or both of the flapper(s) has come off the retaining clip(s).	Remove Motion from cistern leaving the syphon leg in situ, remove c-link and gently squeeze the clips on the piston rod and then slowly push the push rod down until the piston base is free of the bell-housing and then clip the flapper(s) back onto the retaining clip(s), once this has been completed put the piston base/rod back in the bell-housing - attach c-link to piston rod and put the Motion back onto the siphon leg.

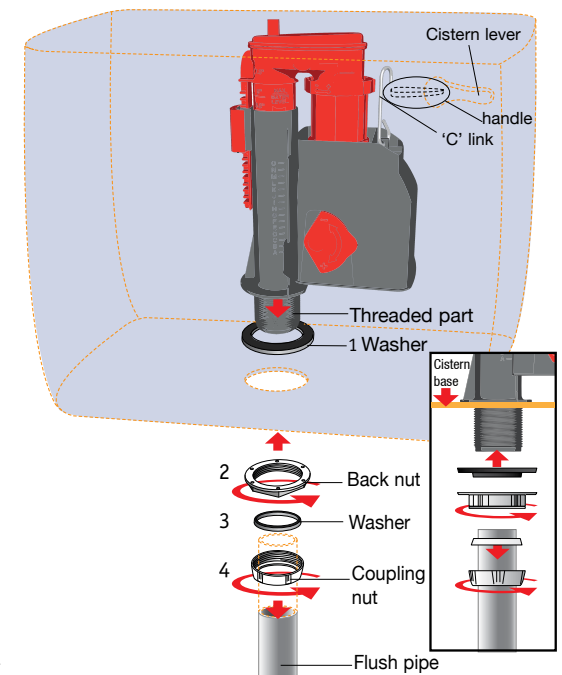
INTERNAL OVERFLOW INFORMATION

The Macdee Motion siphon comes complete with internal overflow but always check the internal overflow level (marked on the siphon) is always below any hole inside the cistern where water can escape. Always check the internal overflow can cope with the incoming water supply by holding the inlet valve down and allow water to fill inside the cistern. If the internal overflow cannot cope reduce the incoming water by turning the isolation valve down until the internal overflow can cope.

INSTALLATION FOR HIGH OR LOW LEVEL CISTERNS

- 1** Place the rubber sealing washer (item 1) on the threaded tail of the Macdee Motion siphon and insert through the cistern outlet hole (sealing washer must be on inside of cistern).
- 2** Place the backnut (item 2) on the threaded tail and hand tighten and then 1/4 turn using adjustable spanner or grips.
Tip : Put small amount of water inside cistern and check for leaks if required give further 1/4 turn using adjustable spanner or grips.
- 3** Place coupling nut (item 4) and flushpipe sealing washer (item 3) onto flushpipe and insert flushpipe into tail of siphon (50mm maximum), make sure the sealing washer is not kinked or twisted then hand tighten the coupling nut up.
- 4** Attach the adjustable arm on the cistern lever to the metal c-link. Use the appropriate c-link so the handle is set in 3 o'clock position.
- 5** Turn water supply on and check the installation is functional and water tight.

Important information
never use boss white or silicone based products on the siphon.



* Not included replacement
DFP01WH 14 x 9 flushpipe
DCA1700 Universal arm and screw

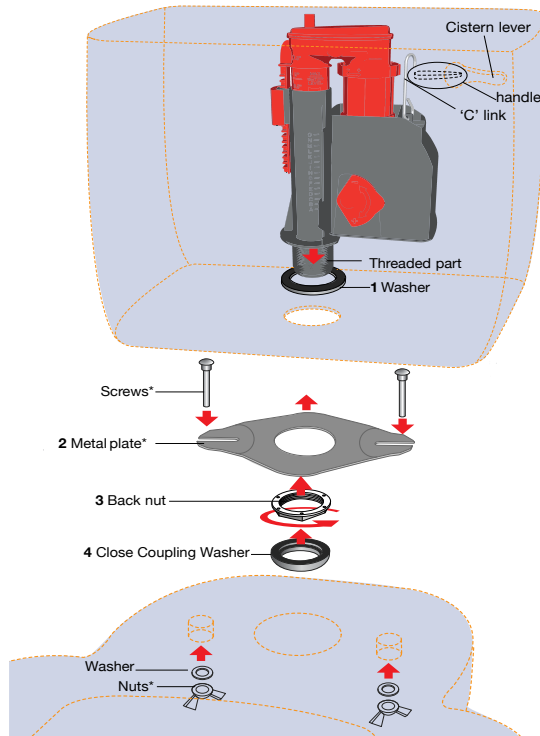
INSTALLATION FOR CLOSE COUPLED CISTERNS

- 1 Place the rubber sealing washer (item 1) on the threaded tail of the Macdee Motion siphon and insert through the cistern outlet hole (sealing washer must be on inside of cistern).
- 2 Place close coupling plate (item 2) onto threaded tail of siphon and hand tighten siphon backnut (item 3) and then turn 1/4 turn using adjustable spanner or grips.
Tip : Put small amount of water inside cistern and check for leaks if required give further 1/4 turn using adjustable spanner or grips.
- 3 Place close coupling washer (item 4) onto threaded tail of siphon and slide bolts into close coupling plate.
Tip : Use new close coupling sealing washer when changing or replacing existing flushing siphon or valve this will stop the chance of leaks.
- 4 Carefully connect the cistern to the pan and secure in place.
- 5 Attach the adjustable arm on the cistern lever to the metal c-link. Use the appropriate c-link so the handle is set in 3 o'clock position.
- 6 Turn water supply on and check the installation is functional and water tight.

Important information
never use boss white or silicone based products on the siphon.



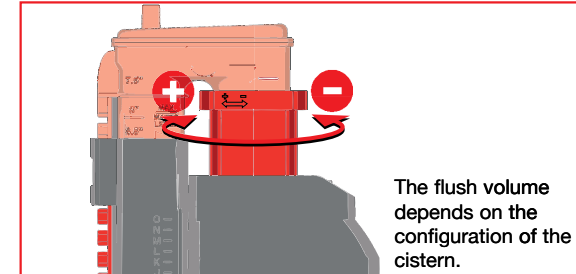
*Not included
DCP 1400 CLOSE COUPLING KIT



FOR THE REDUCED FLUSH

- 1 Press the cistern handle down
- 2 Release the handle.

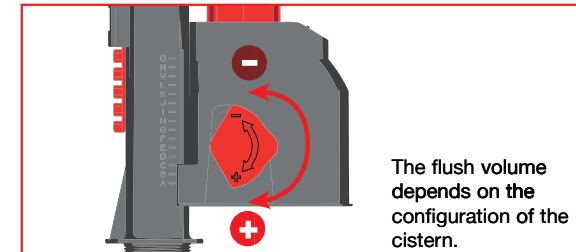
Adjustable volume of the reduced flush.



FOR THE FULL FLUSH

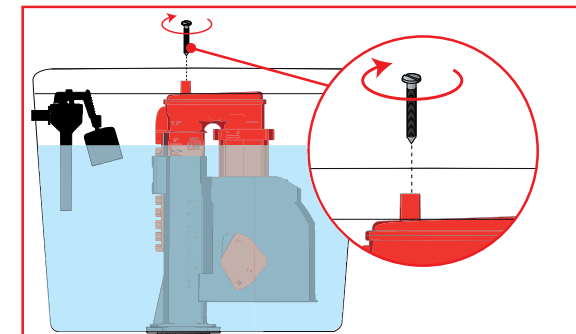
- 1 Press the cistern handle down
- 2 Hold the handle until the flush has finished

Adjustable volume of the full flush.



LID LOCKING SECURITY SYSTEM

- 1 The cistern lid can be secured to the siphon but only if the cistern lid has the hole already punched into it. (screw not included).



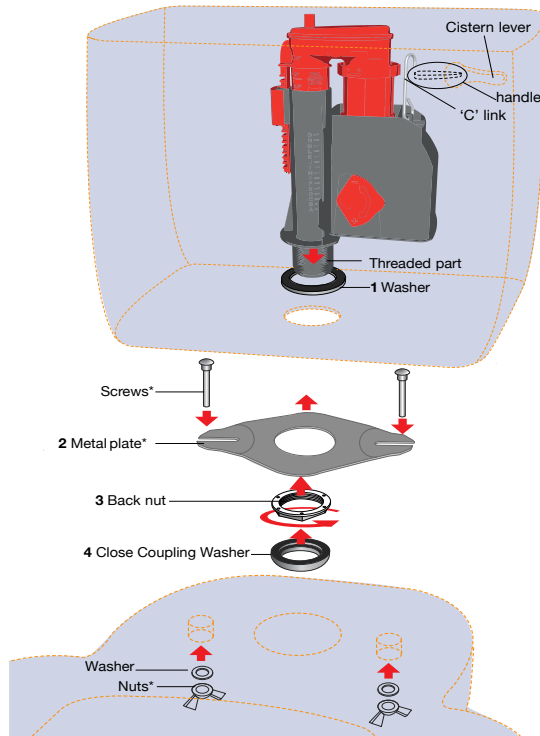
INSTALLATION FOR CLOSE COUPLED CISTERNS

- 1** Place the rubber sealing washer (item 1) on the threaded tail of the Macdee Motion siphon and insert through the cistern outlet hole (sealing washer must be on inside of cistern).
- 2** Place close coupling plate (item 2) onto threaded tail of siphon and hand tighten siphon backnut (item 3) and then turn 1/4 turn using adjustable spanner or grips.
Tip : Put small amount of water inside cistern and check for leaks if required give further 1/4 turn using adjustable spanner or grips.
- 3** Place close coupling washer (item 4) onto threaded tail of siphon and slide bolts into close coupling plate.
Tip : Use new close coupling sealing washer when changing or replacing existing flushing siphon or valve this will stop the chance of leaks.
- 4** Carefully connect the cistern to the pan and secure in place.
- 5** Attach the adjustable arm on the cistern lever to the metal c-link. Use the appropriate c-link so the handle is set in 3 o'clock position.
- 6** Turn water supply on and check the installation is functional and water tight.

Important information
never use boss white or silicone based products on the siphon.



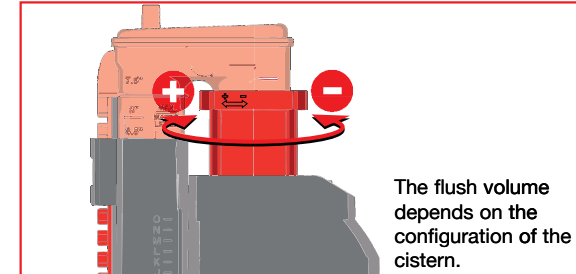
*Not included
DCP 1400 CLOSE COUPLING KIT



FOR THE REDUCED FLUSH

- 1** Press the cistern handle down
- 2** Release the handle.

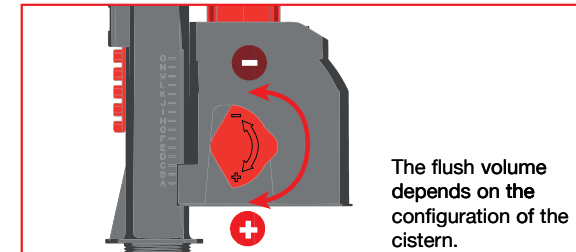
Adjustable volume of the reduced flush.



FOR THE FULL FLUSH

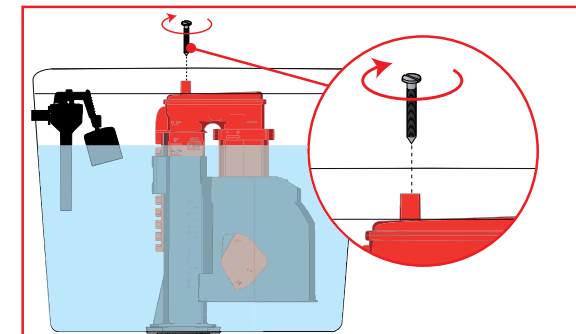
- 1** Press the cistern handle down
- 2** Hold the handle until the flush has finished

Adjustable volume of the full flush.



LID LOCKING SECURITY SYSTEM

- 1** The cistern lid can be secured to the siphon but only if the cistern lid has the hole already punched into it. (screw not included).



TROUBLESHOOTING

OBSERVATIONS	PROBLEMS	SOLUTIONS
Water is running into pan	The water level in the cistern is above the internal overflow height of the siphon	Increase the height of the siphon as per the instruction 1 page 7. Internal overflow height is marked on siphon.
	The inlet valve is not shutting off.	Clean inlet valve diaphragm if the problem continues replace inlet valve.
Water is leaking back into pan or onto floor	Water is leaking from the base of cistern - in between pan and cistern or the flushpipe.	Check the sealing washer has been fitted on the inside of the cistern and the backnut is tight if required give the backnut 1/4 turn until watertight.
	Water is running down the flushpipe.	Check the backnut is tight if required give the backnut 1/4 turn until watertight - check the flushpipe sealing washer is not kinked or twisted and the coupling nut is watertight.
Water is not flushing the pan clean	When flushed only getting small amount of water into pan.	The siphon is dual flush Full flush hold handle down until flush has stopped - Part flush press handle down and release.
	When flushed only getting small flush into pan	Check the flush volume selection instruction 3 page 7.
Water is not flushing the pan clean on part flush	When flushed only setting small flush into pan on the part flush.	Check that the siphon is correctly set as per instruction 1 page 7.
The siphon will not flush	The handle is in downward position.	Make sure the adjustable arm is attached to c-link and handle see page 3 instruction 4.
	No water is being flushed.	Make sure the chamber by the piston rod has water in it as this acts as a seal diagram 4 page 7.
The siphon is not flushing	One or both of the flapper(s) has come off the retaining clip(s).	Remove Motion from cistern leaving the syphon leg in situ, remove c-link and gently squeeze the clips on the piston rod and then slowly push the push rod down until the piston base is free of the bell-housing and then clip the flapper(s) back onto the retaining clip(s), once this has been completed put the piston base/rod back in the bell-housing - attach c-link to piston rod and put the Motion back onto the siphon leg.

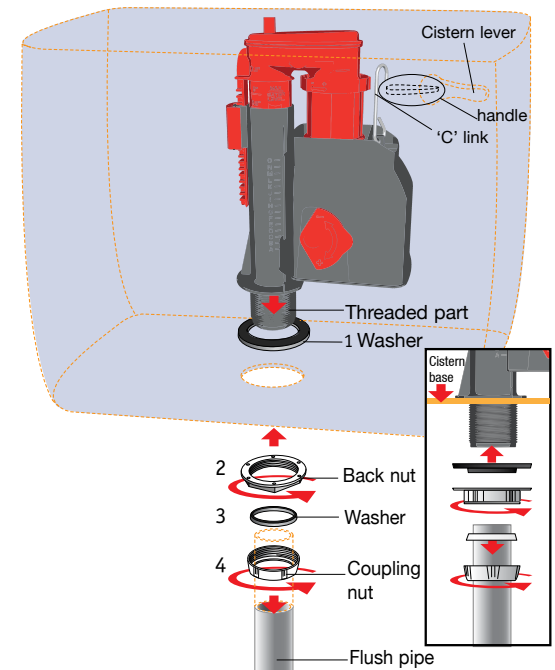
INTERNAL OVERFLOW INFORMATION

The Macdee Motion siphon comes complete with internal overflow but always check the internal overflow level (marked on the siphon) is always below any hole inside the cistern where water can escape. Always check the internal overflow can cope with the incoming water supply by holding the inlet valve down and allow water to fill inside the cistern. If the internal overflow cannot cope reduce the incoming water by turning the isolation valve down until the internal overflow can cope.

INSTALLATION FOR HIGH OR LOW LEVEL CISTERNS

- 1** Place the rubber sealing washer (item 1) on the threaded tail of the Macdee Motion siphon and insert through the cistern outlet hole (sealing washer must be on inside of cistern).
- 2** Place the backnut (item 2) on the threaded tail and hand tighten and then 1/4 turn using adjustable spanner or grips.
Tip : Put small amount of water inside cistern and check for leaks if required give further 1/4 turn using adjustable spanner or grips.
- 3** Place coupling nut (item 4) and flushpipe sealing washer (item 3) onto flushpipe and insert flushpipe into tail of siphon (50mm maximum), make sure the sealing washer is not kinked or twisted then hand tighten the coupling nut up.
- 4** Attach the adjustable arm on the cistern lever to the metal c-link. Use the appropriate c-link so the handle is set in 3 o'clock position.
- 5** Turn water supply on and check the installation is functional and water tight.

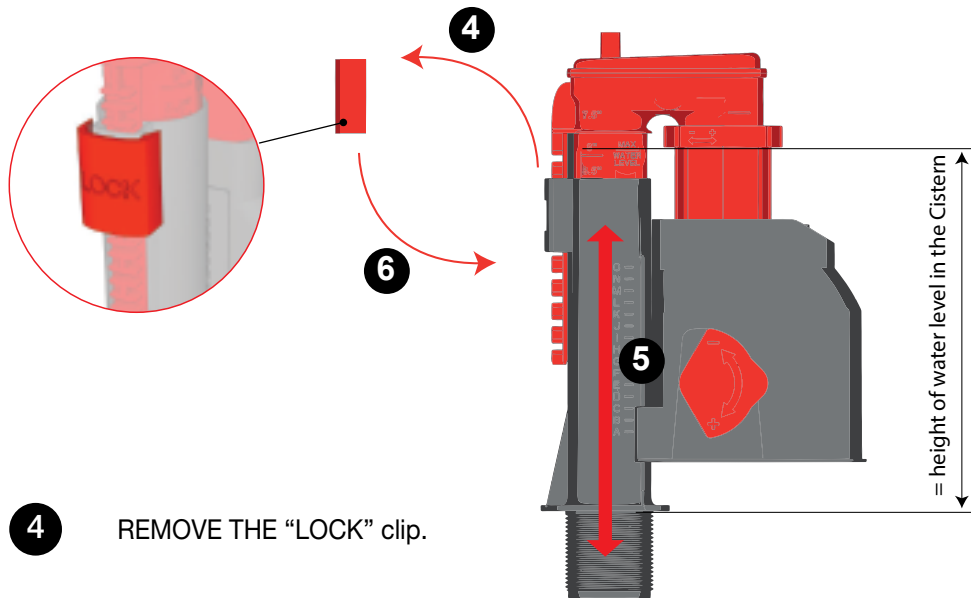
Important information
never use boss white or silicone based products on the siphon.



* Not included replacement
DFP01WH 14 x 9 flushpipe
DCA1700 Universal arm and screw

PRE - INSTALLATION

- 1 Turn off water supply to cistern and remove cistern lid.
- 2 Before emptying the cistern of water, mark the water level inside the cistern (if the cistern does not have water line inside cistern) and empty the cistern of water.
Tip : Use sponge to take residual water out of inside of cistern.
- 3 Disconnect water supply from inlet valve and remove cistern, remove old siphon, clean inside of cistern of any debris / dirt.



- 4 REMOVE THE "LOCK" clip.
- 5 Measure the height of the water level inside the cistern and adjust the height of the siphon (see picture).
- 6 Fit the "LOCK" clip to lock the height of the siphon.

TROUBLESHOOTING DIAGRAMS

