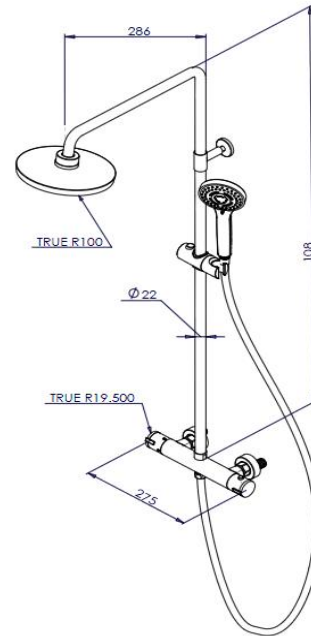
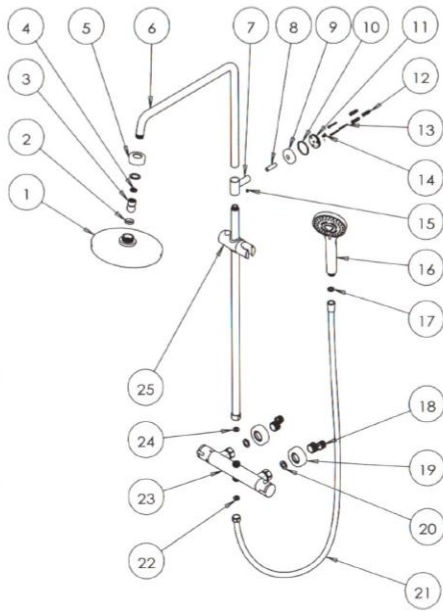


## THERMOSTATIC ROUND SHOWER KIT (SK002)

1. Fixed Head
2. 'O' Ring
3. Swivel Connector
4. 'O' Ring
5. Fixed Head Nut
6. Upper Pole
7. Pole Joint Bracket
8. Dowel
9. Cover Plate
10. 'O' Ring
11. Fixing Plate
12. Raw Plug x 3
13. Screws x 3
14. Screw Crosshead
15. Grub Screw
16. Hand Set
17. Flat Rubber Washer
18. Cranked Connector
19. Cover Plate
20. Washer
21. Flexible Hose
22. Flat Rubber Washer
23. Thermostatic Mixing Valve
24. 'O' Ring
25. Hand Set Holder



### INTRODUCTION:

Your shower kit is a thermostatic dual mixer shower which has the option of over head shower & handset shower option. The bar shower valve is a thermostatic mixer which incorporates a thermo-regulating cartridge to assure users of consistent showering temperatures. The valve has been designed & manufactured to comply with BS EN 1287:1999 & BS EN 1111:1999, and is suitable for High pressure shower use (HP-S)

### INSTALLATION:

This mixer should be installed in compliance with Water Supply (Water Fittings) Regulations 1999. If further information is required, please contact your local Water Company.

This shower is suitable for use with the following systems:

- Gravity fed Hot & Cold (equal pressures) minimum working pressure 0.5 Bar (5 metre working head) to achieve this you require 5 metre between the water outlet on your tank to the shower fixed head.
- Unvented Systems.
- Gas Combination Boiler.
- Pumped System.

Conditions of use

	High Pressure	Low Pressure
Maximum Static Pressure - Bar	5	0.5
Flow Pressure, Hot & Cold - Bar	0.5 - 5	0.5 - 1
Hot Supply Temperature – degrees Celsius	55 to 65	55 to 65
Cold Supply Temperature – degrees Celsius	Equal to or less than 25 degrees	Equal to or less than 25 degrees

## Installation guide

- 1:** Determine the correct position and orientation for the shower valve (No23) **(150mm pipe centres)** and screw the cranked connectors (No18) into the appropriate water supplies finished with a ½” BSP female adaptor (not supplied). The installation of the shower must be with **hot inlet on the left and cold inlet on the right**.
- 2:** Screw Flange/Coverplate (No19) over cranked connectors (No18)
- 3:** Insert Washers (No20) into bar valve water inlets. Tighten nuts onto cranked connectors (No18). This Shower valve is clip mounted, it needs to be connected and supported by rigid pipe work. Before connecting the mixer, water must be flushed through the pipes to remove any debris.
- 4:** Mount the pole joint bracket (No7) over the upper pole (No6). Mount the handset holder (No25) over the bottom pole (No6).
- 5:** Join the upper pole & bottom pole (No6) together. **Please note this is left hand thread.**
- 6:** Mount the pole joint bracket (No7) over where the two connected fixed poles join (No6). Tighten the screw found inside the pole joint bracket stem (No7), Securing the upper & lower pole (No6) together.
- 7:** Insert the two flat rubber washers supplied, into the female thread located on the bottom pole (No6). Mount the chrome ‘O’ ring (No24) over the male thread found on top of the shower valve (No23). Sit the fixed poles (No6) over the male thread on top of the shower valve (No23) and tighten the nut located on the bottom fixed pole (No6).
- 8:** Ensure the rubber ‘O’ ring (No10) is in place over the fixed plate (No11). Fasten the dowel (No8) to the fixed plate (No11) using the screw crosshead (No14). Determine the correct position for the fixing plate and fasten to the wall using x3 raw plugs (No12) and x3 screws (No13). Mount the chrome coverplate (No9) over the wall fixing plate (No11).
- 9:** Slide pole joint bracket (No7) over the wall fixing plate (No11). Tighten Allen key screw found on top of the pole joint bracket neck (No7) using Allen key supplied.
- 10:** Mount the fixed head Nut (No5) over the swivel connector (No3). Insert the gauzed ‘O’ ring (No4) into the body of the swivel connector (No3). Tighten the (female side) swivel connector (No3) to the male thread which sits at the end of the fixed pole (No6).
- 11:** Sit the fixed head ‘O’ ring (No2) into the body of the fixed head (No1). Mount the fixed head (No1) over the swivel connector (No3) and tighten with the fixed head nut (No5).
- 12:** Insert the flat rubber washer (No22) into the nut on the end of the flexible hose (No21). Tighten the nut to the bottom male thread on the shower valve (No23).
- 13:** Insert the flat rubber washer (No17) into the end of the flexible hose nut (No21). Tighten the handset (No16) to the flexible hose nut.
- 14:** Water test.