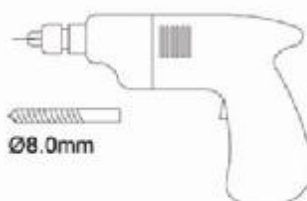
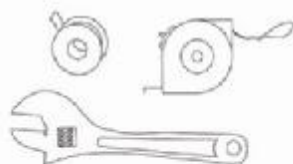
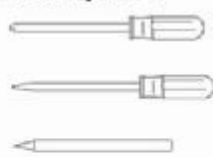


tools required

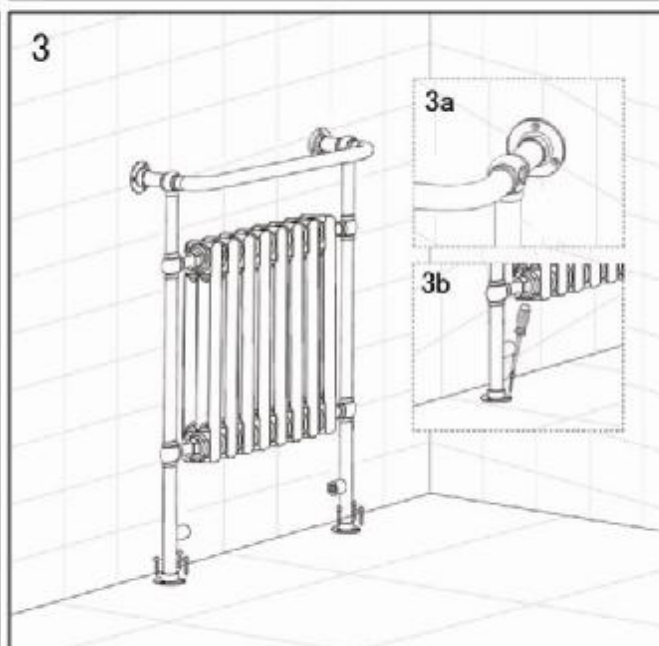
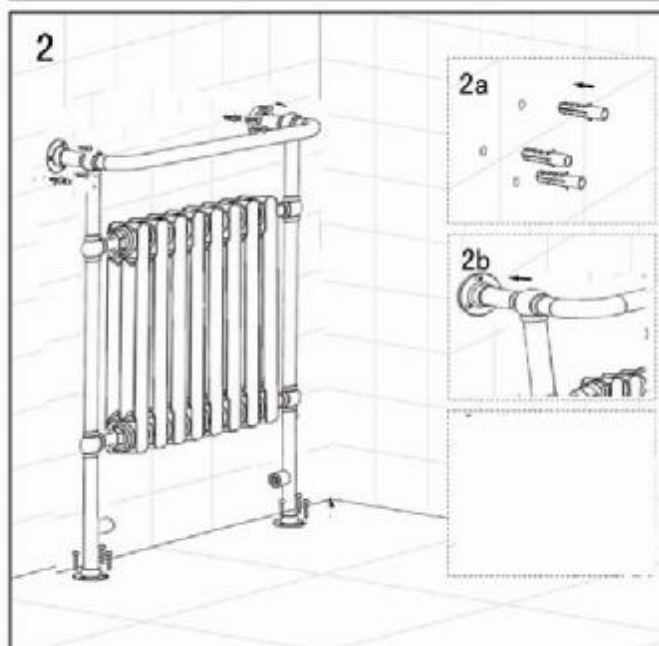
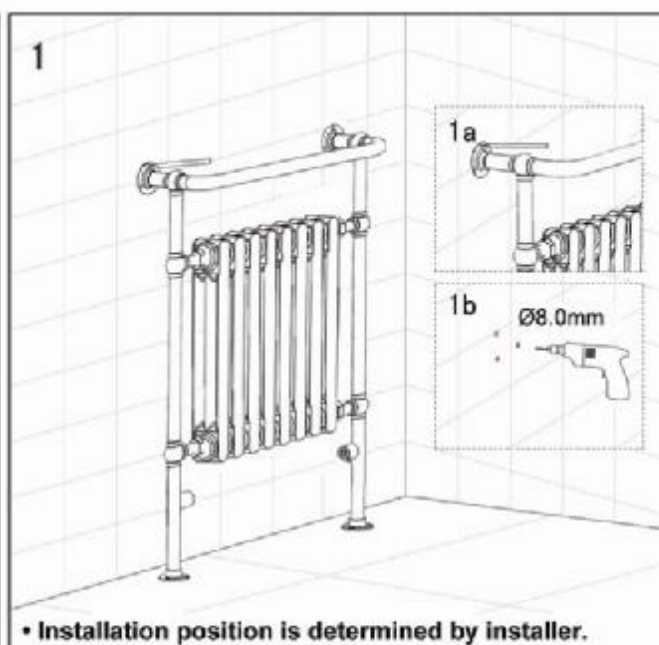
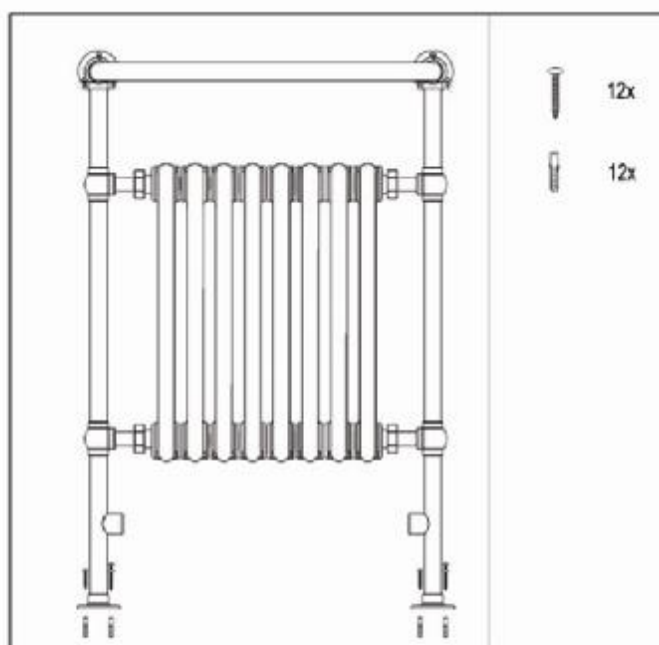


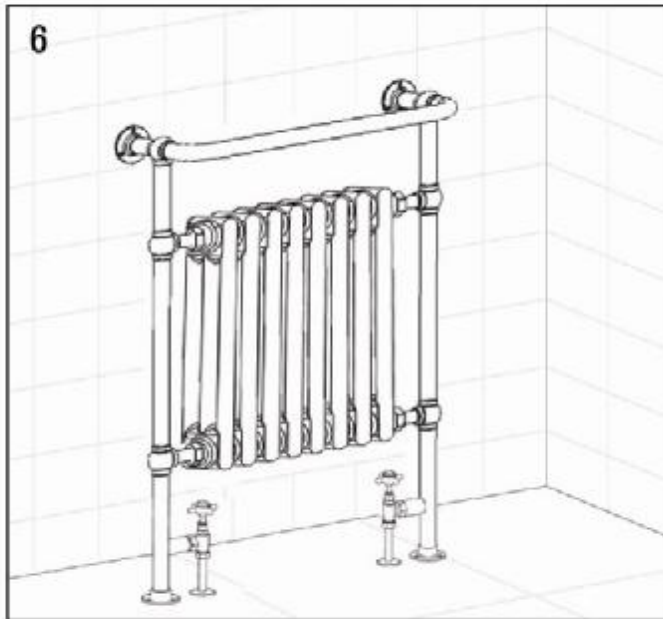
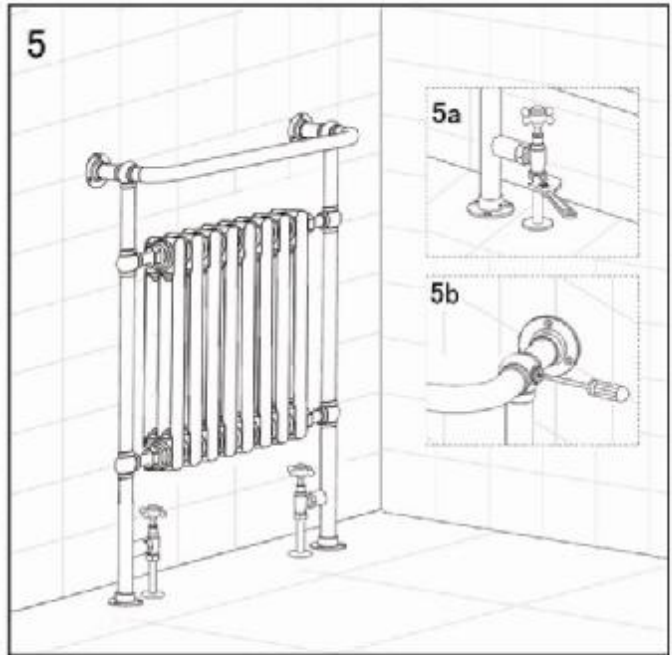
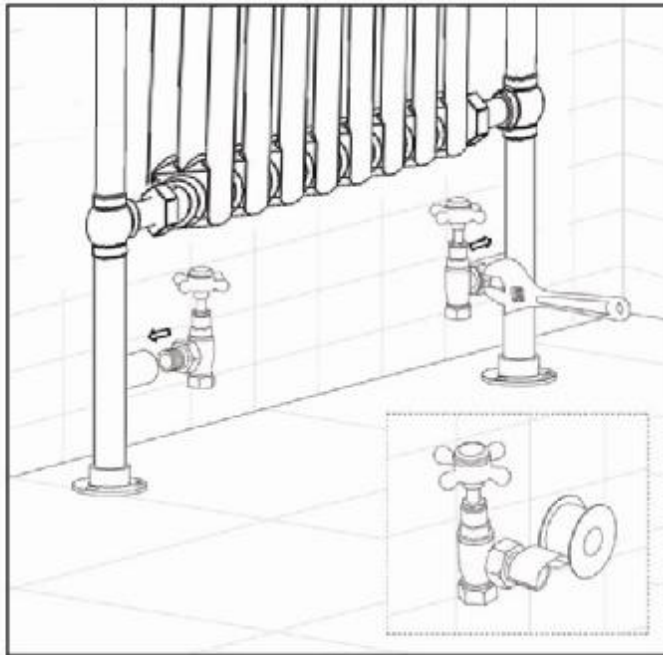
parts required



Classic Radiator Installation Instruction

- review instructions carefully before installation
- installation should be completed by a suitably qualified person
- please dispose of packaging in a responsible manner





After installation ...

- Use a screwdriver to open the air vent, open the inlet valve and let the water rush into the radiator. Check all connections for leaks.
- Once water overflows from the air vent, there is no air in the tube.
- Use a screwdriver to close the air vent, Turn on the outlet valve and the radiator is ready for use.

After care ...

- Classic Radiators are made from Steel with chrome plating, and should not be cleaned with corrosive or scouring cleaning agents.

Please note...

- This product can only be used at $PN \leq 0.6\text{MPa}$ (6Kg/cm^2 , 6 Bar), It should only be filled with water, and at a temperature below 100°C (212°F). See table below for installation requirements. If the temperature exceeds 48°C (or 120°F), please install a warning side near to the product to avoid burning a scolding accidents.

Fillais medium	Pressure	Temperature	Remarks
water only	$PN \leq 1\text{Mpa}$	$0^\circ\text{C} < t \leq 100^\circ\text{C}$	If ambient temperature drop below 1°C , drain out the water to prevent freezing.