

For any further information please contact  
Crosswater on: **0845 873 8840**

Or visit our web-site at [www.crosswater.co.uk](http://www.crosswater.co.uk)

The manufacturer reserves the right to make technical  
modifications without prior notice.

INSTALLATION INSTRUCTIONS

INTRODUCTION

**Please read these instructions carefully and keep in a safe place for future reference.**

**General Installation Requirements**

The installation must comply with regulations of the Local Water Authority as contained in their bylaws. All of the taps in this range are single flow (the hot and cold water mix in the body) and should therefore be supplied with hot and cold water at balanced pressures, both from the tank or both from the mains (via a combination boiler for example). If the taps are not supplied at balanced pressures then the mixer will not function correctly. It will also be necessary to fit non-return valves on both hot and cold feeds. It is very important that all pipe work is flushed thoroughly after installation to avoid damaging the ceramic discs.

**Minimum/Maximum working pressure**

These taps are suitable for high and low pressure installations. They are fitted with a quarter turn ceramic disc cartridge which provides a good flow rate with very smooth movement. To ensure that the bath mixer works adequately under low pressure, the cold water storage tank should be at least 2 metres above the highest installed position. The maximum water pressure is 6 bar (note: mains cold water is normally supplied at between 2 and 3 bar).

For installations where the mains pressure exceeds 6 bar a pressure reducing valve should be fitted.

All the taps are fitted with a flow straightener for use in low pressure installations. If your water is supplied at high pressure you may prefer to change the nozzle to an aerator (supplied in the box) see page 6.

**Approvals**

All products are manufactured using materials tested and approved under the Water Bylaws Scheme and comply with requirements of British Standard 5412: 1996 where applicable.

**Preparation and bylaw requirements**

These taps are single flow so the hot and cold water mix in the body. Water bylaws require that where the hot water is supplied from a tank and cold from the mains, non return valves are fitted on both hot and cold pipes as close as possible to the tap. These are not supplied. Where combination boilers are fitted it is only necessary to shut off the incoming mains and turn the boiler off and non return valves are not required.

**WARNING**

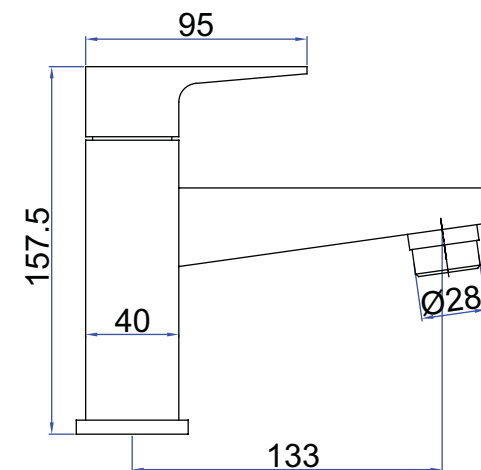
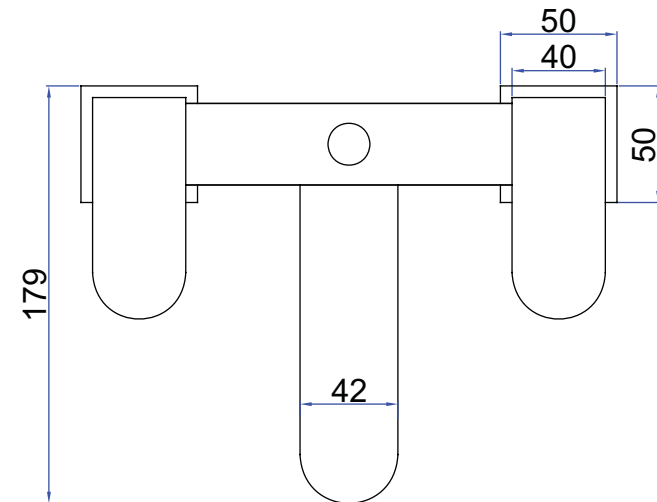
**Before installing the new mixer it is essential that you thoroughly flush through the supply pipes in order to remove any remaining swarf, solder or other impurities.**

**Failure to carry out this simple procedure could cause problems or damage to the workings of the mixer.**

These hints have been prepared for your guidance, you must exercise due care at all times.

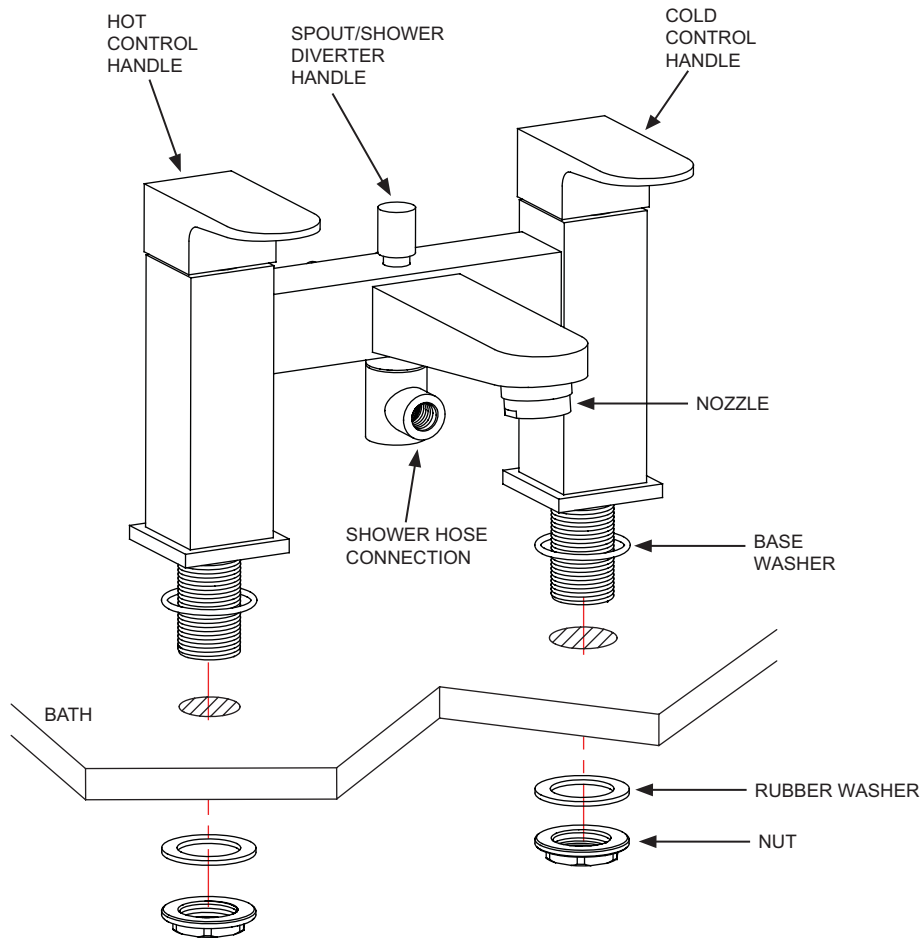
We do not accept responsibility for any problems that may occur through incorrect installation.

DIMENSIONS



NOTE: ALL DIMENSIONS IN MILLIMETRES

## INSTALLATION



## INSTALLATION

First shut off your water heating system then, with your mains stop cock closed, open the lowest hot and cold taps in the house and allow to run until the cold storage tank and pipes are empty (the hot water storage cylinder always remains full).

Fitting isolating valves to the inlet feeds is recommended for ease of maintenance.

## INSTALLATION

**!** Remember to turn off the mains water supply before connecting to any existing pipe work.

Remove the fixing nuts, rubber washers from the tap tails. Insert the tails into the holes on the bath top making sure that the base washers are correctly positioned into the groove in the underside of the tap body.

From beneath slide on the rubber washers followed by the nuts.

Secure the tap finger tight with the nuts, check that the tap is correctly positioned to the rear and tighten fixing nuts. The tap needs to be fixed firmly but do not over tighten as damage may be caused to the bath.

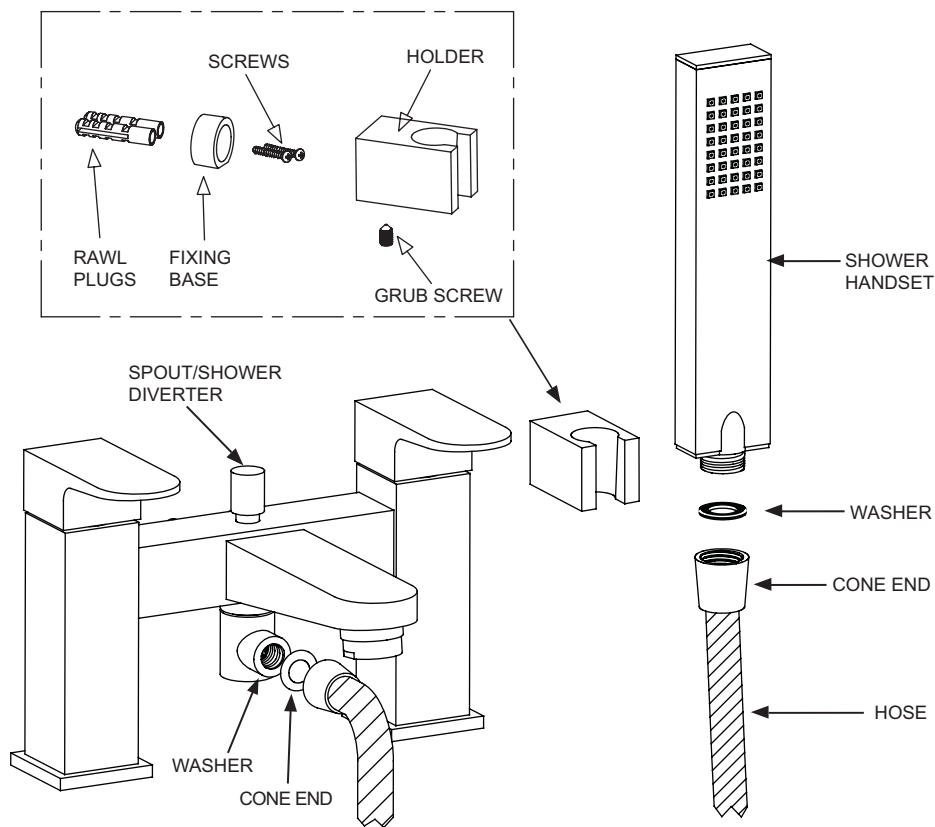
Connect the water supply to the tap with hot water on the left and cold on the right. (when viewed from the front)

## ATTENTION

Having first checked all new connections, turn on the mains stop cock, close all taps except the new mixer and as the system starts to refill check for leaks.

Once you have satisfied yourself that there are no leaks, switch on the water heating.

INSTALLATION



Insert a washer into the cone end of hose and screw to the shower handset.  
 Insert the second washer into the other cone end of the hose and attach it to the mixer outlet.  
 Once final position of shower handset holder is determined mark position of holes on the wall with the holes on the fixing base as reference, then drill holes and insert the rawl plugs provided.  
 Secure the fixing base on the wall with two screws supplied.  
 Finally push the holder over the fixing base and secure by tightening the grub screw under the holder using a suitable allen key.

**Operation:**

Pull the diverter up to operate the shower, it can be locked in position by turning 90°.

MAINTENANCE

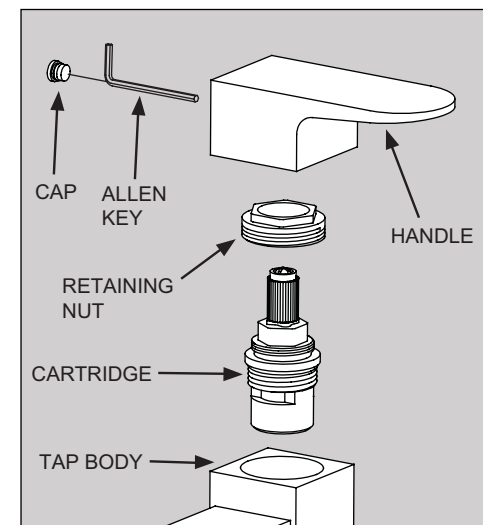
**CLEANING THE CARTRIDGE**

The concealed cartridge should give trouble free service, but in the event of any problems, servicing is straight forward.

**To remove the cartridge.**

**⚠ First shut off the water supply to the tap.**

Pull out the cap from handle and with an allen key loosen the grub screw in handle, but do not remove it. Take off the handle, using a correct size spanner unscrew the retaining nut and the cartridge. Remove the cartridge and wash it with clean running water and make sure that any trapped debris have been removed. Dry and lightly grease the seals (only use silicone grease) and replace the cartridge, retaining nut followed by the handle.



**CLEANING**

The chrome plate we use on our taps is very durable, nevertheless care should be taken when cleaning them. They should be cleaned only with warm soapy water followed by rinsing with clean water and drying with a soft cloth. All finishes are vulnerable to acid attack and some strong substances such as household cleaners, disinfectants, denture cleaners, hair dyes, wine making and photographic chemicals can cause the surface to go black or peel.

MIXER NOZZLES (Option)

All the taps are fitted with a flow straightener for use in low pressure installations. If your water is supplied at high pressure you may prefer to change the nozzle to an aerator.

**To change the nozzle.**

Unscrew the nozzle from the mixer taking care not to loose the washer. Replace the washer, and screw on the chosen nozzle, hand tighten only.

