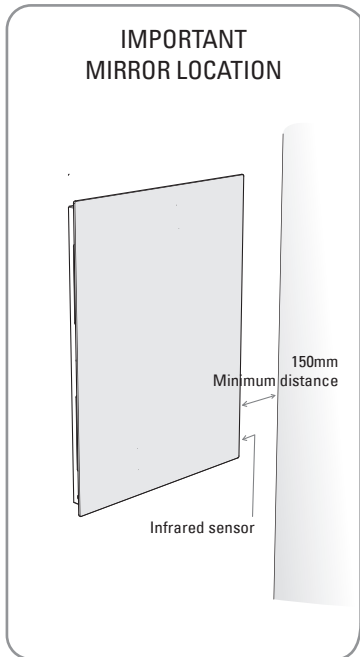
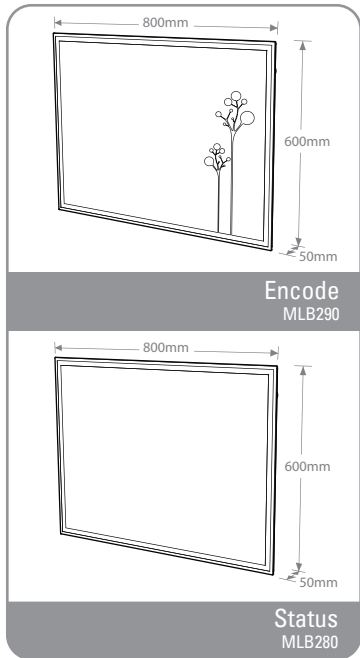


Installation Instructions for Encode & Status Backlit Mirrors

Please read carefully before you start and retain for future reference



SAFETY INSTRUCTIONS

(Applicable to UK Installations only)

All fittings must be installed by a competent person, in accordance with current IEE wiring regulations. If in doubt, consult a qualified electrician.

IMPORTANT

Always switch off the electrical supply at the mains during installation and maintenance. It is recommended that the fuse is withdrawn or the circuit breaker is switched off for the necessary circuit before installation commences.

The product must be mounted a minimum of 150mm from an adjacent wall or obstruction to ensure correct function of the infrared sensor. The sensor can be repositioned if required. See overleaf for details.

Fitting in Bathrooms is subject to the appropriate location (See Diagram). Refer to IEE Regulations. This product is suitable for Zones 2 and outside zones. It IS NOT suitable for installation in Zone 0 or Zone 1. It is also not suitable for installation in Saunas, Steam Rooms or Shower Cubicles.

This product is only suitable for permanent installation. DO NOT connect to a trailing plug and socket outlet.

Although this product has an Ingress Protection rating of IP44, it is only suitable for indoor use.

Do not attach the product to surfaces that are damp or otherwise electrically conductive.

The product should be positioned well away from curtains and other fabrics. Never cover the mirror.

Always ensure that the correct bulb is used and that the maximum bulb rating is not exceeded.

This product is heated, we recommend that it is turned off after use and should never be left on for prolonged periods of time.

CARE & SAFETY

REMEMBER

Wear suitable eye protection when drilling. Take care when using power tools near water - the use of a residual current device (RCD) is advised. Beware of hidden cables or pipes. Take care if drilling on tiled surfaces in case the drill slips. A piece of masking tape applied to the wall before marking out the fixing holes will stop the drill from wandering.

WARNINGS

Do not strike glass components with hard or pointed items. Do not place very hot or very cold items against or in close proximity to glass surfaces unless an adequately thick insulation material is used to prevent such items coming in contact with the glass.

The nominal thickness of the mirror glass used in this product is 5mm and is film backed for safety. If the glass becomes chipped or broken, replace immediately. For details on replacement glass and other components contact customer services at the address below.

This product could be dangerous and installation is only to be carried out by a competent person.

It is recommended that the unit is cleaned with a soft dry cloth when turned off. Never use cleaning agents or abrasive materials on any type of surface finish. Do not allow moisture to come into contact with the lamp.

COMPLIANCE

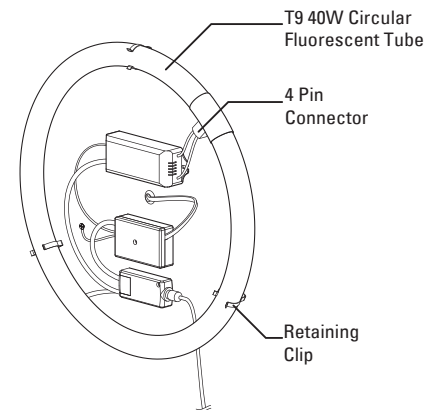
This product complies with the following Electrical Safety Standards:
EN 55015:2001; BS EN 60598-1: 2004, AMD:2001, AMD:2003; BS EN 60598-2-1: 1989. EN 60529: 1992 & A1, A2, A3.

REPLACING LAMPS

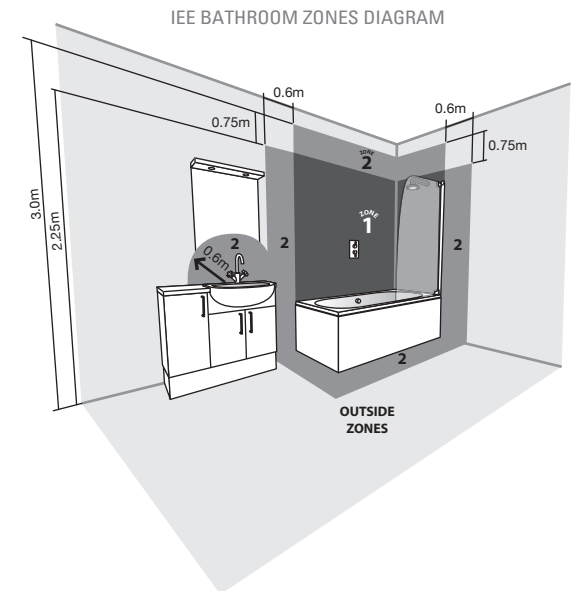
WARNING

Disconnect the unit from the mains power supply before attempting to replace a lamp. Fluorescent lamps may get hot. Ensure lamps are sufficiently cooled before changing. Remove the mirror glass from the body by removing the screws and washers. Disconnect the heated pad by separating the small plug from the socket and store the mirror in a safe place. Then pull out the 4-Pin connector that locates on the circular fluorescent tube and gently pull out the expired lamp from the retaining clips.

Fit the replacement tube in the retaining clips, making sure that it is secure, and push the 4 pin connector onto the lamp. Reconnect the heated pad and replace the glass front making sure all screws are secure.

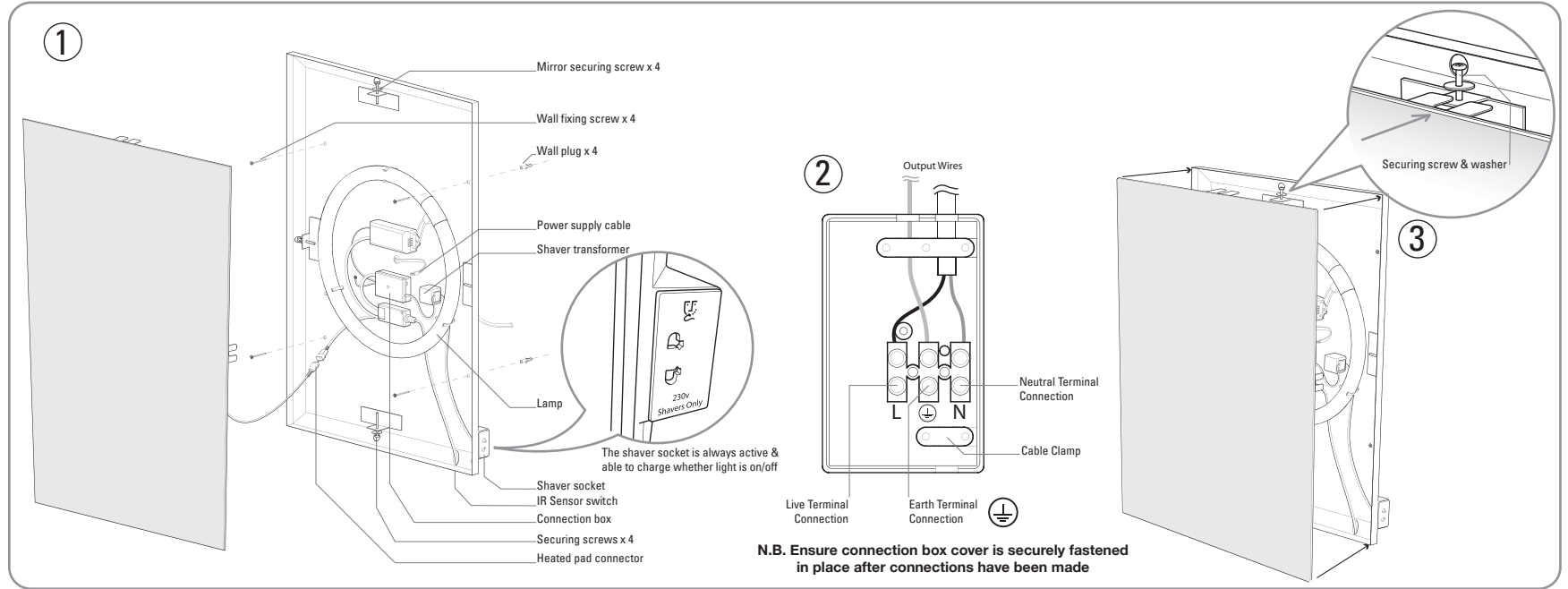
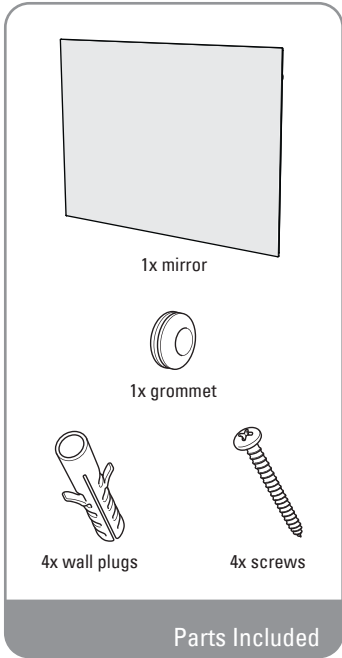


LAMP TYPE:
T9 40W Circular Fluorescent Tube. SAFETY INSTRUCTIONS
(Applicable to UK Installations only)



Installation Instructions for Encode & Status Backlit Mirrors

Please read carefully before you start and retain for future reference



PROCEDURE

The wall surface must be of suitable strength and construction. This mirror can be mounted either portrait or landscape. The drain hole that is not in use i.e. whichever is not at the bottom of the product should be sealed using the rubber grommet supplied.

Note: Wall plugs provided are suitable for Stone or Brick walls. For other wall types use appropriate wall plugs. If in doubt consult an expert.

To ensure correct operation of the infrared sensor the mirror must be mounted so that there is a minimum of 150mm clearance immediately adjacent to the sensor.

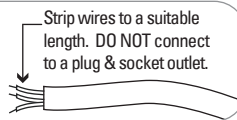
1) Carefully remove the mirror by removing the cover caps on the sides of the mirror and loosening the securing screws through the holes (these should not be removed completely), then separate from the main body. Place the mirror in a safe place for now. The heated mirror pad should be disconnected by separating the plugs.

2) Mark the desired height of the mirror and draw a horizontal line on the wall (using a spirit level) which corresponds with the height of the top holes in the back of the mirror body. Holding the mirror body in place on the horizontal line, mark off all 4 holes in the back of the mirror body. Also mark off where the electrical supply cable must be placed in case this needs to be chased out locally for the installation. Place the mirror body to one side and drill the holes as necessary for the wall plugs.

Insert the wall plugs and screw the mirror body in position having fed the power supply cable through the rubber grommet in the mirror body. Make sure that all screws are secure.

3) Ensure that the electrical supply is turned off at the mains. Remove the connection box cover inside the mirror body and the cable clamp to allow the electrical connections to be made as follows:

THIS PRODUCT IS MANUFACTURED TO CLASS I CATEGORY AND MUST HAVE AN EARTH CONNECTION.

<p>Colour Coding: L - Live = Brown N - Neutral = Blue ⊕ - Earth = Green & Yellow</p>	 <p>Strip wires to a suitable length. DO NOT connect to a plug & socket outlet.</p>
--	--

! IF IN DOUBT CONSULT YOUR ELECTRICIAN !

Strip the mains PVC supply cable as necessary. Thread the power supply through the rubber grommet on the switch box and make the necessary connections in accordance with the current IEE Regulations. Firmly tighten all terminal connections. Make sure the cable clamp is replaced and tightened and the connection box cover is replaced.

IMPORTANT: Loose connections can lead to over heating. Excessive temperatures may lead to scorching of the plastic components, and in extreme cases may even melt. Charring of components is always a consequence of faulty installation or maintenance, and any claims are excluded from the warranty.

4) Reconnect the heated mirror pad.

5) Replace the mirror over the front of the body, ensuring that the metal brackets on the rear of the mirror are located between the metal brackets on the body and the large washers on the securing screws (see diagram 3) Failure to ensure correct location of these brackets could result in the mirror being unsafe. Do not leave unattended until fully secure.

6) Turn back on the electrical supply so that your backlit mirror is operational.

7) To switch the mirror on or off move your hand past the Infrared sensor (must be within 6cm), the heated pad is turned on when the main lamp is illuminated however if the lamp expires the heated pad will still operate. We recommend the product is turned off after use.