

# QUALITY ACRYLIC BATHS MANUFACTURED IN ENGLAND

## BATH FIXING INSTRUCTIONS for LUXURY & SHAPED BATHS

### PLEASE NOTE

- Before fixing any bath or panel - remove ALL protective covering and examine carefully. The polythene film must be removed in full and the bath checked for any visible damage.
- Check that colour match is acceptable to sanitaryware and panel.

Any refixing costs or claims for wrong colour match, and/or any other faults will not be accepted - **AFTER FIXING**

**ATTENTION!**  
**REMOVE FILM PRIOR TO FITTING**

- Please note prior to fitting your Bath carefully remove all the packaging and film from the bath and examine the bath for damage and suitability of colour match
- Check the panel fit and match prior to installation

**No Claims for the above will be accepted once the bath is fitted**

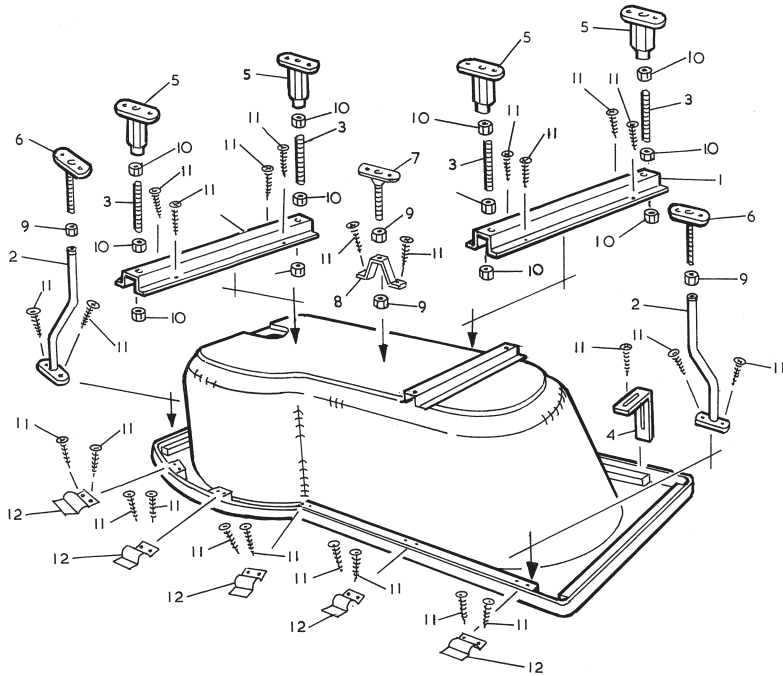
**List of Parts Supplied:**

| Item No. | Quantity | Description               | Checked |
|----------|----------|---------------------------|---------|
| 1        | 2        | 500mm Channels            |         |
| 2        | 2        | 350mm Jack Legs           |         |
| 3        | 4        | 120mm allthreads          |         |
| 4        | 2        | Wall Fixing Brackets      |         |
| 5        | 4        | M12 x 65mm Plastic Foot   |         |
| 6        | 2        | M10 x 200 Metal Feet      |         |
| 7        | 1        | M10 x 90mm Centre Foot    |         |
| 8        | 1        | Centre Foot Bracket       |         |
| 9        | 4        | M10 Nuts                  |         |
| 10       | 12       | M12 Nuts                  |         |
| 11       | 36       | 16mm Self Tapping Screws  |         |
| 12       | 8        | White Plastic Panel Clips |         |
| 13       | 1        | Fitting Instructions      | YES     |

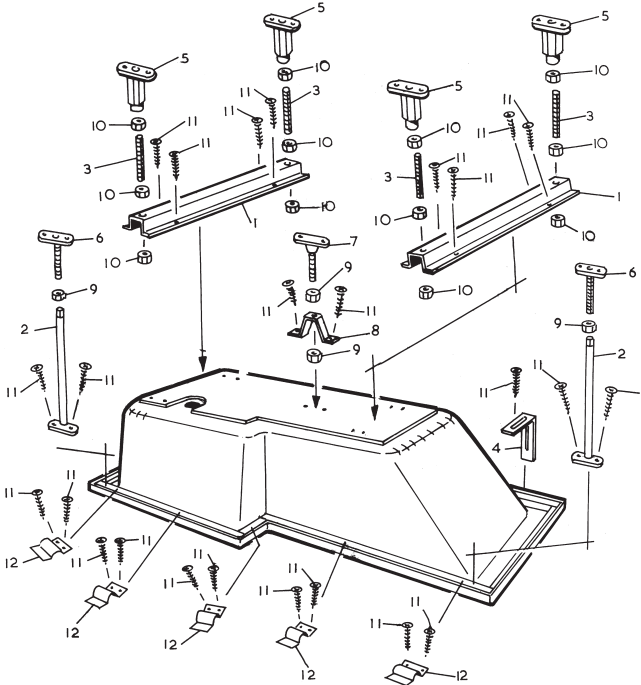
**Please Note:**

- Baths should be set at supplied panel height.
- The 18mm baseboard is encapsulated on all baths listed above (i.e. under the GRP reinforcement).
- Half of the panel clips supplied should be secured (if possible) to the floor.
- Panel Clips are not required on double ended baths.

# CURVED SHOWER BATH



# L SHAPED SHOWER BATH



# DOUBLE ENDED BATH



# BOWFRONT BATH

