

EUROWA BATHTUBS

MADE OF STEEL ENAMEL



Bathtub with waste at foot end

Classic rectangular model

Available in alpine white or pergamon

Anti-slip optional

Bolt-on leg set 5039

Made of steel enamel effectively
resisting scratches, abrasion and acid

Made in Germany

140/70 | 150/70 | 160/70 | 170/70

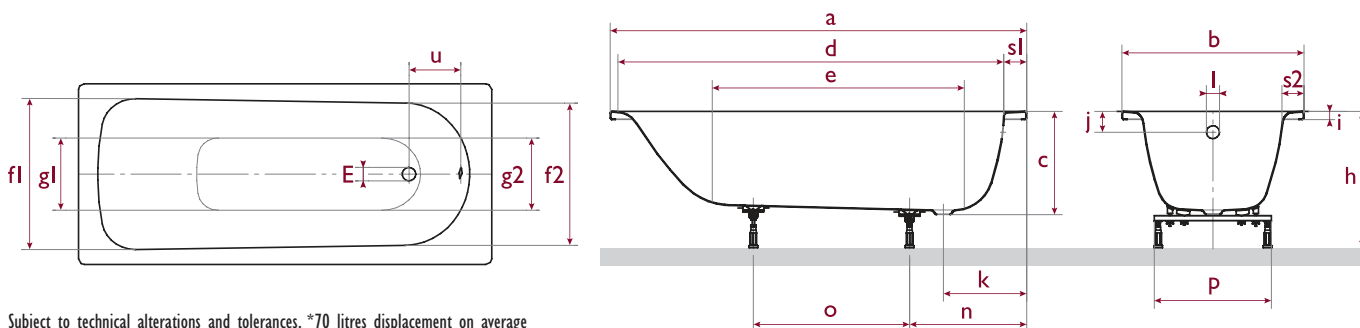
EUROWA BATHTUBS

MADE OF STEEL ENAMEL

- Bathtub with waste at foot end
- Classic rectangular model
- Available in alpine white or pergamon
- Anti-slip optional
- Bolt-on leg set 5039
- Made of steel enamel effectively resisting scratches, abrasion and acid
- Made in Germany



	Diagram Ref.	140/70	150/70	160/70	170/70
External length	a	1400 mm	1500 mm	1600 mm	1700 mm
External width	b	700 mm	700 mm	700 mm	700 mm
Depth	c	390 mm	390 mm	390 mm	390 mm
Internal length (top)	d	1230 mm	1330 mm	1430 mm	1530 mm
Internal length (bottom)	e	850 mm	950 mm	1050 mm	1150 mm
Internal width (top)	f1 f2	550; 530 mm	550; 530 mm	550; 530 mm	550; 530 mm
Internal width (bottom)	g1 g2	390; 350 mm	390; 350 mm	390; 350 mm	390; 350 mm
Height with feet	h	515-535 mm	515-535 mm	515-535 mm	515-535 mm
Height of rim	i	32 mm	32 mm	32 mm	32 mm
Distance top edge to centre of overflow hole	j	65 mm	72 mm	70 mm	63 mm
Distance tub edge (foot) to centre of drain hole	k	310 mm	320 mm	310 mm	310 mm
Diameter of overflow hole	l	52 mm	52 mm	52 mm	52 mm
Diameter of drain hole	m	52 mm	52 mm	52 mm	52 mm
Distance foot end of tub edge to centre of base	n	455 mm	445 mm	452,5 mm	450 mm
Distance between the feet	o	445 mm	555 mm	600 mm	740 mm
Max. width of feet	p	380 mm	380 mm	380 mm	380 mm
Width of rim (foot end; lengthwise)	s1 s2	85; 75 mm	85; 75 mm	85; 75 mm	85; 75 mm
Distance between centre holes	u	212 mm	212 mm	212 mm	212 mm
Water volume* in litres		51	61	72	86
Anti-slip		Ø 288 mm	Ø 288 mm	Ø 288 mm	Ø 288 mm



Subject to technical alterations and tolerances. *70 litres displacement on average