

For any further information please contact
Crosswater on: **0845 873 8840**

Or visit our web-site at www.crosswater.co.uk

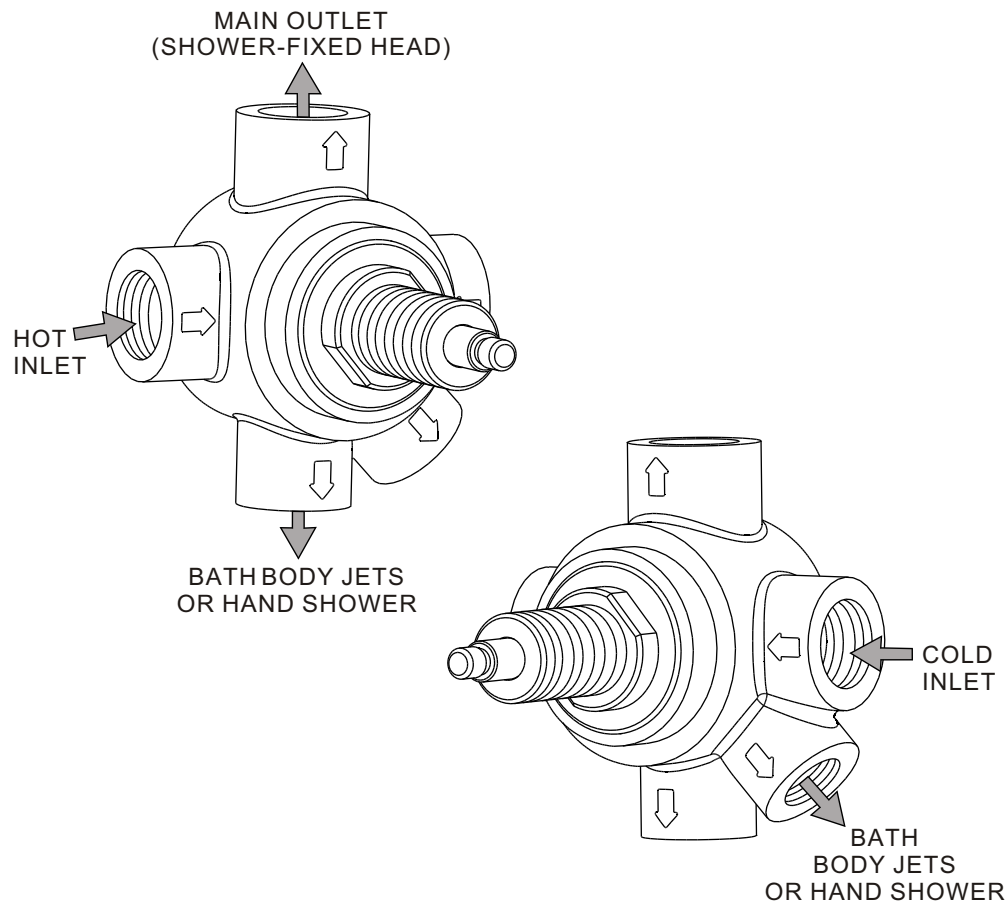
The manufacturer reserves the right to make technical
modifications without prior notice.

INSTALLATION INSTRUCTIONS

INTRODUCTION

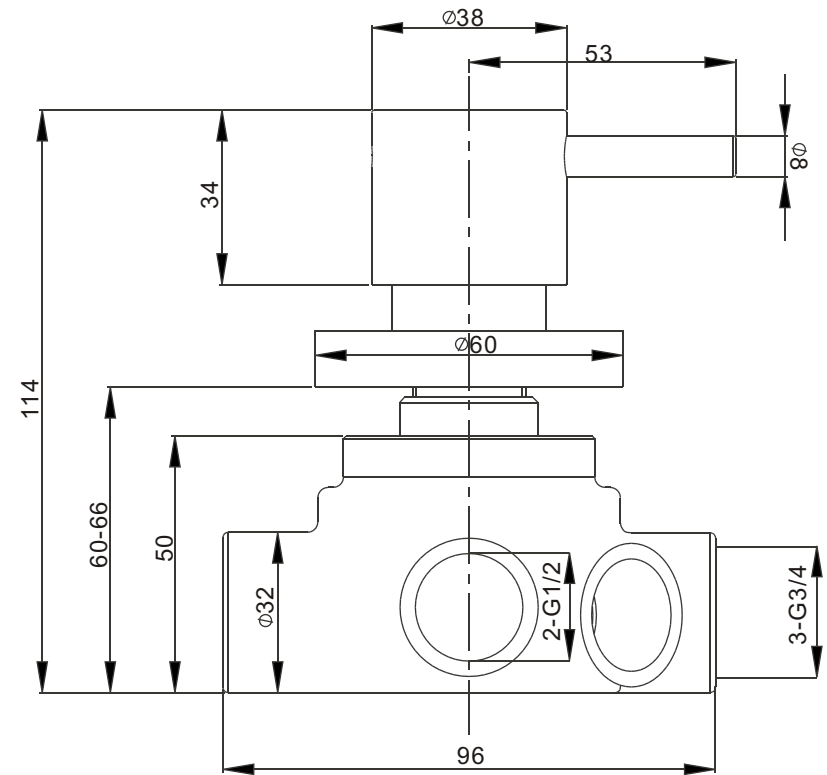
This diverter valve is suitable for use with all water systems with a operating pressure 1 Bar up to 5.0 bar, (beyond which we recommend pressure reducing valves to be fitted).
The valve has three outlets that allow for additional fittings to be supplied.

PARTS IDENTIFICATION



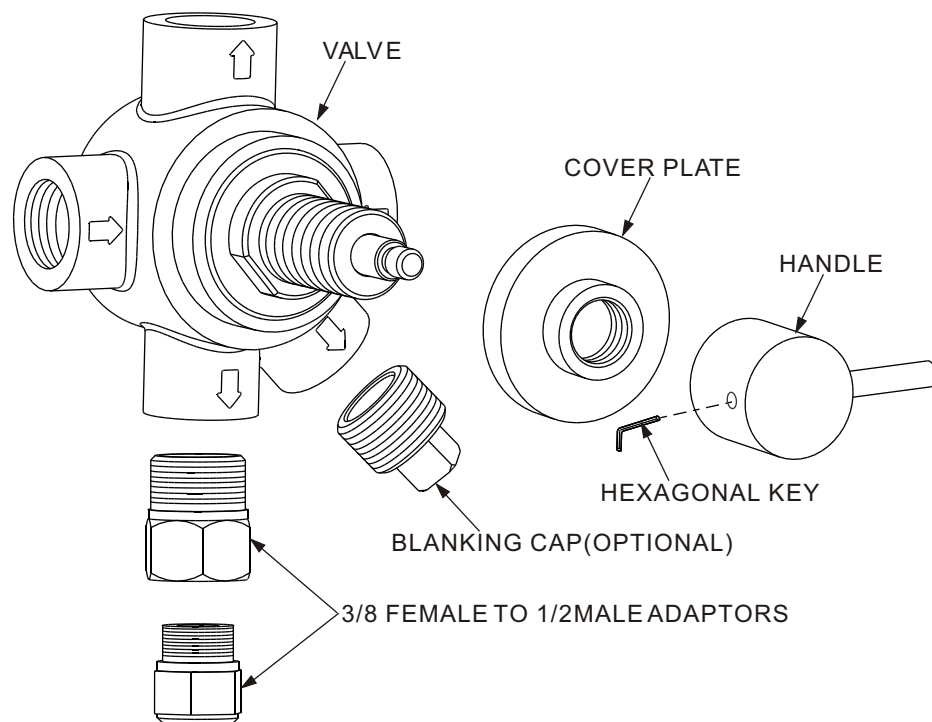
NOTE: ALL DIMENSIONS IN MILLIMETRES

DIMENSIONS



NOTE: ALL DIMENSIONS IN MILLIMETRES

INSTALLATION



INSTALLATION

First shut off your water heating system then, with your mains stopcock closed, open the lowest hot and cold taps in the house and allow to run until the cold storage tank and pipes are empty (the hot water storage cylinder always remains full).

Where combination boilers are fitted it is only necessary to turn off the boiler and shut off the incoming mains.

Fitting isolating valves to the inlet feeds is recommended for ease of maintenance.

INSTALLATION

⚠ Remember to turn off the mains water supply before connecting to any existing pipe work.

⚠ Warning! Please check for any hidden pipes and cables before drilling holes in the wall

The valve is secured in place by means of rigid (clipped) pipe work. Make sure the valve is setback from the front face of the wall by the appropriate depth to allow for plasterboard, filling and tiling etc.

Inlets and outlets are 1/2" & 3/4" ports. Make all pipe work connections using a proprietary thread sealer. Do not use tapered threaded adaptors.

Blank off and seal the open outlet if it is not required.

Apply a narrow bead of clear silicone sealant around the back edge of the cover plate and carefully press into position.

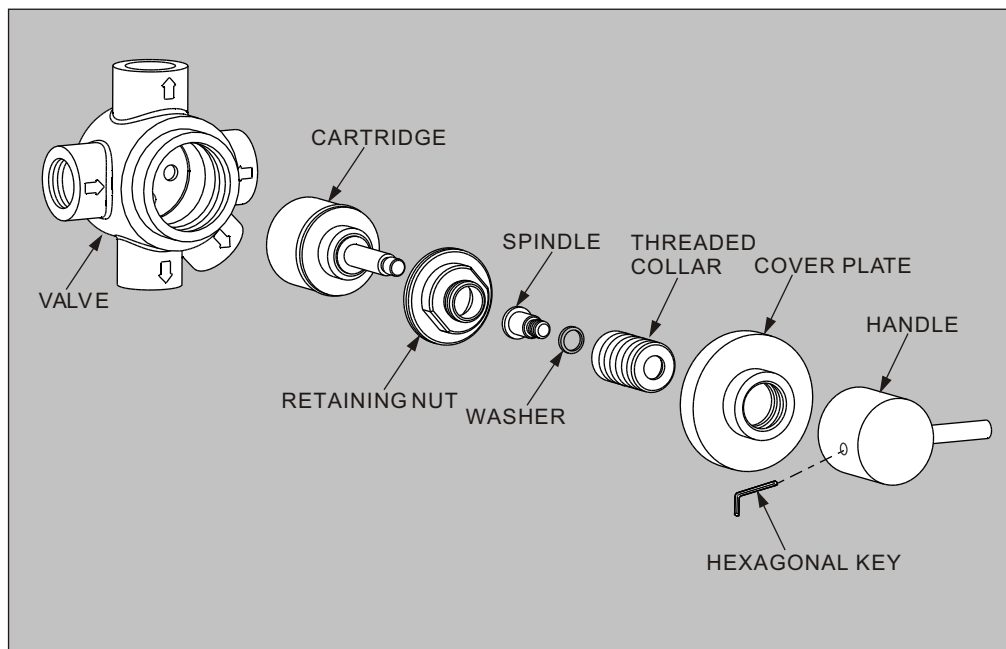
Fit the control knobs by lining up the flat surface of the valve cover with the grub screw on the handle, tighten the screw with the supplied hexagonal key.

ATTENTION

Having first checked all new connections, turn on the mains stopcock, close all taps except the new mixer and as the system starts to refill check for leaks.

Once you have satisfied yourself that there are no leaks, switch on the water heating.

MAINTENANCE



CLEANING

The chrome and gold plate we use on our taps is very durable, nevertheless care should be taken when cleaning them. They should be cleaned only with warm soapy water followed by rinsing with clean water and drying with a soft cloth. All finishes are vulnerable to acid attack and some strong substances such as household cleaners, disinfectants, denture cleaners, hair dyes, wine making and photographic chemicals can cause the surface to go black or peel.

CLEANING THE CARTRIDGE

The concealed cartridge should give trouble free service, but in the event of any problems, servicing is straightforward.

To remove the cartridge.

First shut off the water supply then loosen the grub screw and remove the handle. Take off the cover plate & threaded collar. Take off and keep safe the washer and spindle before unscrewing the retaining nut.

Taking note of the orientation of the cartridge remove it.

Wash the cartridge with clean running water, dry and lightly grease the seal.