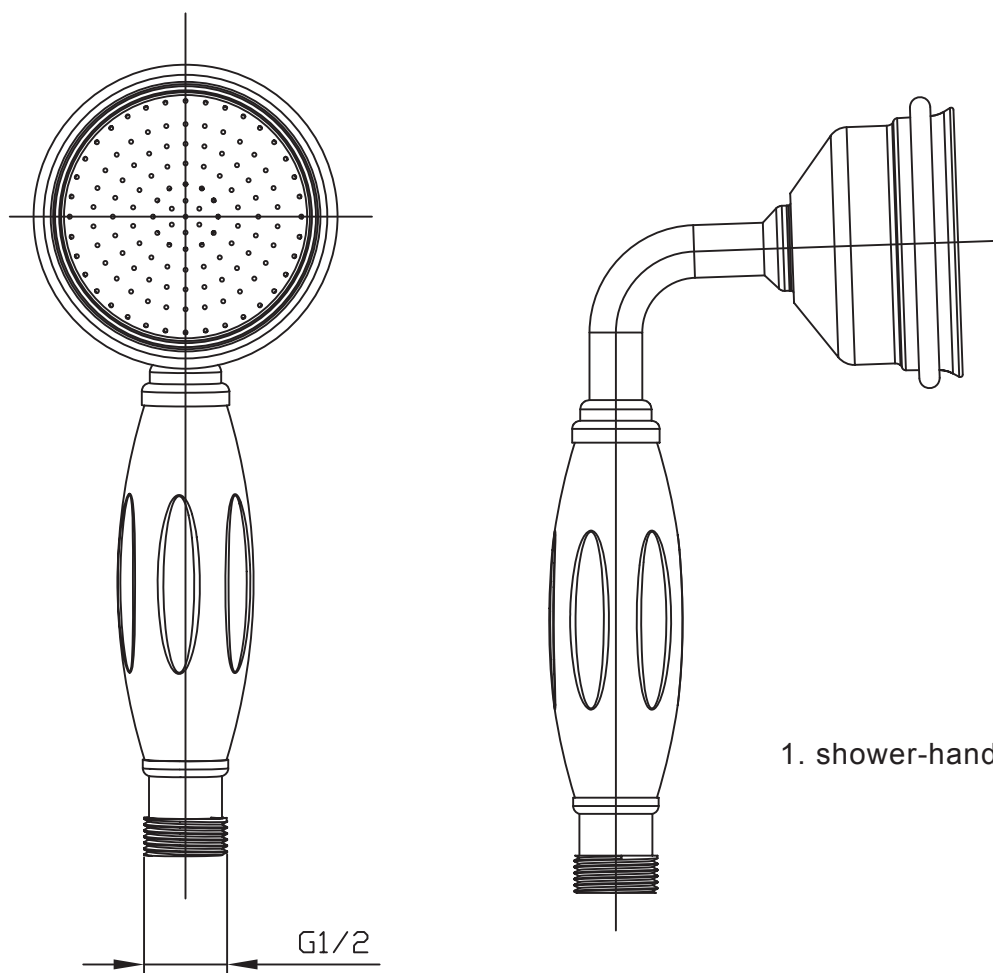


Installation instructions



Thank you for purchasing this Victorian Plumbing product. Please follow these care instructions to ensure your product retains its high quality finish
- **and retain this leaflet for future reference.**

1. Identify all components are present prior to installation
2. The thread of product is suitable for G1-1/2
3. The shower-hand is single function
4. Check all joints and connections for leaks



1. shower-hand

Victorian Plumbing

Diamond House. 41, Stephenson Way. Formby Business Park Formby. England. L37 8EG

Tel: 0044 800 862 0878

Website: www.victorianplumbing.co.uk