

Installation instructions



Thank you for purchasing this Victorian Plumbing product. Please follow these care instructions to ensure your product retains its high quality finish - **and retain this leaflet for future reference.**

1. Identify all components are present prior to installation
2. Put the long connecting pipe (2) into flange and screw the nut tightly (as show on figure 1)
3. Make the long connecting pipe (2) transferred into the thread of the shower curtain rail(1) (as show on figure 2)
4. Put the shower curtain rail(1) at a predetermined position and make a mark at the position of the screw hole (as show on figure 3)
5. Drill hole by elcetric drill and put the plastic pipe(4) into hole
6. Install the shower curtain rail and screw the nut tightly

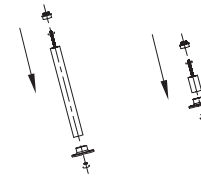


Figure 1

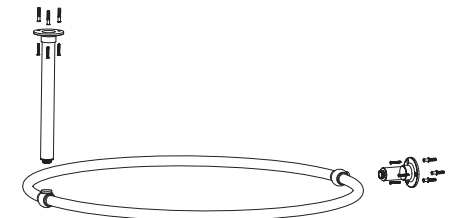
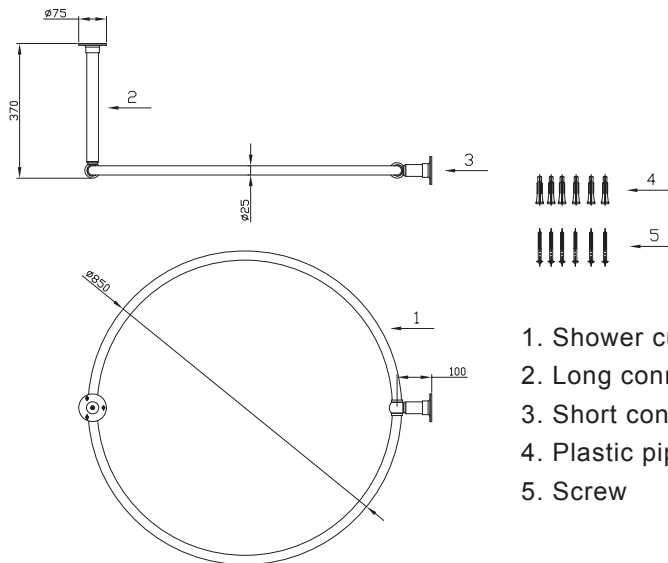


Figure 2



1. Shower cutrain rail
2. Long connecting pipe
3. Short connecting pipe
4. Plastic pipe
5. Screw

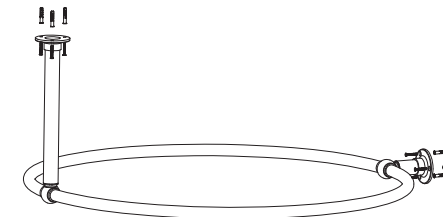


Figure 3

Victorian Plumbing

Diamond House. 41, Stephenson Way. Formby Business Park Formby. England. L37 8EG

Tel: 0044 800 862 0878

Website: www.victorianplumbing.co.uk