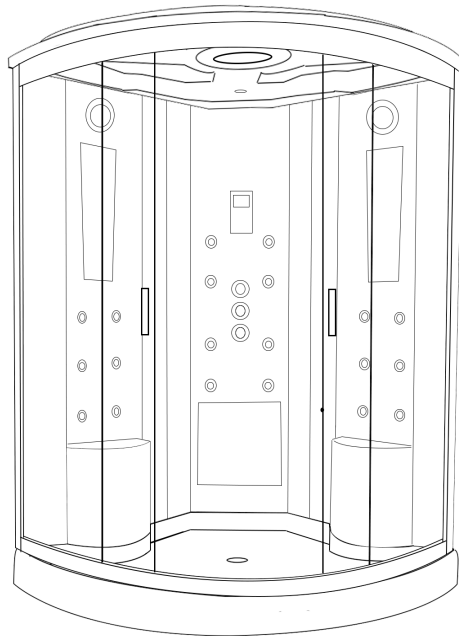




www.insigniarange.co.uk

# INSTALLATION MANUAL

## INS9000



30 Day Technical Support: 01908 226545

(NOTE: This service is only available to customers from the day of delivery, please have your supplier's details and your postcode to hand before calling)

Replacements Parts: inside of your warranty contact:  
[www.insigniarange.co.uk/customerService.aspx](http://www.insigniarange.co.uk/customerService.aspx)

Spares/Replacements Parts: outside of your warranty  
contact 0844 800 3069

**ATTENTION INSTALLERS:**

These instructions must be  
left with the customer

**CHECK ALL CONTENTS BEFORE BUILD COMMENCES. NO RETURNS CAN BE MADE  
ONCE THE BUILD HAS STARTED AS IT IS DEEMED ACCEPTANCE OF PRODUCT!**

WARRANTY REG NO: \_\_\_\_\_

To claim your full 5 year warranty, register your shower within 90 days of delivery at: [www.insigniarange.co.uk/warrantyreg.aspx](http://www.insigniarange.co.uk/warrantyreg.aspx). Standard 12 month warranty applies if outside this time period.

# Contents

|  |           |
|--|-----------|
| <b>Introduction</b>                      | <b>3</b>  |
| Electrical Requirements                  | 5         |
| <b>What's In The Boxes?</b>              | <b>6</b>  |
| Screw Pack Contents                      | 7         |
| <b>Plumbing Requirements</b>             | <b>8</b>  |
| Schematics                               | 10        |
| <b>Starting The Installation</b>         | <b>11</b> |
| Electric Box/Steam Generator Connections | 26        |
| <b>Sealing and Water Testing</b>         | <b>27</b> |
| SUN Control Panel Instructions           | 28        |
| <b>Help Book Information</b>             | <b>31</b> |
| Spare Parts                              | 32        |



Thank you for your recent purchase of an Insignia shower. Please read this booklet with great care to ensure you get the best out of your build and have a shower that will last for many years to come!

Like everything, in order to obtain a first class product that will serve you well for many years, the effort and correctness put into the assembly will reflect in the quality of your finish.

**OUR BADGE RATING IN TERMS OF DIFFICULTY OF ASSEMBLY IS BASED ON CLIENT FEEDBACK**

1 Badge = Very easy

2 Badges = Easy

3 Badges = Moderate

4 Badges = Harder than average

5 Badges = Professional skills required

This shower is rated 5 Badges



### ASSEMBLY AND PLUMBING

THIS PRODUCT BUILD IS RATED SUITABLE FOR DIY PURPOSES PROVIDING THE CUSTOMER IS OF ABOVE AVERAGE SKILL AND FEELS CONFIDENT IN THEIR ABILITY. ONLY YOU THE CUSTOMER WILL KNOW THIS SO BEFORE ANY ATTEMPT IS MADE TO ASSEMBLE, READ THROUGH THE FOLLOWING PAGES IN DETAIL THEN DECIDE. IF YOU HAVE ANY DOUBT USE THE SERVICES OF A PROFESSIONAL. IN PICKING SUCH, ALLOW THEM TO DECIDE IF THEY ARE CAPABLE OF BUILD BY FIRST SHOWING THESE INSTRUCTIONS TO THEM. ALWAYS GET THREE QUOTES.

REMEMBER THE BEST IS NOT ALWAYS THE CHEAPEST!

REMEMBER PLUMBERS PLUMB! 90% OF THIS JOB IS NOT PLUMBING!

### **DUE TO THE NATURE OF THIS PRODUCT WE HIGHLY ADVISE THE PURCHASE AND FITTING OF A WATER SOFTENER**

(PLEASE NOTE LIMESCALE BUILD UP MAY CAUSE DAMAGE TO YOUR SHOWER AND WILL NOT BE COVERED UNDER WARRANTY)

### ELECTRICAL CONNECTION TO HOUSE MAINS

WHEN YOUR ITEM IS ASSEMBLED ALWAYS USE THE SERVICES OF A FULLY QUALIFIED ELECTRICIAN COMPANY TO COMPLETE THE CONNECTION FROM SHOWER TO THE HOUSE SUPPLY. LAWS DEMAND IN MANY CASES YOU DO THIS AND YOUR WARRANTY IS VOID IN REGARDS TO THE ELECTRICAL ITEMS IF THIS IS NOT UNDERTAKEN.

YOURS AND OTHERS SAFETY IS PARAMOUNT. NEVER ATTEMPT THIS YOURSELF!

### REMEMBER:

These showers are designed to be free standing and movable from their location should you have the need to replace anything. ALWAYS USE Flexible braided water inlet pipes (not supplied) at least a metre long (not central heating plastic type!)

Always use a flexible waste pipe from your house supply to the shower .

NEVER FIX with rigid pipes, NEVER FIX the unit to the wall.

### **DURING BUILD, LIKE ALL SHOWERS CORRECT SEALING IS IMPERATIVE.**

**If you are using Insignia's RubberGum, please ensure the product does not come in contact with your silicone as this will cause the RubberGum to fail and will not adhere as intended.**

## **ATTENTION**

**ALWAYS FIT EASY TO GET TO ISOLATION TAPS ON BOTH THE HOT AND COLD WATER SUPPLY (NOT SUPPLIED). JUST LIKE A DISHWASHER OR WASHING MACHINE, THIS PRODUCT MUST BE ISOLATED WHEN NOT IN USE.**

**FLEXIBLE SUPPLY HOSES (NOT SUPPLIED) COUPLE HERE AS ORIGIN OF SUPPLY**

**TOTAL ELECTRICAL REQUIREMENTS**

|                  |            |
|------------------|------------|
| Voltage Rating   | 220 -240AC |
| Frequency Rating | 50HZ       |
| Power Rating     | 2.8KW      |

Your electrical contractor should understand **ALL** legal requirements of connection before undertaking any work or installation.

**UNDER NO CIRCUMSTANCES UNDERTAKE THIS YOURSELF!!!**

Note for electrician. This product comes with 13 amp plug(s) fitted with an RCD unit. We leave it this way for you to connect this your own way due to continued additions to current regulations. As at October 2010 we offered two methods.

- 1) Connect within current laws and IP directives using plug and RCD provided with steam version or supply one for non steam version
- 2) (Preferred) Wire into isolated fused feed connecting directly to the house consumer/service box. Remove the fitted plug and ensure the Consumer unit has capabilities to replace RCD feature if RCD is removed.

Always use protection against electrical surge. Your shower should be treated the same as a home computer. A surge protector should eradicate the possibility of either the transformer or computer control being burnt out. Please note earth is required and found on chassis of shower tray. A further earth is required from Steam Generator unit. Each earth must ground through power supply line.

## Tool Requirements

None Supplied



Scissors



Stanley Blade



Silicone Gun



Spirit Level



Tape Measure



Philips Screwdriver



Electric Drill

## Adhesive Requirements



Bacteria Resistant Sanitary Silicone - (for vertical joints)

Not Supplied



RubberGum

Supplied



Plumbers Mait (for waste joints)

Not Supplied

## Hardware Requirements



A Steam Shower requires 3 x 1 Metre Braided Hose

Not Supplied

Whilst the next steps show you how to assemble your shower we want to make sure you have a correct build to ensure you get a trouble free shower. Therefore our advice is to follow the instructions and perform a dry run to ensure you are confident with the build and you understand fully how the unit is assembled. When we use the word "DRY RUN" this means you do not silicone anything, just simply construct the shower, align, drill and screw everything together. Once you are happy with the build take the unit apart and carry out the final fix.

## **What's In The Boxes?**

### **Tray Box**

1x Tray

1x Roof

2x Curved Rails

Accessories Box

### **Glass Room**

2x Door seals

2x Glass door

2x fixed glass

### **Backwalls**

3 X Backwalls in individual boxes.

**In addition to above you will have all the required internal accessories to complete the shower**

## Insignia Screw Pack

| Product Code  | Description                                       | Quantity |
|---------------|---|----------|
| SP097         | Door Handles                                      | 2        |
| SP023         | 4 x Double wheels / 4 x Push Button Single Wheels | 8        |
| ST20          | 20mm Screws                                       | 8        |
| ST12          | 12mm Screws                                       | 24       |
| BN22/N6/SW9   | 22mm Screws / Washers / Hex Nut                   | 10       |
| PRC20         | Securing Clips                                    | 4        |
| BN28/N10/BW12 | 28mm Screws / Washers / Hex Nut                   | 20       |
| DB6           | Drill Piece                                       | 1        |

### VERY IMPORTANT

Have you got everything? If not please contact the Insignia Support Line on 01908 226545. Remember **NEVER** book your tradesman until everything has arrived, been checked and is present. No replacement/missing parts can be obtained free of charge during or after the build. Any claims can only be within the timescale permitted (48 hours after delivery) and always **BEFORE** build.



### Pressure Requirements from your house supply

We recommend a bar pressure between 2.5 and 3.4 BAR. If you have a combi boiler system no problem should be experienced. If you have a gravity feed older type installation (hot water tank type usually less than 1 bar) you will almost certainly need a pump. We cannot advise on which type of pump is used, location or design because all house plumbing layouts vary. This is a job for your installer/plumber. The end delivery however must fall within the scope above.

**Important Note** Do not exceed 3.4 BAR pressure under any circumstances. Warranty is void if so as damage will occur. If you have a combi supply, please use a pressure reducing valve if required to lower the BAR pressure to the shower.

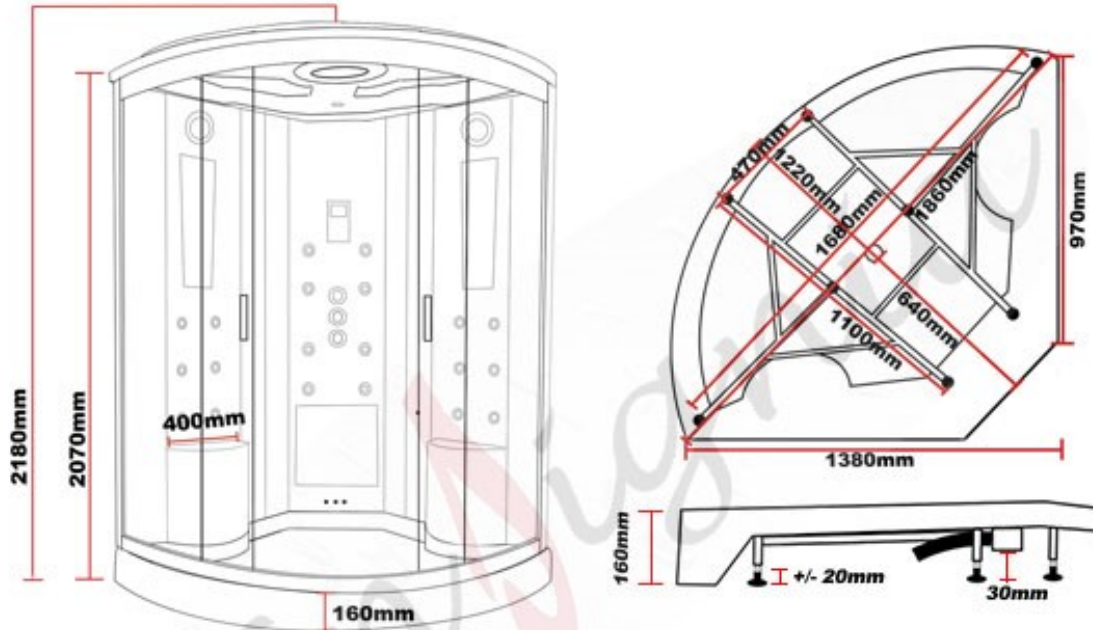
Please Remember that this product is free standing and is designed to be pulled away from the wall.

The waste hose must be of a flexible type (1m flexible waste supplied).

The water supply pipes need to be at least 1 metre in length and must be that of a flexible braided type (not supplied).

**DO NOT OVERTIGHTEN THE BRAIDED HOSES AS IT CAN CAUSE THE CONNECTION TO POP AFTER A FEW WEEKS OF USE**

# INS9000



Please ensure you have at least 400mm each side of your shower for assembly and servicing



Internal Height for this shower is 1960mm 6'5"

Whilst we endeavour to ensure our measurements are correct they should be used as a guide only. Insignia accept no responsibility as size, design and specification may change without prior notice.

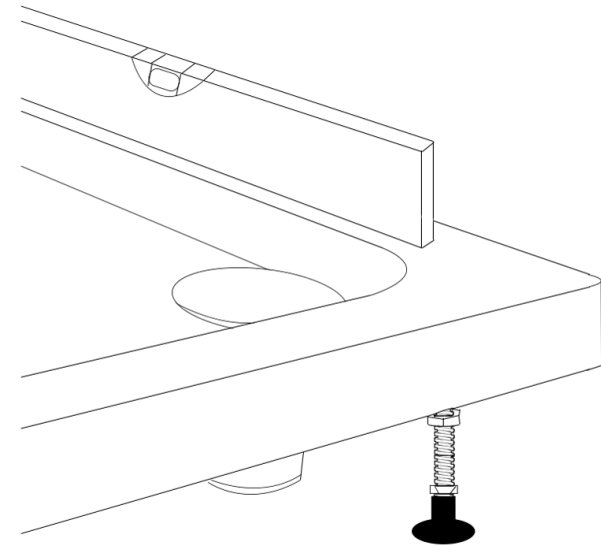
**Whilst the next steps show you how to assemble your shower we want to make sure you have a correct build to ensure you get a trouble free shower. Therefore our advice is to follow the instructions and perform a dry run to ensure you are confident with the build and you understand fully how the unit is assembled. When we use the word “DRY RUN” this means you do not silicone anything, just simply construct the shower, align, drill and screw everything together. Once you are happy with the build take the unit apart and carry out the final fix.**

### TO START

Make sure you have a clear space, remember when finished and in place you need access to check your build and able to pull the shower out for servicing or should you have the need to replace anything!

Take the shower tub and remove all the protective wrapping and fit the waste. In the side of the waste supplied in the optional fitting kit you will notice a spigot not seen on an ordinary waste. In most cases this is blanked yet should you have a steam version you need to gently drill this out as this item is for the steam generator drainage and will be connected in the instructions later.

Now please level the tray by firstly placing the tray in its final location and then using a spirit level, adjust the tray feet accordingly. Once you are happy with the levelling of the tray, you can pull it out to begin the main construction.



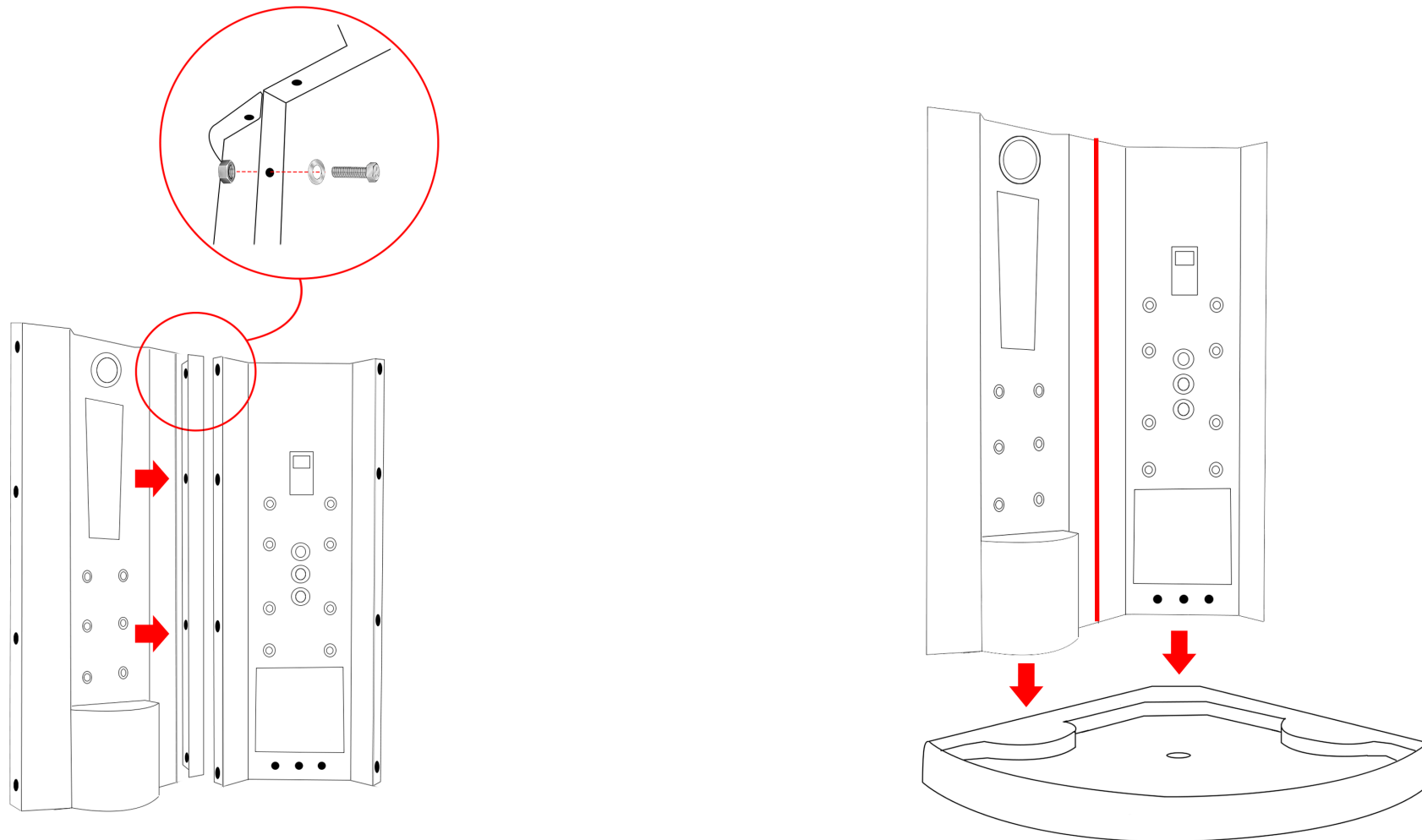
### Step 1

You will have three back panels in three separate boxes. The panel with the control panel on is always the central panel. You will notice in the tray at the back there will be a round hole, which is for the hose going from the steam generator to the waste.

Connect two of the back panels, as shown in the image. Ensure that you insert the T-Strips between the left and centre panel and run a bead of silicone in the 'T' on either side (red vertical line).

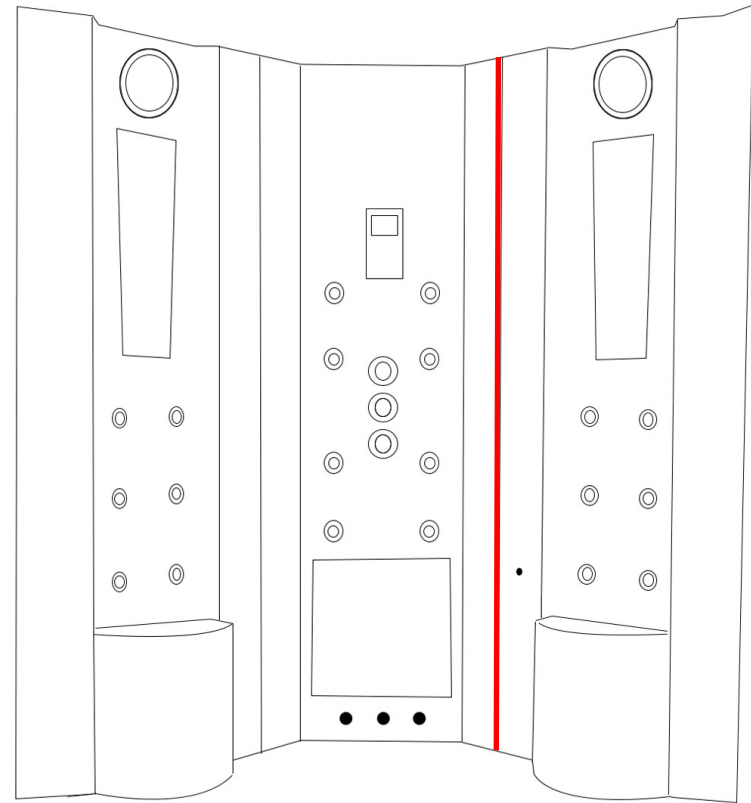
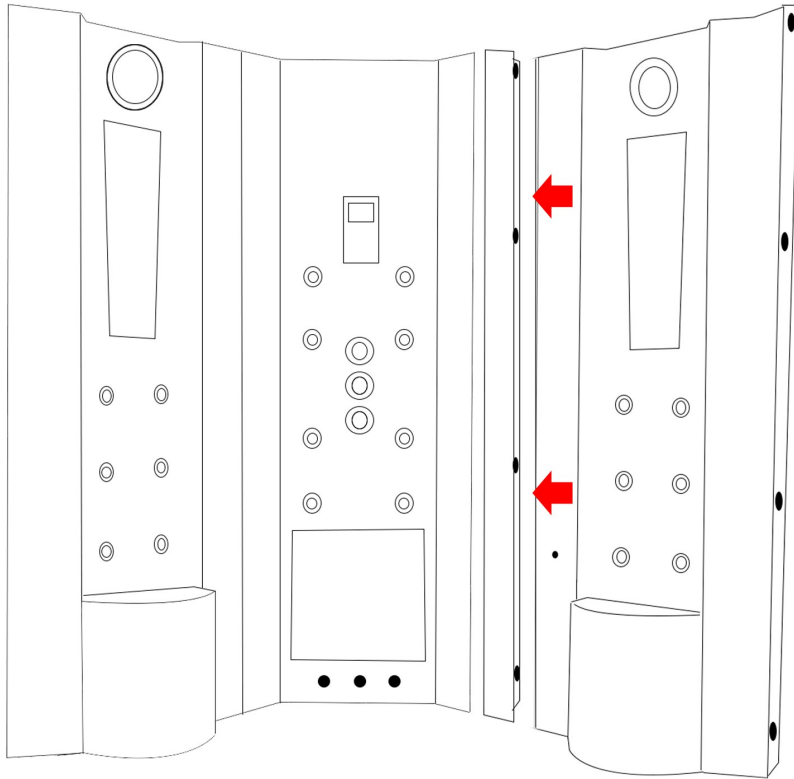
Secure into position using the **B28/N10/BW12** bolts, washers and hex nuts as shown in the image below at all four points.

Place on tray to align but **do not** RubberGum or screw together yet.



**Step 1 (continued)**

Take the third back panel and connect using the exact same process as the previous page.

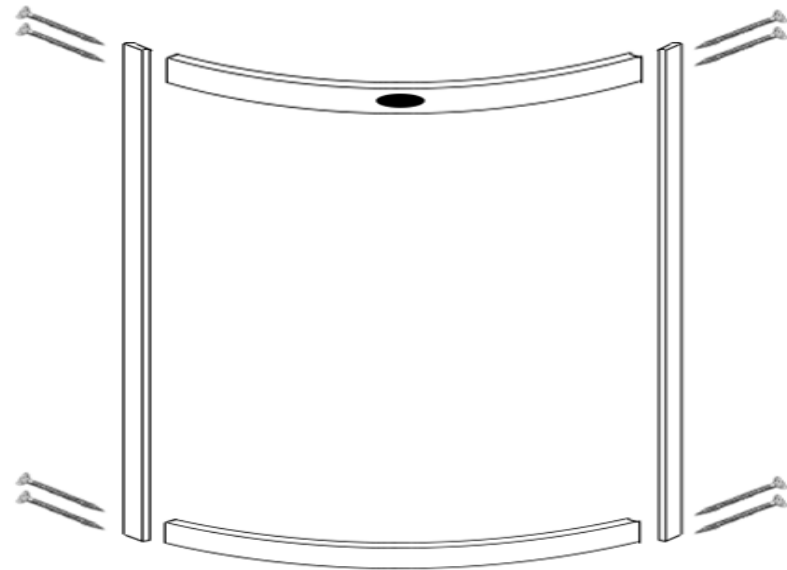


### Step 2

Attach the uprights to the curved rails using the **ST20** screws. The screw should pass through the outer holes, but if it doesn't the core out the outer hole to enable the screw to pass and connect the framework.

(Rail with Insignia logo at the top)

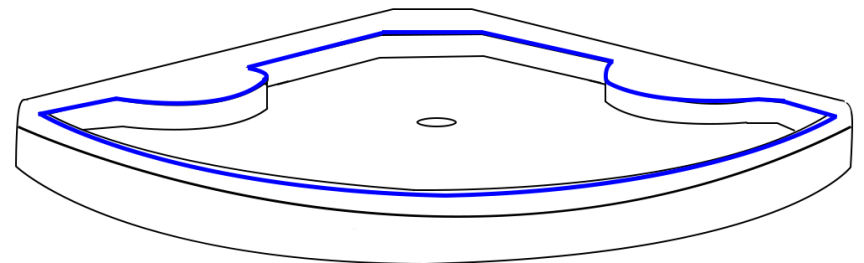
The uprights have the cut-out located at the top to allow the fitting of the roof, so make sure you connect the frame with the cut-out located at the top.



### Step 3 (RubberGum)

You can jump forward and do step 4 now if you wish and return here after to apply the RubberGum.

Apply RubberGum around the tray to seal the back panels to it. Also apply around the curve to seal the framework to the tray as well. You should have placed the three back panels and be happy with the alignment, as well as the framework you connected in step 2 to know exactly where the RubberGum should be applied.

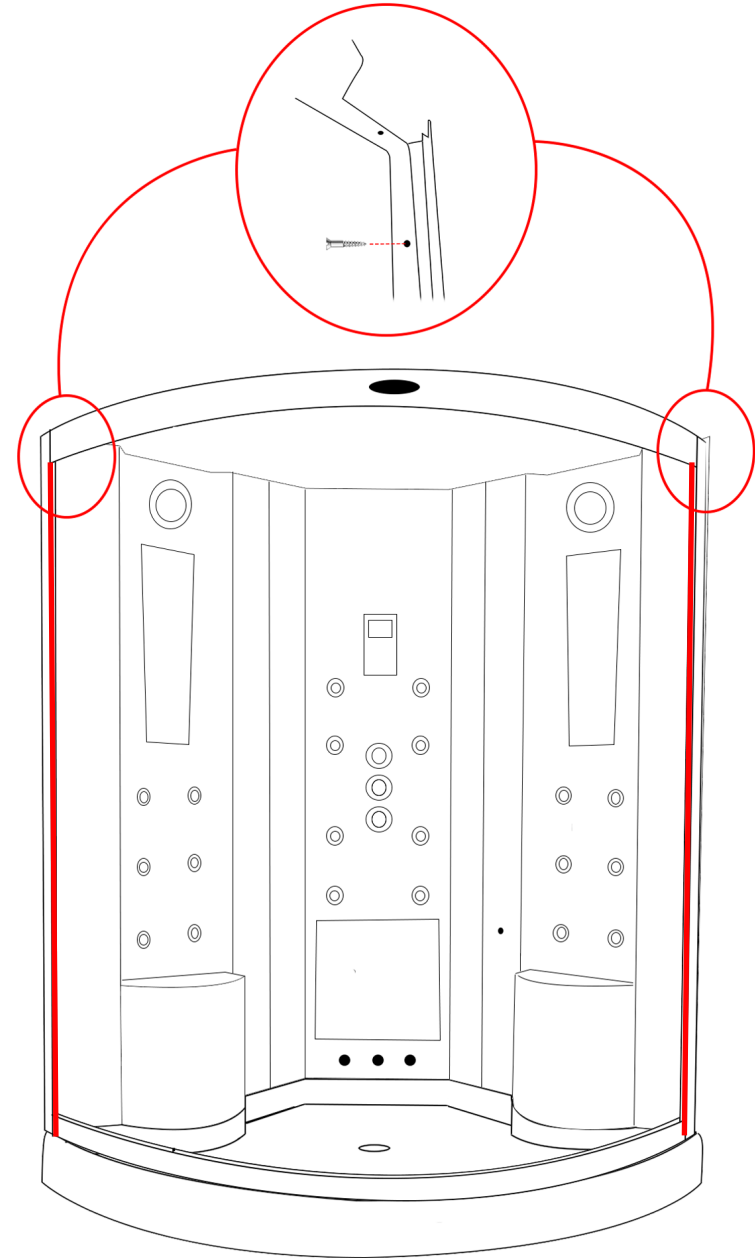
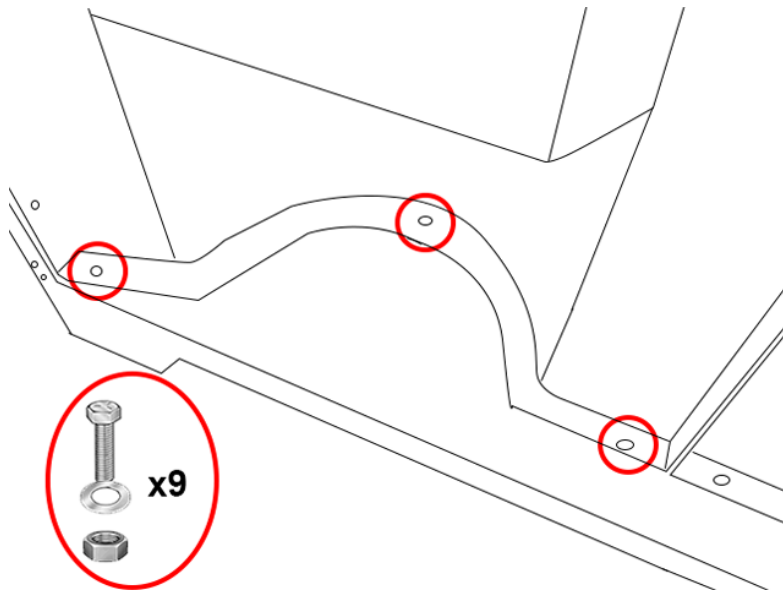


#### Step 4

Take the front frame and meet this to the back panels and screw together using the **ST12** screws. Run a bead of silicone down the edge where you connect the frame and back panels shown on the diagram as red vertical lines.

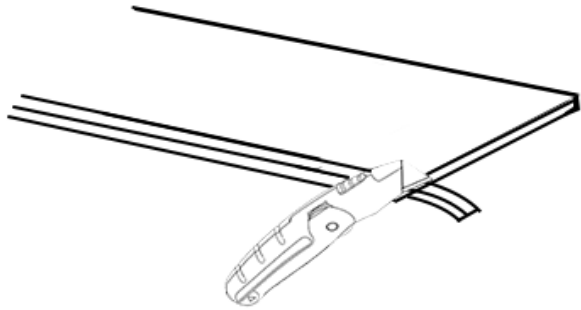
If you opted to connect this framework prior to applying RubberGum then please return to step 3 and apply RubberGum.

Once aligned onto the RubberGum, now you can go round the back of the shower and connect the back panels to the tray. The holes are not pre-made for this in the tray, but they are in the back panels, so you will need your drill, **DB6**, **B22/N6/SW9** nut, bolt and washer.



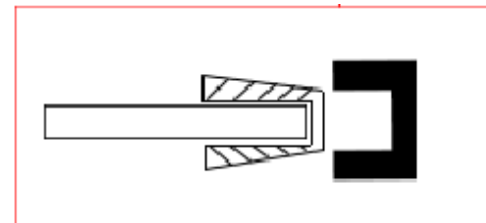
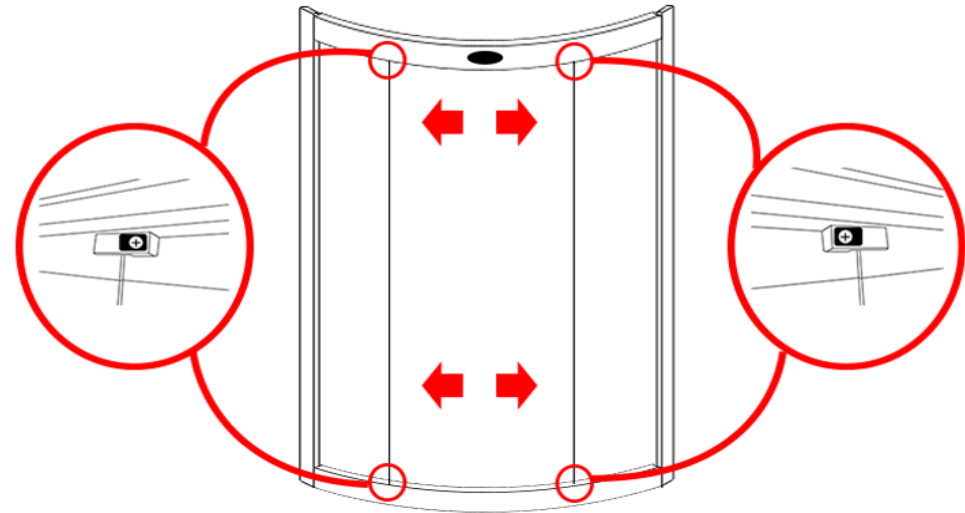
### Step 5

Take the 2 front glass panels and lay them down gently. Now attach the “U” shape rubber seal to one side of each panel and cut off any excess.

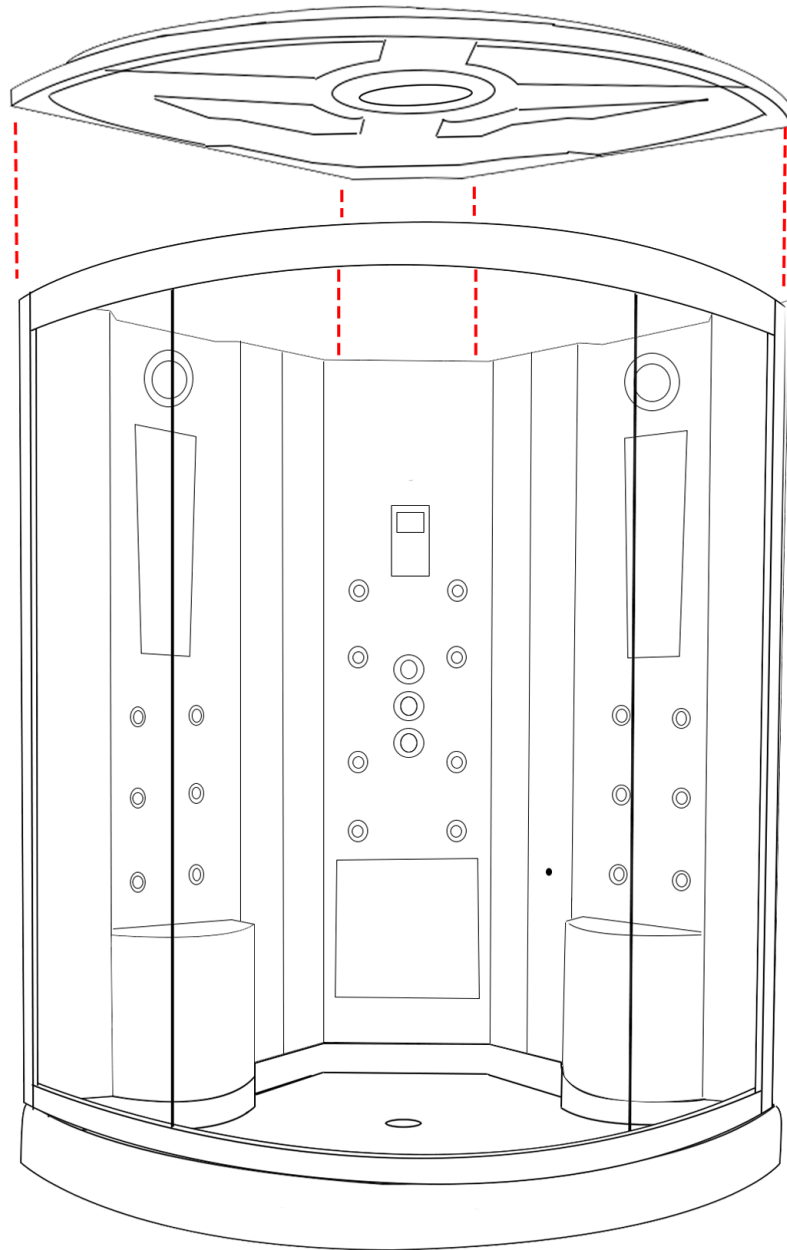


### Step 5 (continued)

Now push the front fixed glass into the frames in the direction as shown by the below arrows and then fix into place using the **PRC20** securing clips and **ST12** screws



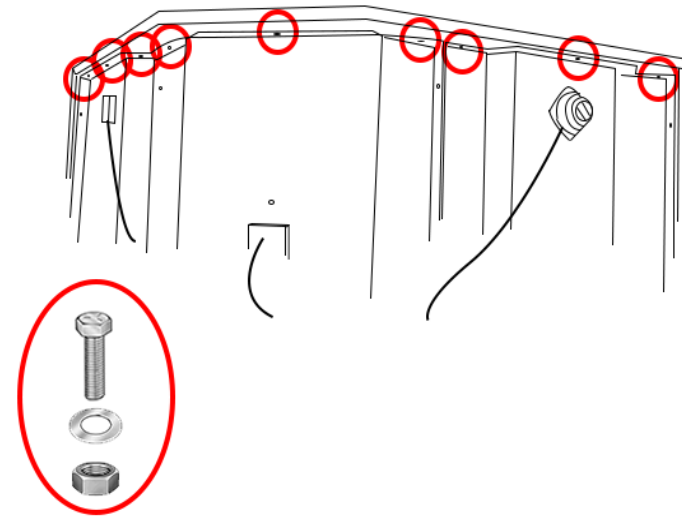




**Step 6**

Align the roof into position and connect using the nuts, bolts and washers (**B22/N6/SW9**) connect the back panels to the roof.

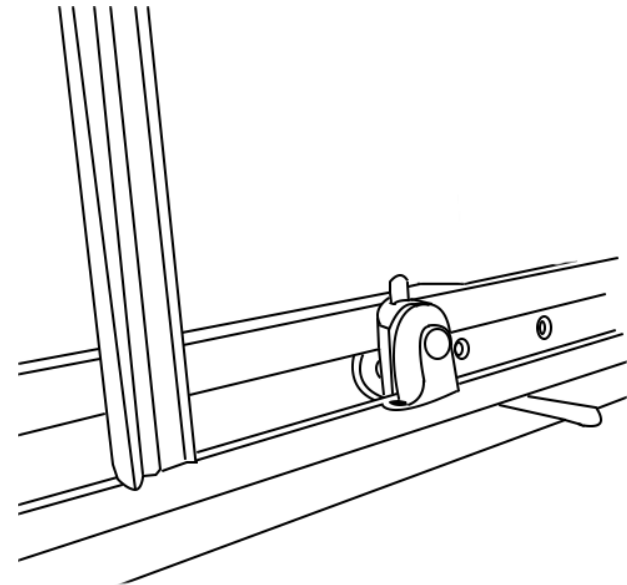
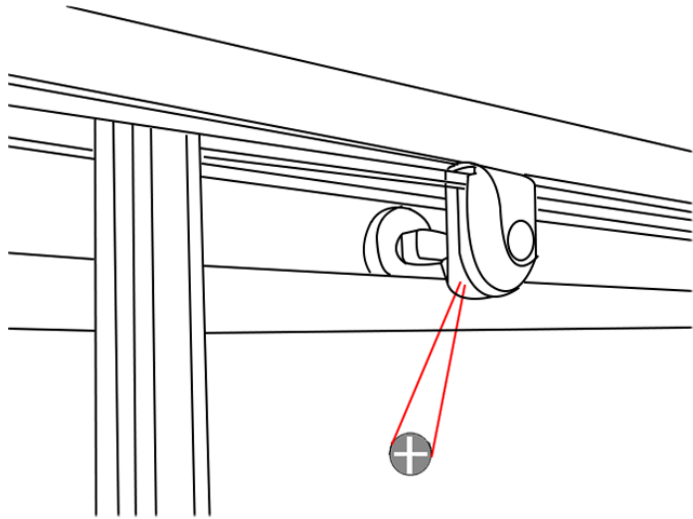
NOTE: If a small gap exists silicone seal later



### Step 7

Taking the left and right hand doors insert the wheels to the top and bottom of each door. Ensure the double wheels fix to the top of the door and the single push button to the bottom. To secure in to place simply unscrew the bolt at the back of the wheel and prise apart the wheel. Push the wheel over the bottom/top of the door and re-attach the bolt.

To hang the doors, **carefully** carry the door in to the shower and hang the top wheels on to the track. Next de-press the buttons on the bottom wheels until the wheel falls in to the rail. Do this for both doors the close them up together. It will be more than likely the doors wont meet correctly at this stage, therefore adjust the top wheels by the screw underneath the wheel up or down by screwing clockwise/anti-clockwise until the doors meet perfectly.

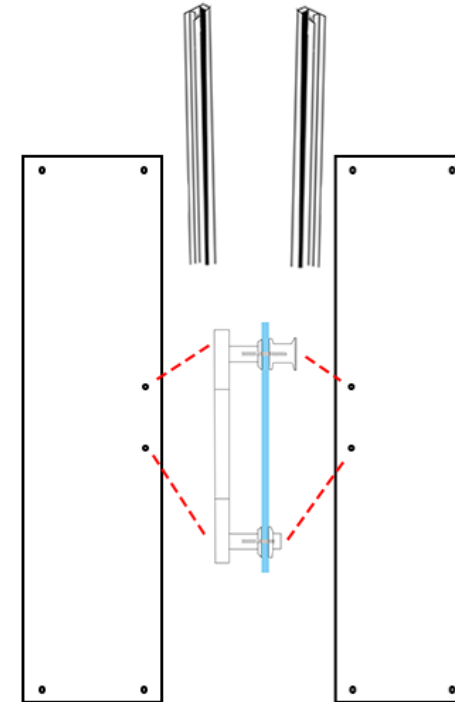
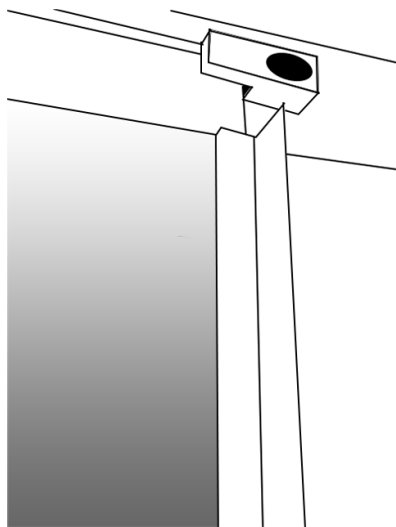


### Handles

Ensuring that the inner thread is protruding out from the handle far enough, place the handle on the outside of the door and secure by tightening the inner chrome knob to the protruding inner thread

### Magnetic Seals (If not fitted)

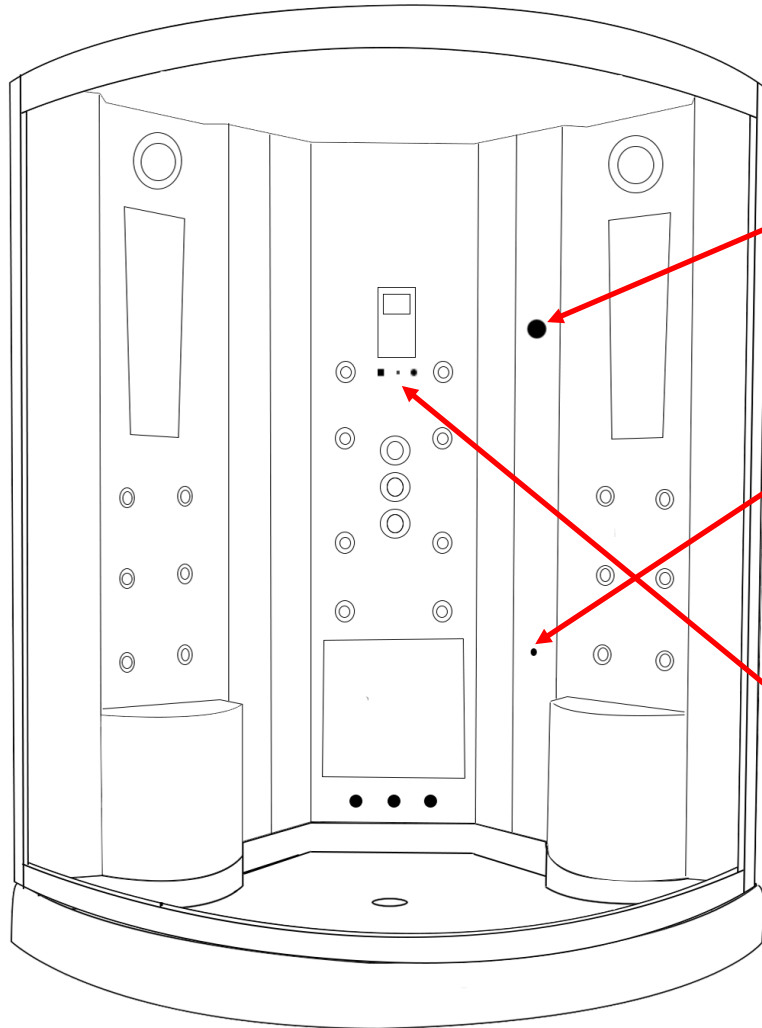
Push the magnetic door seal on the handle side of the glass door ensuring this is tightly fitted.



### Door Seals

Place the rear door seals on the outer edge of each of the front glass panels as shown on the image on the left hand side.

## Accessory Installation



### Hand Shower

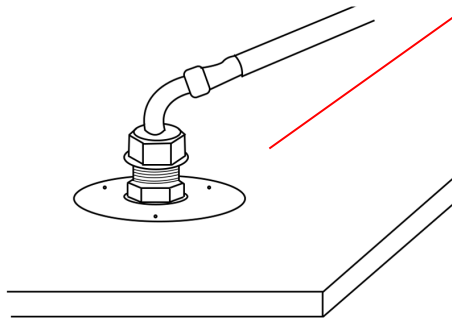
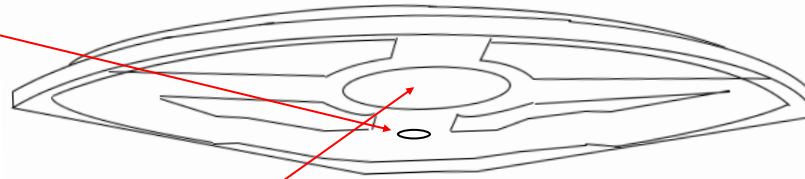
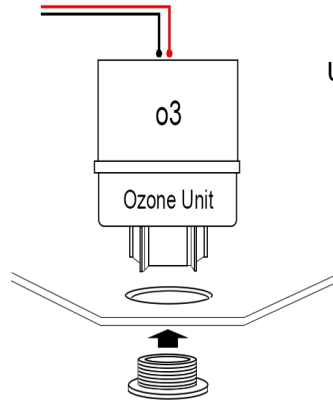
1. Attach the chrome holder to the back wall via the 2 screws provided in the pack.
2. Attach the chrome water outlet to the back of the centre column, fixing it from the rear with the plastic hex nut.
3. Attach the chrome flexible hose to the water outlet with via small coupling end.
4. Attach the other end (sleeved) to the hand shower and place in to the holder.

**NOTE:** If you attach the wrong end of the hose to the hand shower it will not sit in the holder.

Please see your AMI system installation guide for further details

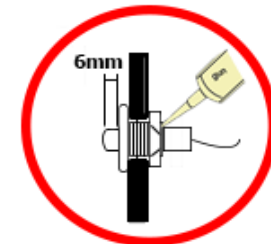
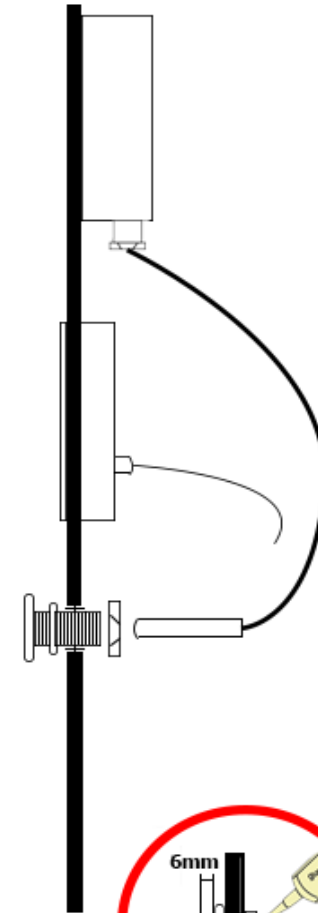
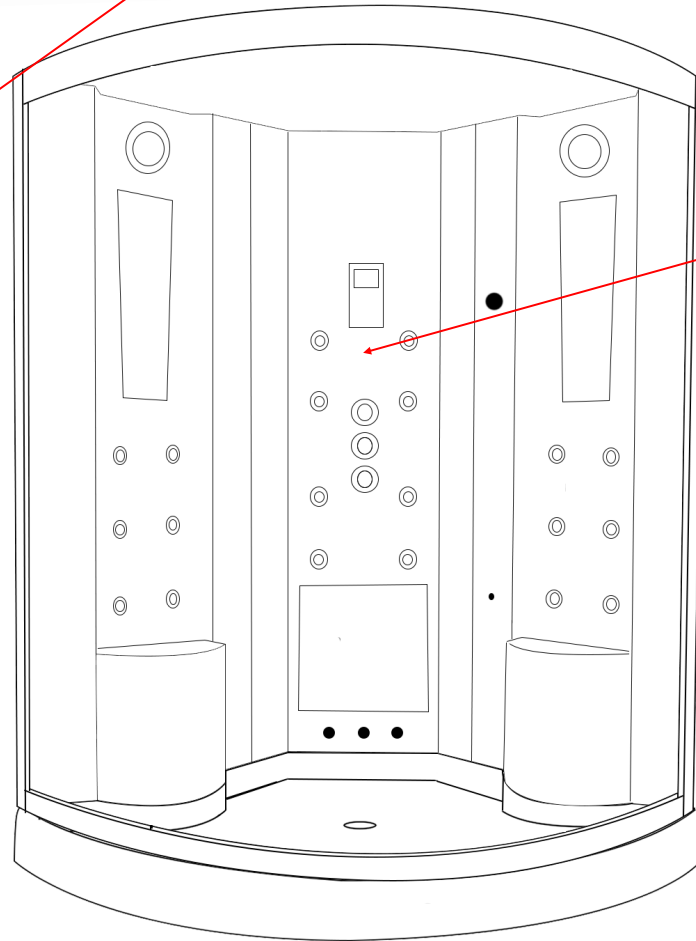
### Ozone (o3)

Unscrew the chrome pepper pot end and drop the white box upside down into the rear hole as shown in the image. Now from the inside of the shower re-attach the chrome pepper pot end and tighten.



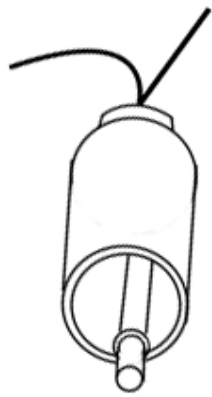
### Monsoon Head

Screw the threaded tube in to the top of the monsoon shower head and pass it up through the light diffuser and through the hole in the shower roof. Secure in to position with the hex nut. Next Attach the grey hose from your shower valve to the threaded tube using PTFE tape (please note this only needs to be hand tight. Over tightening will snap/damage the tube)

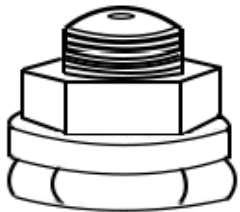


### Thermostatic Probe

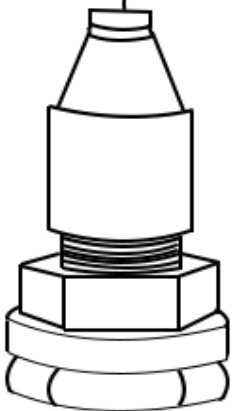
Insert the probe into the hole situated below the control panel roughly 6mm into the cabin and run clear silicone around the rear side of the probe



1. Insert Lights



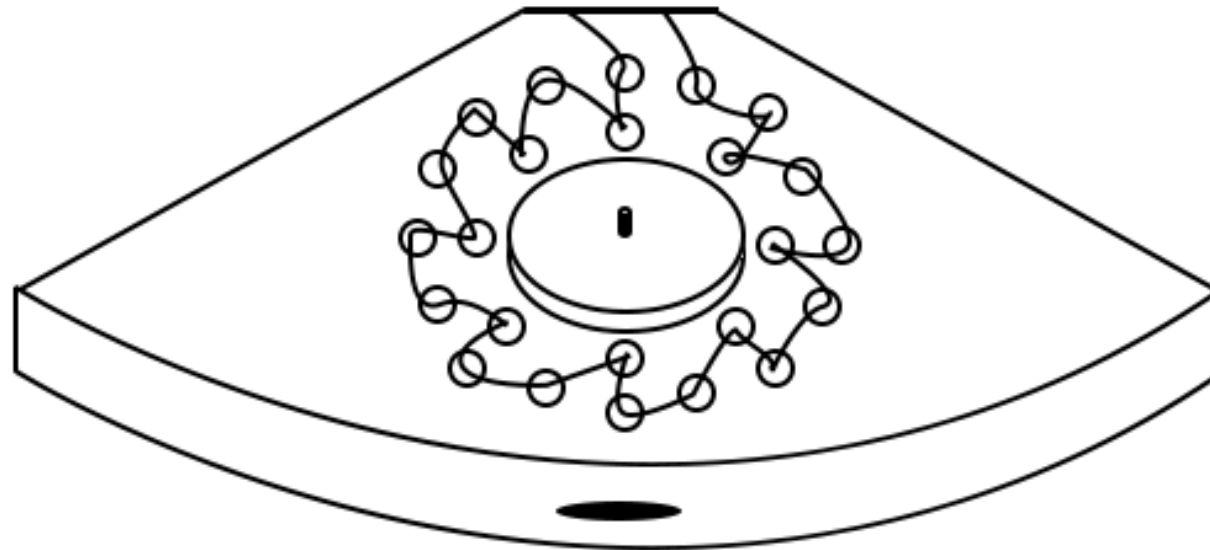
2. Tighten Nuts



### Roof Lights

The roof lights come packed in with your accessories and need to be inserted on site. On top of the roof there are 24 nuts, which simply need tightening by hand. Once this is done, the lights simply push onto the fitting. Start on one side with the light closest to the middle as shown below. Follow the lights around and finish back where you started so you can complete the circuit.

**Please Note:** When connecting the roof LED lights to the electric box, only the male connection is needed, leaving the female connection hidden away under the roof cover.

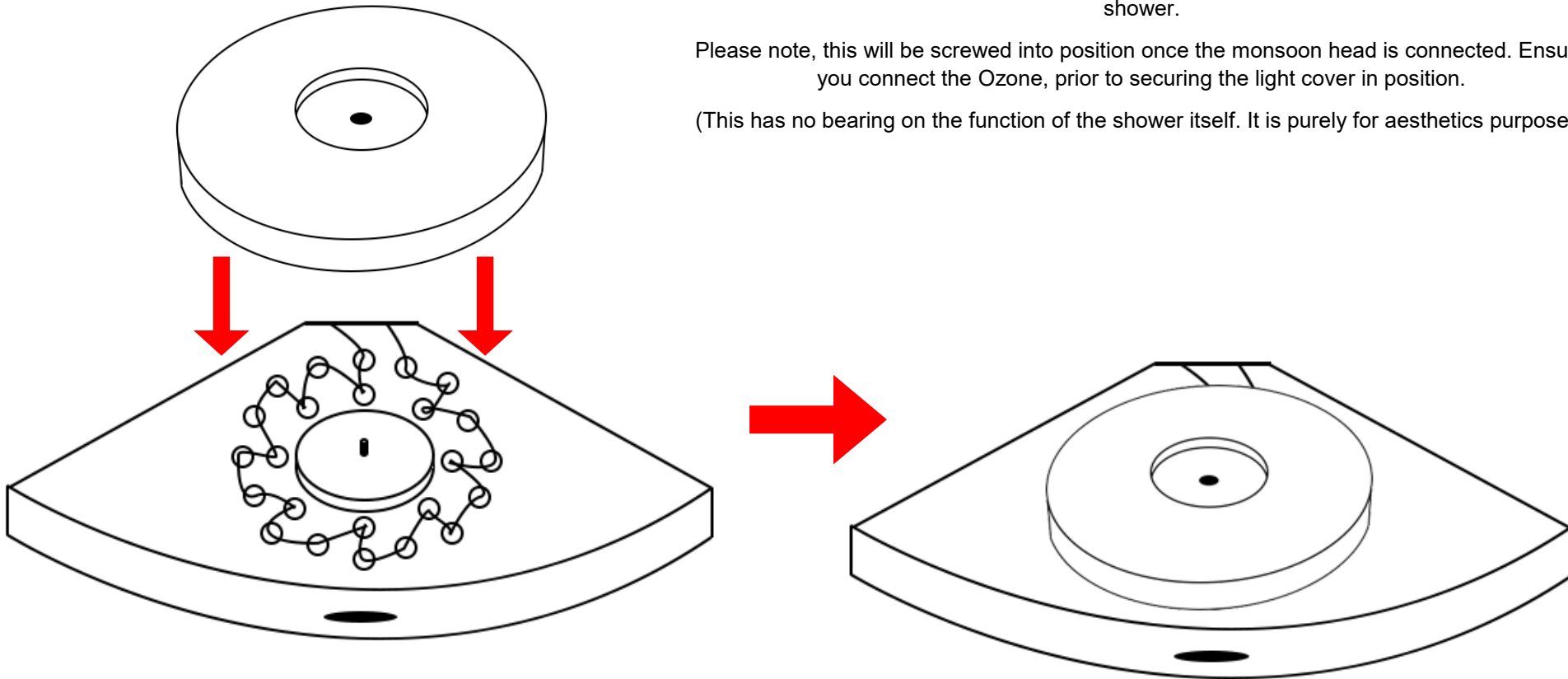


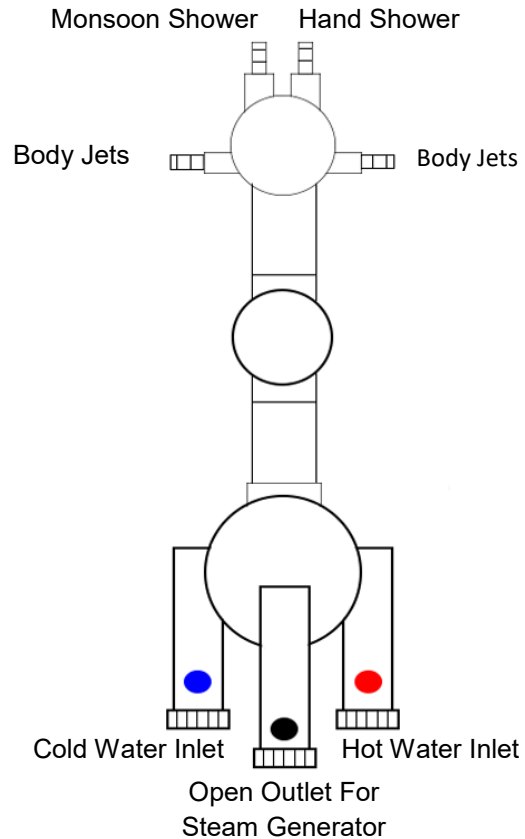
**Roof Cover (if supplied)**

Due to the different coloured light settings this shower model boasts, the wiring is inevitably bigger and more noticeable on top of the shower cabin. Because of this we have a cover that simply slots over the top, secured in place around the thread of the monsoon rain shower.

Please note, this will be screwed into position once the monsoon head is connected. Ensure you connect the Ozone, prior to securing the light cover in position.

(This has no bearing on the function of the shower itself. It is purely for aesthetics purposes)





## Shower Valve

Device output may differ from the image. Please refer to your outer chrome faceplate inside your Insignia shower as a reference point.

IF YOUR DIAL DOES NOT CORRESPOND TO THE APPROPRIATE DEVICE:

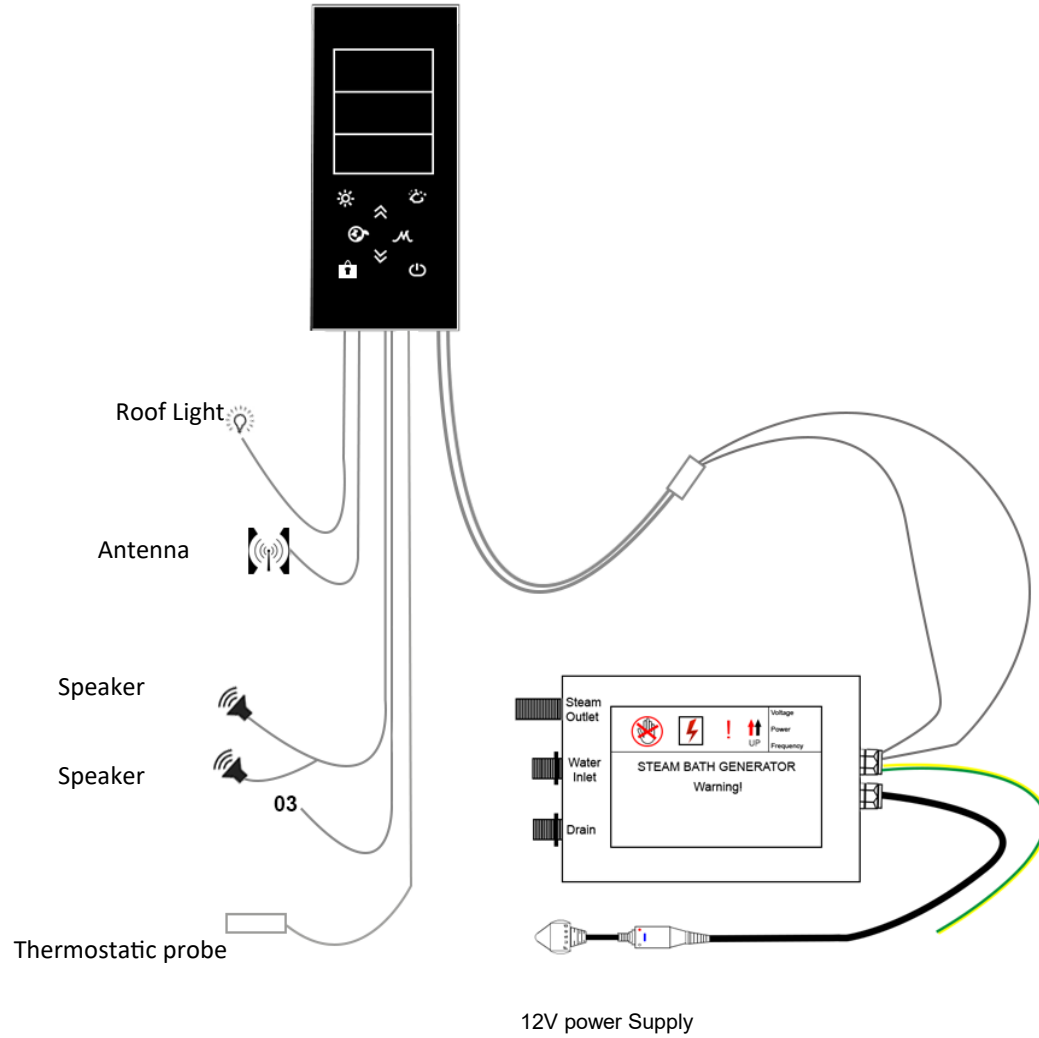
Turn on your water to the shower and note which output the water exits from then turn off the water and swap over the relevant hose.

Alternatively remove the outer chrome knob by removing the chrome cap and loosening the grub screw (please ensure not to unscrew fully as this will drop within the chrome knob) this is found on the opposite side to the chrome pillar. Once you have succeeded in loosening this you can now slide your faceplate to correspond to the device.



# Electric Box Connections

Connect the cables below to the corresponding devices on the shower



## Steam Generator Connections

The steam generator has 3 connections.

**Steam Outlet:** Connect the white insulated hose to the white steam pod within your shower. Make sure these are fitted in the correct position as they are only attached for transportation reasons only.

**Water Inlet:** Connect a braided hose from the shower valve's centre feed to this opening. (Not supplied )

**Drain:** Connect the grey rubber hose from the steam generators drain opening to the nozzle on the shower waste (as shown in the below image)



## Silicone Seal (vertical joints) - RubberGum (horizontal joints)

### TESTING FOR WATER LEAKS

LEAVE THE SHOWER 24 HOURS AFTER BUILD TO ALLOW SEALANT TO CURE AND ENSURE THE SHOWER IS AWAY FROM ITS FINAL POSITION TO ALLOW REAR VIEWING

Ensure all connections are tight and sealed including the waste, body jets and steam outlet (model dependent) on your shower.

Switch on the overhead shower NOT the massage jets, remember these will fire water out at you and are not suitable for checking leaks as they would normally only operate when a person is in front of them. DO NOT AIM THE HAND SHOWER AT THE JOINTS OF YOUR SHOWER AS THIS DOES NOT FALL UNDER "NORMAL EVERYDAY USE". Adjust the feet to ensure the direction of the water flows towards to the waste to prevent puddling.

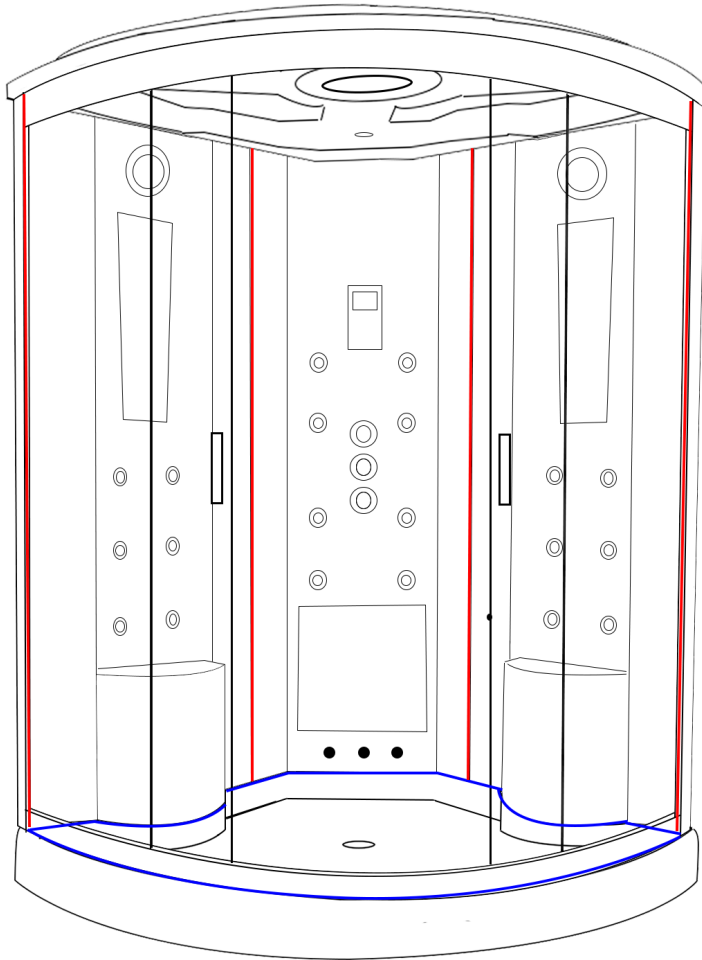
Just use COLD water setting as hot will make cabin misty and condensate thus the inspection becomes very difficult. Now on the OUTSIDE of the shower inspect each joint, factory seal, hose, clip and jet by walking from one side and going around to the back and then to the other side finishing at the front. If you have a small leak (normally caused through insufficient sealer or air bubble on assembly, dry the area thoroughly and reseal.

Please remember the location of the water may not be exactly where the leak is as it could have run around to a low point. Never seal your inner fittings unless necessary, remember you will see this for the life of the shower! Again leave to cure and check. Once you are happy check the shower functions i.e. jets for back massage, foot massage and finally hand shower (model dependent) check your joints to these functions at the rear again. Never use the shower until **all** checks have been made and the installer is 100% happy in the knowledge no leaks are present.

**Important Note:** It is not uncommon due to temperature changes, glass seals fitted into the frame lower horizontal and sides can and do shrink leaving a small gap. This is normal to prevent rubbers perishing or opening later in your showers life. Check yours now, any slight gaps simply seal neatly with a thin bead of silicone. This will prevent chances of leakage both now or later in life.

All good?

Now push your shower FROM THE BASE and NEVER THE GLASS OR FRAME into its final resting position.



*Happy Showering!*

# Control Panel Instructions



## Button 1 (Lights)

Once the control panel is switched on, the lights will come on automatically. Press the Light button once and the lights will start to scroll through the multiple colour options.

Then to stop the lights on a specific colour simply press the light button again on the desired colour.

## Button 2 (Steam)

To start the steam function, simply press the steam button (which looks like a cloud).

Press the “M” button to bring up the temperature setting (in the top corner you will see a temperature symbol). Then use the up and down arrows to change the temperature of your steam.

Continue to press the “M” button again to set the steam timer (to the side you will see “min”) and use the arrows to select your desired time. Finally press the “M” button again to finish setting the timer.

## Button 3 (Up Arrow)

Radio search (higher frequency)

music track (next song)

volume increase.

## Button 4 (Audio select)

To tune your radio channels firstly press the Audio Select button (which looks like a musical note and a Bluetooth symbol).

Then once the radio is on press and hold the “M” button until it starts scrolling.

Finally, once the panel has finished scrolling then use the up and down arrows to cycle through all the radio stations that were found.

To connect a device via Bluetooth, press the music function button twice (which looks like a musical note and a Bluetooth symbol), the control panel will show “INS”.

Then simply go on your device and pair up with the shower which will be named as “INS”.

While your Bluetooth device is connected, use the music function button to pause and resume your music. (further details can be found on the next page)

To see our tutorial videos for operating this control panel’s features, please search for “Insignia Showers” on YouTube and find our “SUN Control Panel” Playlist, or you can [click here](#)

# Control Panel Instructions

## Connecting to Bluetooth



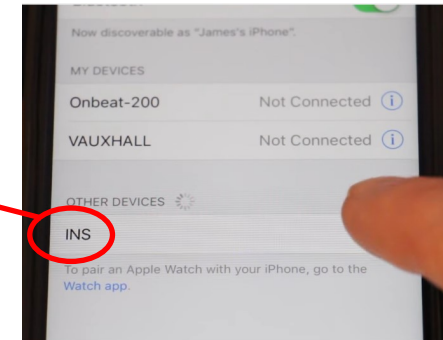
### Step1

To connect a device via Bluetooth, press the music function button twice (which looks like a musical note and a Bluetooth symbol), the control panel will then show "INS".



### Step2

Then simply go on your device and pair up with the shower which should be shown as "INS". Once this is complete you will hear a beep to signify you're connected and ready to listen to any music of your choice.



## Tuning your radio channels



### Step1

To tune your radio channels firstly press the Audio Select button (which looks like a musical note and a Bluetooth symbol)



### Step2

Then once the radio is on press and hold the "M" button until it starts scrolling.



### Step3

Finally, once the panel has finished scrolling then use the up and down arrows to cycle through all the radio stations that were found.

## Control Panel Instructions



To see our tutorial videos for operating this control panel's features, please search for "Insignia Showers" on YouTube and find our "SUN Control Panel" Playlist, or you can [click here](#)

### Button 5 (Mode)

Whilst listening to audio you can change the volume on your control panel by pressing the "M" button.

You will see the volume control represented by a number followed by "db" then use the up and down arrows to change your volume.

Once happy with your volume leave your control panel idle for a few seconds and it will return to its normal screen.

### Button 6 (Unlock)

Press to unlock the panel.

**Please Note:** When the control panel is locked, none of the buttons will work except the unlock key.

### Button 7 (Down Arrow)

Radio search (lower frequency)

music track (previous song)

volume decrease.

### Button 8 (Power Button)

Simply press the power button to switch on your control panel and once more to switch off your control panel.

Once your control panel has been switched off the O3 system will automatically start and you will see "03" on your control panel.

## Need Help?

Then simply download the following "Help" advice booklet found at this link below. This contains many useful items such as is your parts warranty registered, advice on cleaning / servicing your shower cabin, fault finding and many more items. This is a **MUST** to read and not just "HELP". It saves time in nearly all cases, avoiding contact with ourselves as most answers are there for a ready fix!

Simply visit: [www.insigniarange.co.uk/help.aspx](http://www.insigniarange.co.uk/help.aspx)



**INSIGNIA PRODUCTS**  
**HELP I HAVE PROBLEMS AND**  
**NEED ANSWERS NOW!**



**PLEASE KEEP IN SAFE PLACE**

[www.insigniarange.co.uk](http://www.insigniarange.co.uk)

## Parts List

### Internal Items

| Part Code | Part Description                          |
|-----------|---|
| SP074     | Monsoon Shower head                       |
| SP078     | Ozone Module (for Steam Showers)          |
| SP048     | Massage jet—2 open ends                   |
| SP048A    | Massage jet—1 open, 1 closed              |
| SP260     | Shower holder                             |
| SP216     | Shower waste                              |
| SP097     | Chrome rectangular door handles           |
| SP196     | Thermo sensor holder                      |
| SP072     | Door stoppers                             |
| SP008     | Door Wheels                               |
| SP105     | Chrome Flexible Hose                      |
| SP060     | Electrical extension cable                |
| SP036     | Speaker                                   |
| SP228     | Speaker cover                             |
| SP046     | SUN Control panel                         |
| SP227     | Microphone style hand shower              |
| SP166     | Approximately 4 meters of "U Style" seals |
| SP270     | Chromotherapy Lighting                    |
| SP039     | Fan (Model Dependent)                     |
| SP078     | Ozone                                     |
| SP050     | Seat Pad                                  |

### External Items

| Part Code | Part Description                            |
|-----------|---|
| SP302     | White insulated pipe x2                     |
| SP187     | Drain Hose                                  |
| SP040     | steam generator/electric                    |
| SP153     | 4 port—3 feed thermo-static valve           |
| SP126     | 4 Port Selector Cartridge                   |
| SP045     | On/Off Water Mixer Valve                    |
| SP182     | Vernet Screw Fit Thermostatic Cartridge     |
| SP043     | Plastic Thermostatic Valve Safety Lock Ring |
| SP309     | Rear door seal                              |
| SP312     | Magnetic door seals                         |

### Framework

| Part Code  | Part Description       |
|------------|------------------------|
| INS9000-2  | Roof                   |
| INS9000-3  | Column (Blank)         |
| INS9000-11 | Top & Bottom Door Rail |
| INS9000-10 | Bottom Door Rail       |
| INS9000-9  | Top Door Rail          |
| INS9000-1  | Tray                   |
| INS9000RC  | Roof Cover             |

### Glass

| Part Code | Part Description                 |
|-----------|----------------------------------|
| INS9000-4 | Right Backwall (angled piece)    |
| INS9000-7 | Front Fixed Glass                |
| INS9000-8 | Glass Door                       |
| INS9000-5 | Back Wall Left (Rectangle Piece) |



All images are registered with  
ImageTraker

Insignia™ is a registered trademark of Maclean International Ltd

All images are subject to copyright. Images may not be used in any way shape or form with out written permission from Maclean International Ltd. Images are NOT permitted to be saved, printed or uploaded. Violation of copyright laws are punishable by law.