

# HERITAGE<sup>®</sup>

## BATHROOMS

### Installation Instructions and User Guide

### Ryde Dual Control Exposed Mini Valve with Top & Bottom Outlet

#### **Models Covered:**

SLC05 (Chrome) - SLA05 (Gold)

SLC06 (Chrome) - SLA06 (Gold)

Please keep this booklet for future reference.

Installer, when you have read these instructions please ensure you leave them with the user.



# Contents

Important Safety Information	2
General Information	3
Product Features	4
Dimensions	4
Specifications	5
Pack Contents	6
Installation Requirements	7-10
Flow Regulators	11-12
Prior to Installation	13
Installation	14-15
Operation	16
Commissioning	17
Maintenance	18-19
Map of Hard Water Regions	20
Troubleshooting	21-22
Notes	23-24
Guarantee	25-26





## Important Safety Information

- Please read these instructions thoroughly and retain for future use.
- All products manufactured and supplied by Heritage are safe provided they are installed, used correctly and receive regular maintenance in accordance with these instructions.
- **If you are in any doubt about your ability to install this product safely you must employ the services of an experienced qualified plumber.**
- Do not use if the showerhead or shower hose has been damaged or is blocked.
- Do not crush or kink the shower hose, this could damage the hose and cause leaks.
- Remove all packaging and check the components for damage before starting installation.
-  **Warning:** Before starting any installation please consider the following: Prior to drilling into walls, check that there are no hidden electrical wires, cables or water supply pipes. This can be checked with the aid of an electronic detector.
- If power tools are used do not forget to:
  - Wear eye protection
  - Unplug equipment after use
- The fitting of isolating valves is required as close as is practical to the supply inlet feeds of the thermostatic mixing valve.
-  **Warning:** Before installing the new shower valve it is essential that you thoroughly flush through the pipework in order to remove any remaining swarf, solder, etc. Failure to carry out this procedure could cause problems or damage to the workings of the shower valve.
- This product **must not** be modified in any way as this will invalidate the guarantee.



## General Information

This product has been tested to comply with the BS EN 1287:1999 (LP) and BS EN 1111:1999 (HP) thermostatic mixing valve standards.

BS6700 recommends the temperature of stored water should never exceed 65°C. A stored water temperature of 60°C is considered sufficient to meet all normal requirements and will minimise the build up of lime scale in hard water areas (see Map of Hard Water Regions in England & Wales on page 23).

If the fitting is installed at low pressure (tank fed), then the minimum distance from the highest installed position of the showerhead to the underside of the cold tank should be at least 1 metre to ensure adequate performance.

**Note:** Nominally equal (balanced) inlet supply pressures are recommended for optimum performance with mixer showers.

This shower valve should be installed in compliance with the Water Supply (Water Fittings) Regulations 1999 and the Scottish Byelaws 2004.

If in doubt, contact a registered plumber or your Local Water Authority or the Secretary of The Institute of Plumbing, address as follows;-

The Institute of Plumbing,  
64 Station Lane,  
Hornchurch,  
Essex, RM12 6NB  
Tel: 01708 472791

Recommended Usage			
Domestic	✓	Heavy Commercial	X
Light Commercial	✓	Health Care	X





## Product Features

### 1. On/Off Control

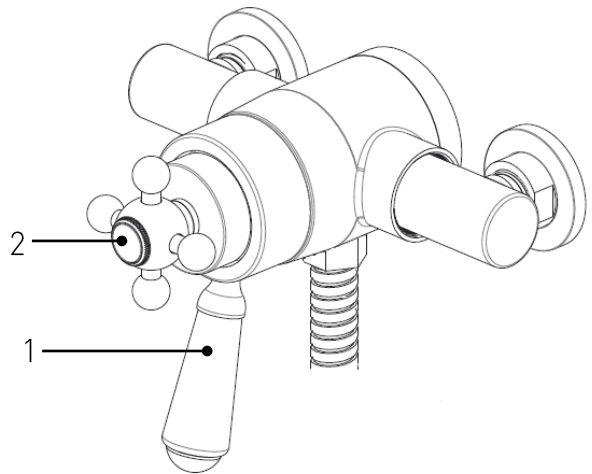
Turn the control anti-clockwise to turn the shower on and increase the flow of water.

Turn the control clockwise to decrease the flow of water and turn the shower off.

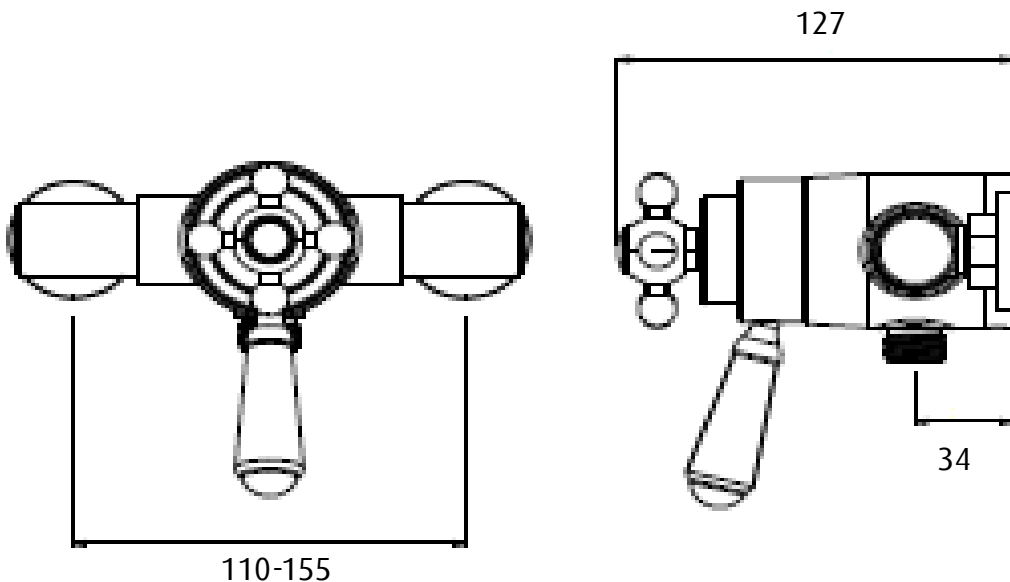
### 2. Temperature Control

Turn the control anti-clockwise to increase the temperature.

Turn the control clockwise to decrease the temperature.



## Dimensions



## Specifications

**Inlet Connections:** 15mm compression, with adjustable centres.

**Operating Pressure Range:** Min: 0.1 bar – Max: 5.0 bar – Maximum recommended imbalance between hot and cold supply should not exceed a ratio of 5:1.

**Maximum Static Pressure:** 10.0 bar

**Maximum Outlet Temperature:** Factory pre-set to 41°C (can be re-set to suit site conditions).

### **Supply Requirements:**

Minimum cold water supply temperature: 5°C.

Maximum cold water supply temperature: 25°C.

Maximum hot water supply temperature: 80°C.

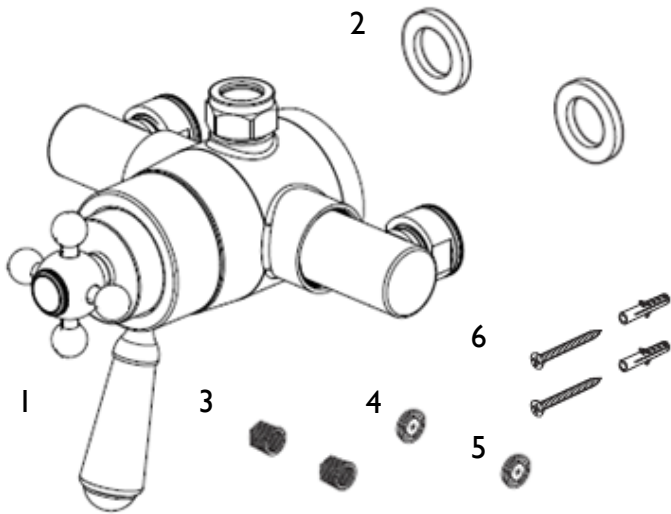
(a maximum hot water supply temperature of 60 – 65°C is recommended for ablutionary purposes).

**Note:** The inlet hot water temperature must be at least 10°C above the required blend temperature (e.g. shower temperature 43°C: minimum hot supply 53°C).



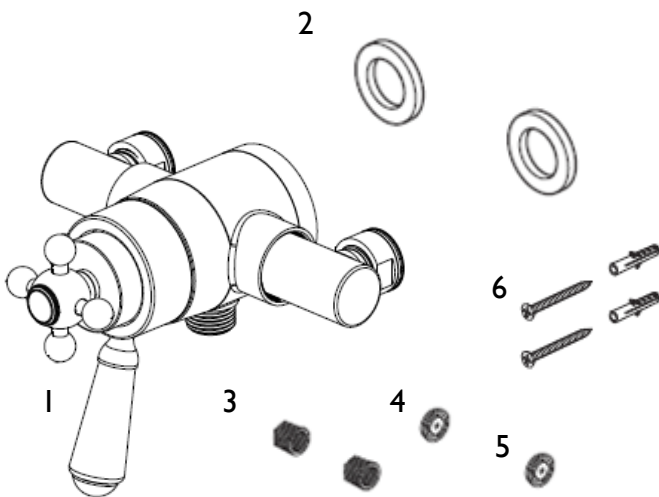


## Pack Contents: SLC05/SLA05



- 1 Shower Valve
- 2 Covers x2
- 3 Filters x2 (pre-fitted)
- 4 Green flow regulator (Pre-fitted)
- 5 Yellow flow regulator (Pre-fitted)
- 6 Backplate fixings x2

## Pack Contents: SLC06/SLA06



- 1 Shower Valve
- 2 Covers x2
- 3 Filters x2 (pre-fitted)
- 4 Green flow regulator (Pre-fitted)
- 5 Yellow flow regulator (Pre-fitted)
- 6 Backplate fixings x2



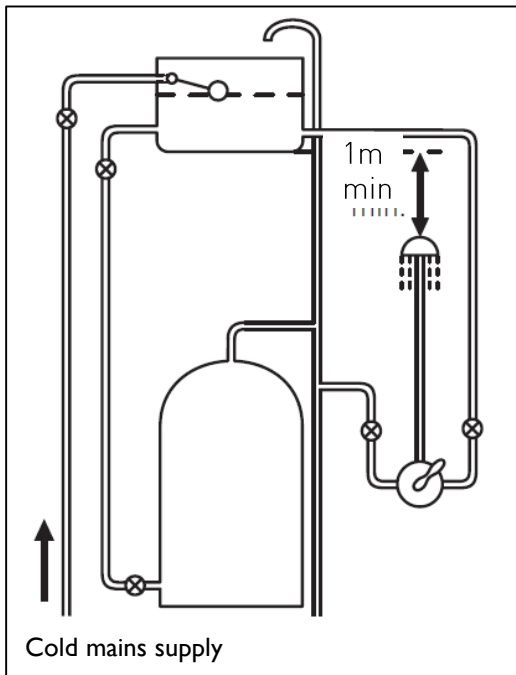
## Installation Requirements

This shower valve must be installed in compliance with current water regulations. If you have any doubts about the water regulation requirements contact your local water services provider or use the services of a professional plumber.

This shower valve is suitable for use with the following water supply systems.

- **Gravity Fed Hot and Cold** (pressure Balanced)
- **Gravity Fed Hot and Mains Cold** (differential pressure – see Specification section on page 6.
- **Instantaneous Water Heater** (combination boiler)
- **Unvented System**
- **Pumped System**

### Gravity Fed Hot and Cold



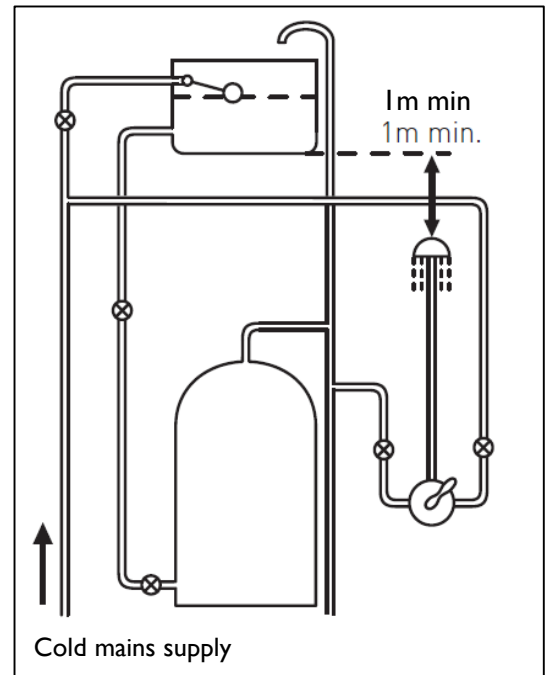
**⚠ Important:** If you install this shower valve with a gravity fed system, there must be a minimum head (vertical distance) from the underside of the cold water storage tank to the showerhead position of at least 1 metre.

**Note: Pumped system (with Essex flange)** If you install this shower valve to a pumped gravity fed system where the minimum head (vertical distance) from the underside of the cold water storage tank to the top of the hot water cylinder is less than 1 metre we recommend an Essex flange is used as shown on page 11.

### Flushing Pipework

**⚠ Important:** Before connecting the shower valve (see Installation on pages 17-18), supply pipework **must** be flushed to clear debris before connecting the shower valve. Debris will reduce the performance and life of the shower.

### Gravity Fed Hot and Mains Cold

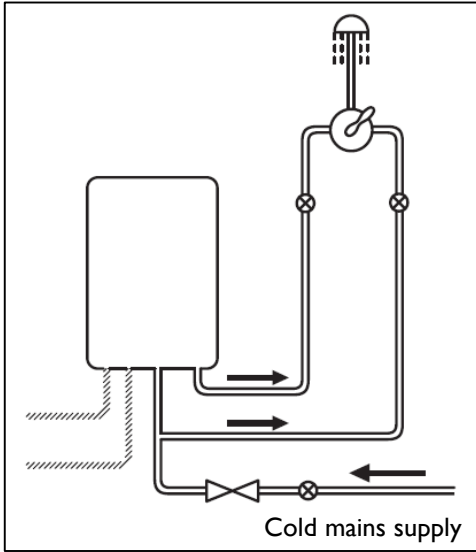




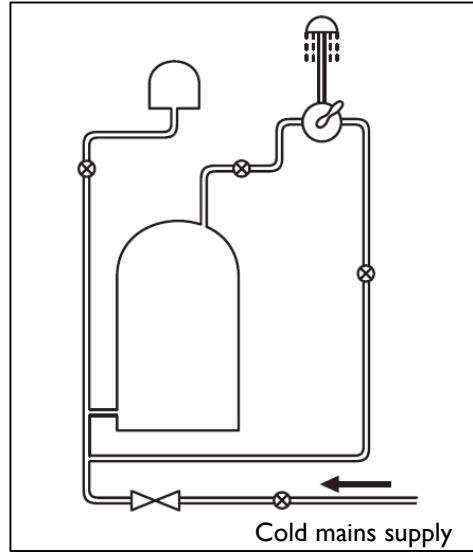


# Installation Requirements

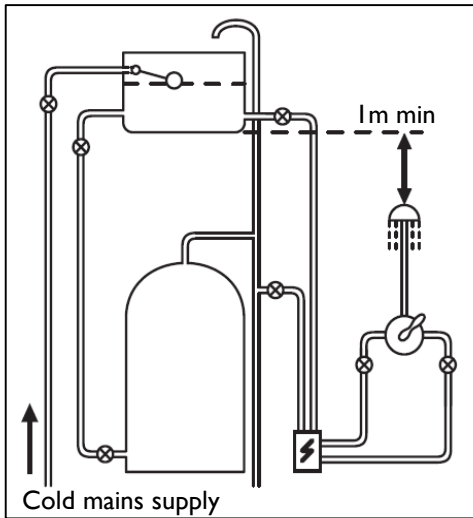
### Instantaneous Water Heater



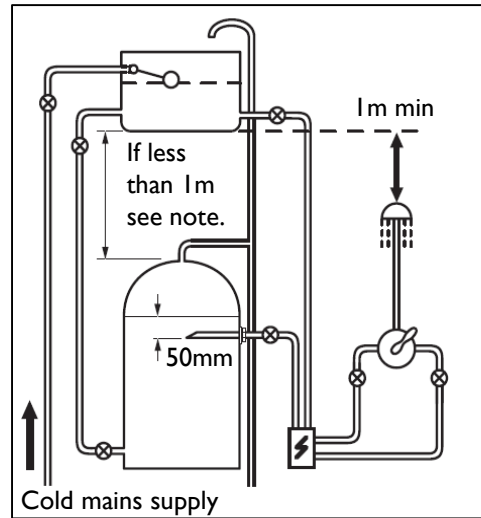
### Unvented System



### Pumped System



### Pumped System (with Essex flange)



- Key:**  Isolating Valve  Reducing Valve  Shower Valve  Pump  Essex Flange



## Installation Requirements

These fittings need to be installed in accordance with the following Installation Requirements and Notes (IRN) to ensure they meet the requirements of the Water Supply (Water Fittings) Regulations 1999 and the Scottish Byelaws 2004.

**IRN R001:** See text of entry for Installation Requirements or Notes.

**IRN R040 - Schedule 2-15 (1):** The fitting shall be installed so that its outlet discharges above the spill-over level of any fixed appliance as indicated below:-

### For backflow protection in domestic or installations up to, and including, Fluid Category 3.

If the fitting cannot be installed as indicated in the table opposite it shall be installed as either **a** or **b** below:

**a:** with an approved double check valve assembly or some other no less effective backflow prevention device immediately upstream of the inlet.

**b:** so that it draws water by gravity only from a cistern, or cylinder having a permanently open vent pipe, and the distributing pipe supplies no other fitting (other than draining tap) at a lower level.

### For backflow protection in premises or installations up to, and including Fluid Category 5.

The vertical distance of the outlet above the spill-over level shall be not less than 20mm or twice the diameter of the inlet pipe to the fitting, whichever is the greater. If the fitting cannot be installed as indicated it shall be installed with a backflow prevention arrangement suitable for the Fluid Category.

Size of tap or combination fitting.	Vertical distance of outlet above spill-over level.
1. Not exceeding 1/2 in	20mm
2. Exceeding 1/2 in but not exceeding 3/4 in	25mm
3. Exceeding 3/4 in	70mm





## Installation Requirements

### Conditions of use for Type 2 (Thermostatic mixer) valves

	High Pressure	Low Pressure
Maximum Static Pressure (Bar)	10	10
Flow Pressure, Hot & Cold (Bar)	0.5 to 5	0.1 to 1.0
Hot Supply Temperature (°C)	55 to 65	55 to 65
Cold Supply Temperature (°C)	Equal to or less than 25	Equal to or less than 25

**Note:** Valves operating outside these conditions cannot be guaranteed by the Scheme to operate as Type 2 valves.

If a water supply is fed by gravity then the supply pressure should be verified to ensure the conditions of use are appropriate for the valve.

### Recommended Outlet temperatures


We recommend the following set maximum mixed water outlet temperatures for use in all premises:

41°C for showers;

**The mixed water temperatures must never exceed 46°C.**

The maximum mixed water temperature can be 2°C above the recommended maximum set outlet temperatures.

**Note:** 46°C is the maximum mixed water temperature from the bath tap. The maximum temperature takes account of the allowable temperature tolerances inherent in thermostatic mixing valves and temperature losses in metal baths.

 **Warning: It is not a safe bathing temperature for adults or children.**

The British Burns Association recommends 37 to 37.5°C as a comfortable bathing temperature for children. In premises covered by the Care Standards Act 2000, the maximum mixed water outlet temperature is 43°C.

The thermostatic mixing valve (TMV) will be installed in such a position that maintenance of the TMV and its valves and the commissioning and testing of the TMV can be undertaken.

The fitting of isolation valves is required as close as is practical to the water supply inlets of the thermostatic mixing valve.



# Flow Regulators

## Selecting Flow Regulators

Supply System		Flow Regulator		
Cold Supply	Hot Supply	Cold	Hot	Comments
0.1 to 1.0bar	0.1 to 1.0bar	No	No	Maximum pressure loss ratio 5:1
1 to 5 bar or pumped	1 to 5 bar or pumped	Green (7 litre)	Yellow (5 litre)	♦ Use arrangement for pumped system
Mains 1.0 – 10 bar	Gravity 0.1 to 0.5 bar	Green (7 litre)	No	
	Gravity Above 0.5 bar	Green (7 litre)	Yellow (5 litre)	
	Unvented Mains / Mains Pressurised			
	Instantaneous Water Gas Heater	Green (7 litre)	*Yellow (5 litre)	
	**Instantaneous Water Electric Heater	Yellow (5 litre)	No	
	Any vented (open outlet) Heater Gas / Electric, e.g. Electric Shower	<b>Do not use with a mixer valve – This would be extremely dangerous</b>		





## Flow Regulators

◆ Regulators can be fitted if water economy is required.

\* Yellow (5 litre) regulator may not be necessary on some gas water heaters.

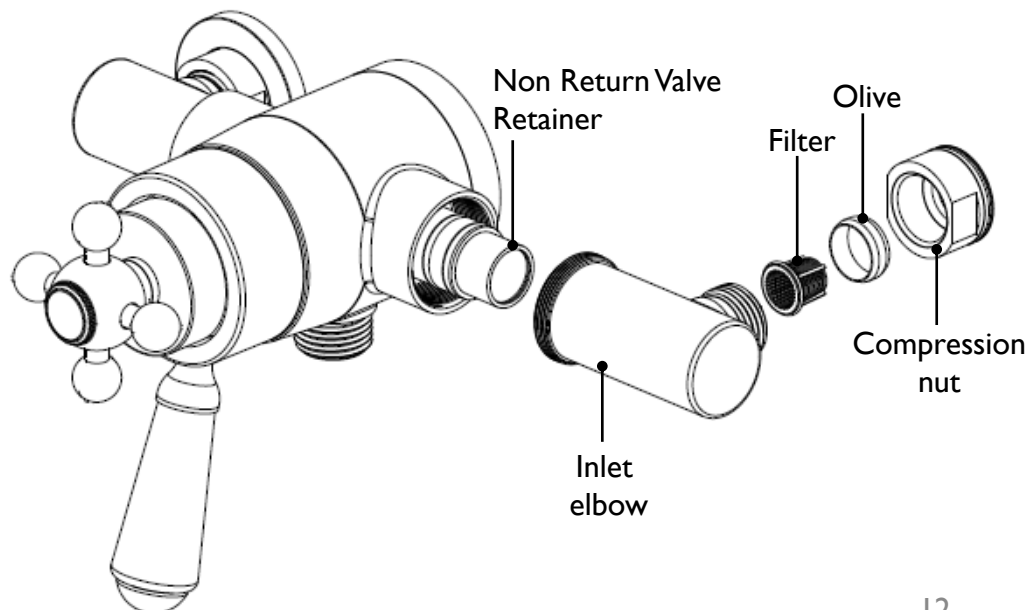
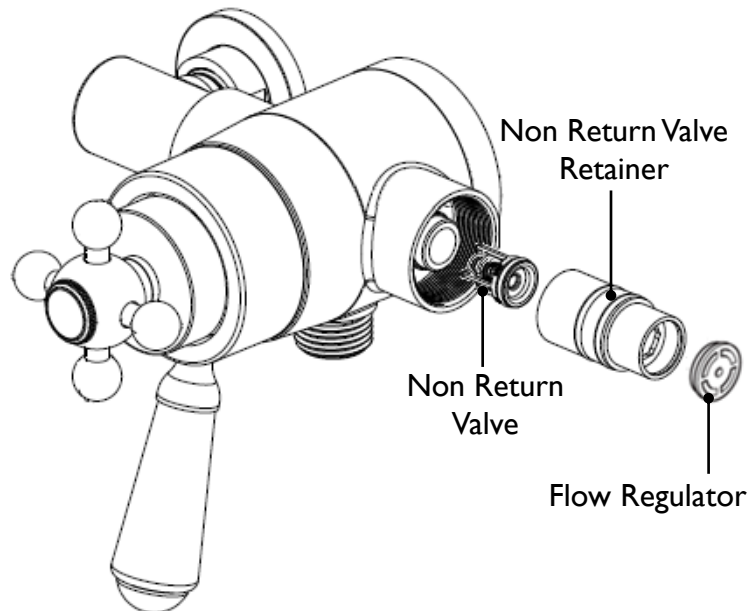
\*\* ⚠ **Important:** It is a requirement of Instantaneous Electric Heaters that a stable flow of water passes through the heater. This requirement can be satisfied by using a 'flow stabiliser' fitted prior to the heater. This requirement can be satisfied by using a 'flow stabiliser' fitted prior to the heater and should be adjusted to give a temperature of between 45 – 50°C from the heater.

Flow regulators are factory fitted.

Study the table on the previous page and decide which flow regulators are required for your particular situation.

Unscrew both inlet elbows from the valve body and remove flow regulator/s using long nose pliers from the non return valve retainer.

Screw inlet elbows back into the valve body.



## Prior to Installation

This shower valve is supplied with two small and two large elbows to give varying centres.

**Note:** The shower valve is supplied with the small elbows fitted.

### Choose elbow configuration to suit Inlet centres

2 x small elbows – 110-130 centres

2 x large elbows – 136-155

1 small elbow / 1 large elbow – 125-145

All measurements are in millimetres.

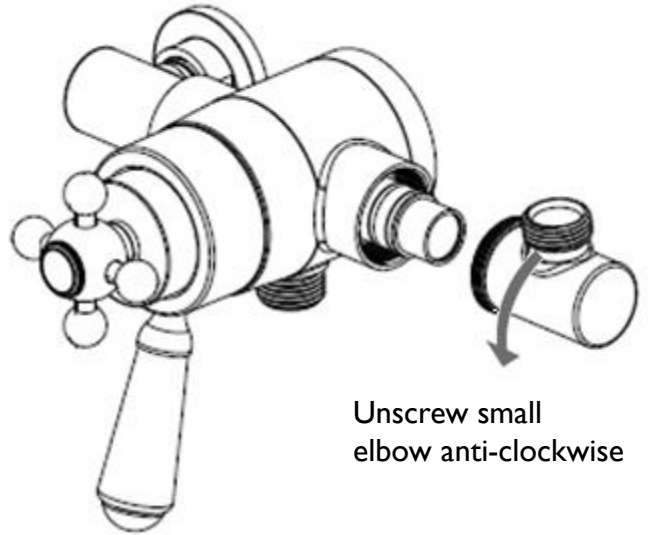
### To remove the elbows

To remove the elbows from the body unscrew anti-clockwise.

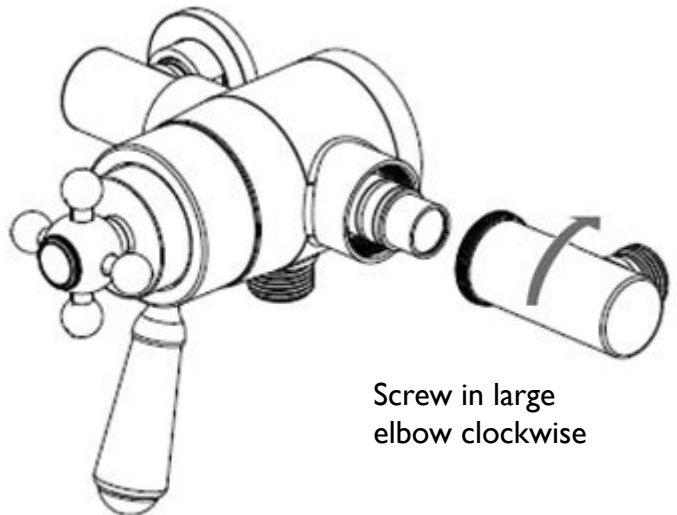
### To fit large elbows

Screw the large elbows clockwise into the valve body.

**Important:** The elbows must have at least two complete turns in the valve body.



Unscrew small elbow anti-clockwise



Screw in large elbow clockwise





## Installation – Shower Valve

### Before Installation

Flush through the pipework to ensure removal of debris. Turn off the mains water supply and close any isolating valves.

### 1. Inlet positions

The shower valve has three inlet positions – top, bottom and rear. Rotate the inlet elbows as required.

With the elbows screwed fully against the valve body it can be unscrewed a maximum of 1.5 turns to allow for lateral tolerance.

Sufficient 15mm diameter supply pipes should protrude through the finished wall surface to fit fully into the shower valve elbows.

### 2. Attach backplate to wall

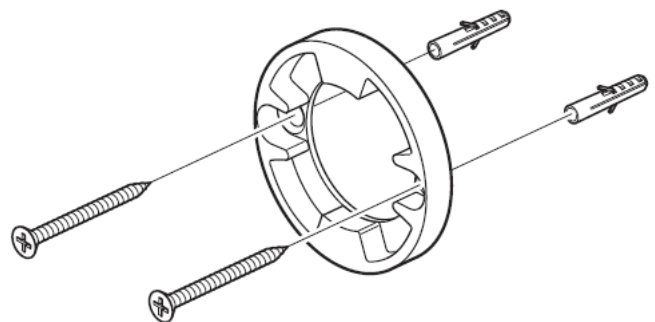
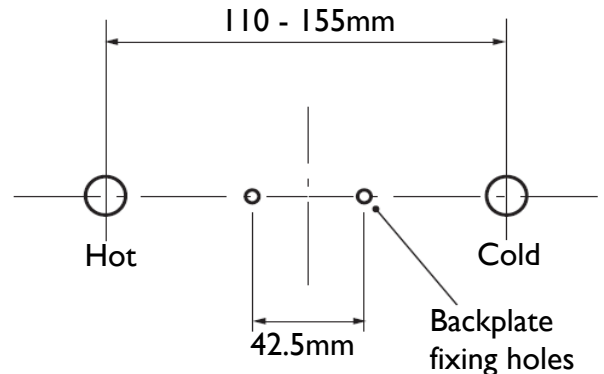
Loosen the 'backplate' grub screw on the Back of the valve using the hexagonal key. Use the backplate as a template and mark the centres of the fixing holes onto the wall.



**Warning:** Please check for any hidden pipes and cables before drilling holes in the wall.

Drill suitable holes and insert the wall plugs. Securely attach the backplate to the wall using the screws provided.

**Important:** Water supplies to the mixer must be with hot on the left and cold on the right when viewed from the front.



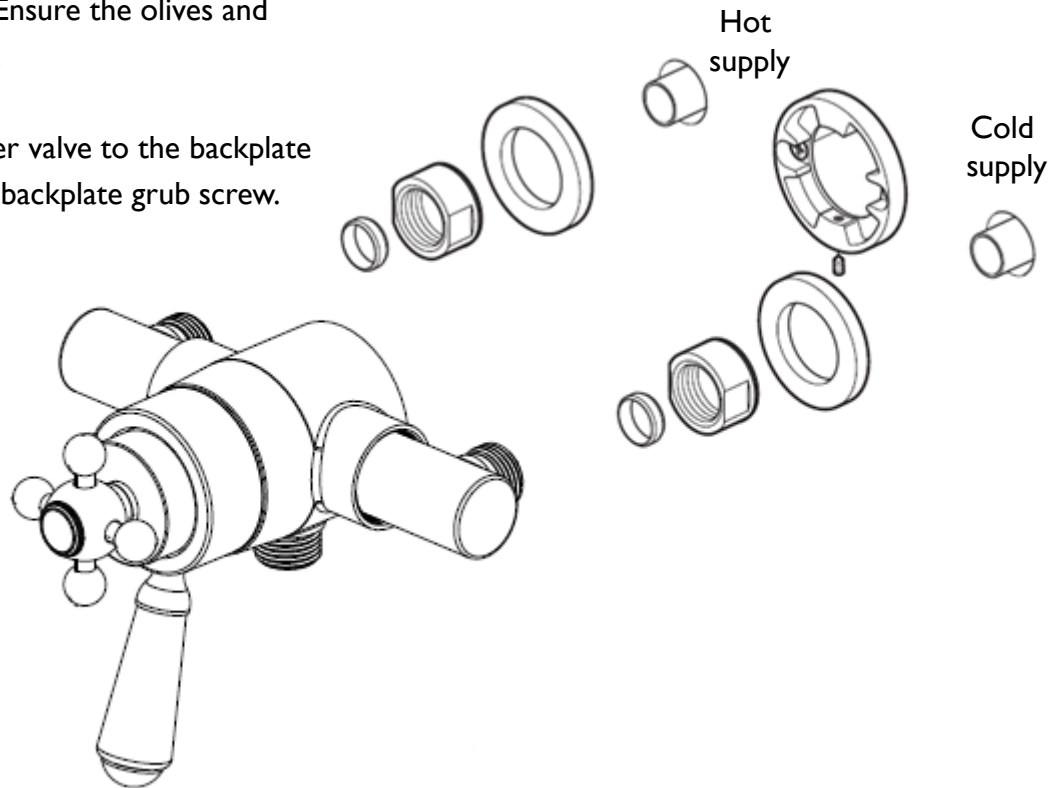
## Installation – Shower Valve Cont.

### 3. Attach shower valve

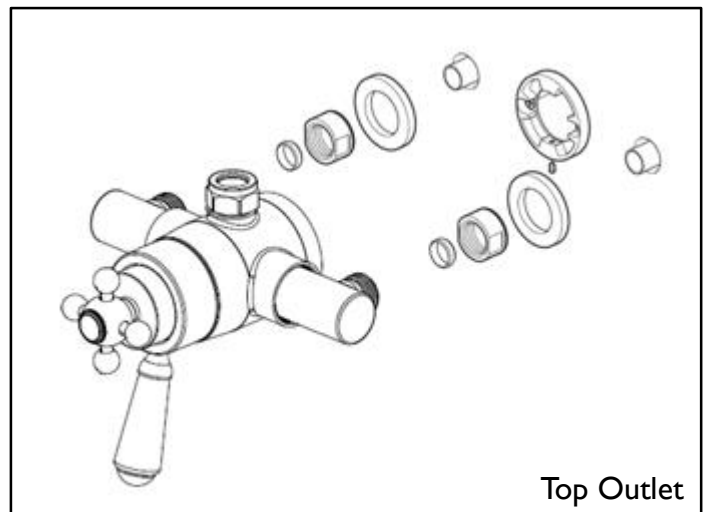
Place the shrouds over the water supply pipes. Insert the 15mm hot and cold water supply pipes into the inlet connections and tighten the nuts. Ensure the olives and filter are in place.

Secure the shower valve to the backplate by tightening the backplate grub screw.

Re-attach the shower valve to the backplate by tightening the grub screw.



**Note:** The shower valve inlet positions are shown at the rear as an example.







## Operation

### On/Off Control

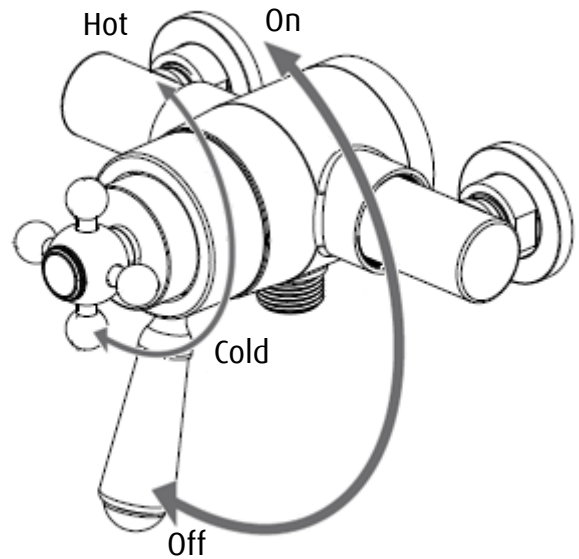
Turn the control anti-clockwise to turn the shower on and increase the flow of water.

Turn the control clockwise to  
Decrease the flow of water and  
Turn the shower off.

### Temperature Control

Turn the control anti-clockwise to increase the temperature.

Turn the control clockwise to  
Decrease the temperature.



## Commissioning

### Commissioning notes for Thermostatic Mixing Valves

**The first step in commissioning a thermostatic mixing valve is to check the following:**

1. The designation of the thermostatic mixing valve matches the intended application.
2. The supply pressures are within the valves operating range.
3. The supply temperatures are within the valves operating range.
4. Isolating valves (and strainers preferred) are provided.

If all these conditions are met, proceed to set the temperature as stipulated in the maintenance section.

**The mixed water temperature at the terminal fitting must never exceed 46°C.**

It is a requirement that all approved valves shall be verified against the original set temperature results once a year. When commissioning / testing is due the following performance checks shall be carried out:

- Measure the mixed water temperature at the outlet.
- Carry out the cold water supply isolation test by isolating the cold water supply to the TMV wait for five seconds, if water is still flowing check that the temperature is below 46°C.

If there is no significant change to the set outlet temperature ( $\pm 2^{\circ}\text{C}$  or less change from the original settings) and the fail-safe shut off is functioning, then the valve is working correctly and no further service work is required.

**Notes:** If there is a residual flow during the commissioning or the annual verification (cold water supply isolation test), then this is acceptable providing the temperature of the water seeping from the valve is no more than  $2^{\circ}\text{C}$  above the designated maximum mixed water outlet temperature setting of the valve.

Temperature readings should be taken at the normal flow rate after allowing for the system to stabilise.

The sensing part of the thermometer probe must be fully submerged in the water that is to be tested.

Any TMV that has been adjusted or serviced must be re-commissioned and re-tested in accordance with the instructions in the maintenance section.

The installation of thermostatic mixing valves must comply with the requirements of the Water Supply (Water Fittings) Regulations 1999.





## Maintenance

### General Cleaning

Your fitting has a high quality finish and should be treated with care to preserve the visible surfaces. All surfaces will wear if not cleaned correctly. The only safe way to clean your mixer is to wipe with a soft damp cloth. Stains can be removed using washing up liquid. All bath cleaning powders and liquids will damage the surface of your fitting, even the non-scratch cleaners.

**Note:** Never use abrasive detergents or disinfectants or those containing alcohol, hydrochloric acid or phosphoric acid.

To ensure continued performance of your shower the showerhead needs to be regularly descaled.

### Cartridge Maintenance

We advise that the shower valve is regularly serviced in hard water areas to maintain the flow of water (see map of Hard Water Regions on page 23).

Isolate both hot and cold water supplies to the shower valve by either:

- Turning the water supply off at the mains stopcock or
  - Turning off the isolation valves to the shower valve
1. Remove the handle: Unscrew the lever, loosen the grub screw using the hexagonal key and carefully pull the handle off.
  2. Unscrew the cartridge anti-clockwise (using a suitable spanner) and remove from the valve body.
  3. Carefully remove the cartridge assembly and spring. Remove all visible 'O' rings and washers from the body.
  4. Place the cartridge in a bowl and carefully add hot water (just off the boil) and vinegar to descale the cartridge. Leave in the solution until the water has cooled and rinse with clean water.
  5. Replace all seals and grease with a silicon grease supplied by Heritage and carefully refit.
  6. Reset the maximum temperature and refit the handle and tighten the grub screw. Screw the lever back into the handle.



## Maintenance Cont.

### Adjusting the Temperature

The shower valve has been factory set with equal (balanced) hot and cold water supply pressures with the hot water supply at 65°C.

If your operating conditions are different from those above, the outlet water temperature may differ from the factory setting.

If required the shower valve can be re-calibrated to suit your own temperature requirements.

Set the temperature control lever to maximum and check the temperature of the water with a thermometer. If the temperature is not correct, re-calibrate the shower valve.

1. Turn the temperature handle anti-clockwise to the maximum temperature position.
2. Remove the controls: remove the indice, loosen the grub screw using the

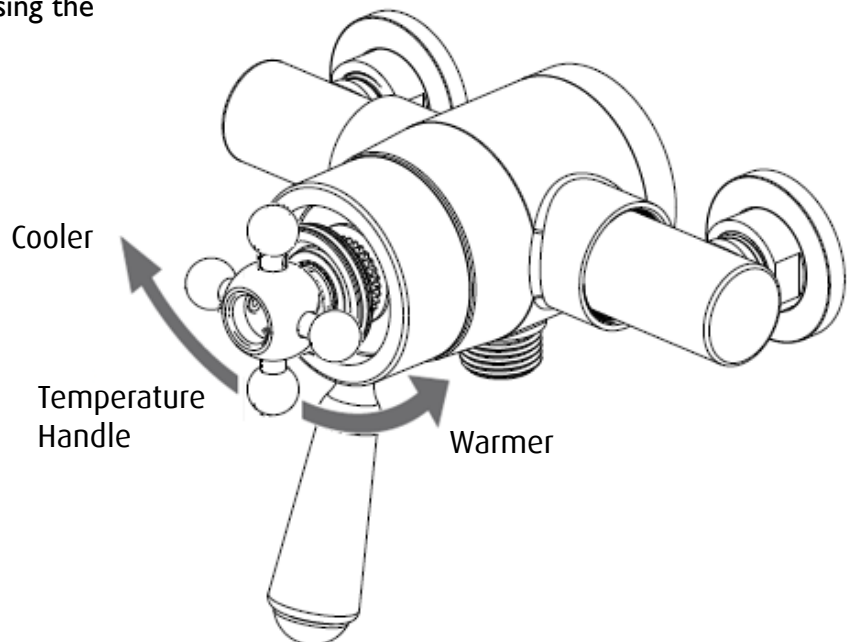
hexagonal key and carefully pull the temperature handle and shroud off.

3. Push the temperature handle back onto the cartridge spindle and turn to increase / decrease the temperature.

- Turn clockwise for a cooler temperature
- Turn anti-clockwise for a warmer temperature

**Note:** This will be the maximum temperature setting, it is recommended that the temperature is set no higher than 43°C.

4. Once the correct temperature is achieved, remove the temperature handle, push the shroud and handle back on. Tighten the grub screw and re-fit the indice.





# Map of Hard Water Regions



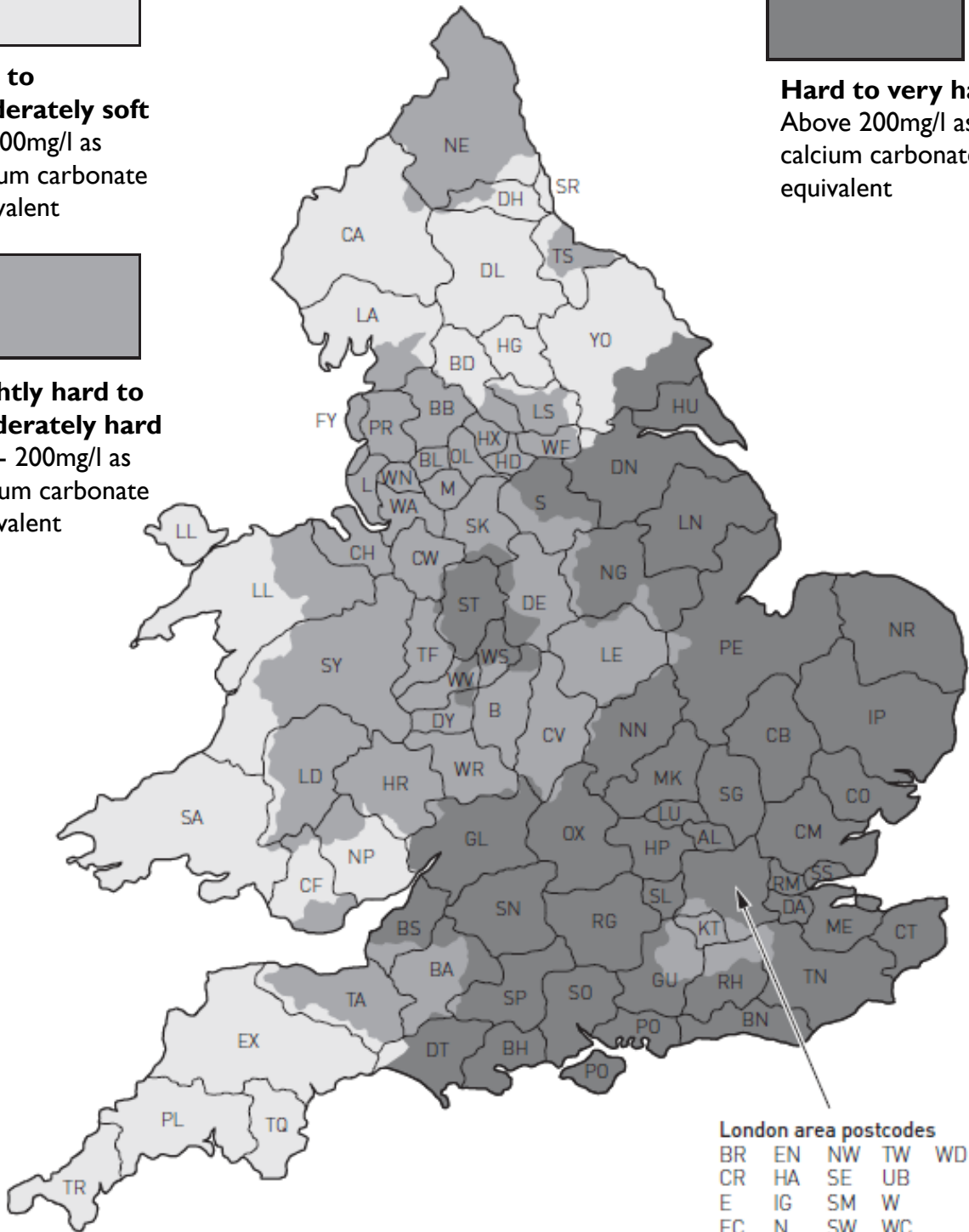
**Soft to moderately soft**  
0 - 100mg/l as calcium carbonate equivalent



**Slightly hard to moderately hard**  
100 - 200mg/l as calcium carbonate equivalent



**Hard to very hard**  
Above 200mg/l as calcium carbonate equivalent



## Troubleshooting

Symptom	Cause	Remedy
No flow or low flow rate and / or varying temperatures.	Check showerhead, hose and filters for any blockage.	Clean as necessary, refer to Maintenance section (pages 18-19).
	Partially closed stop or service valve in water supply pipework to the shower valve.	Open stop or service valve.
	Instantaneous water heater cycles on and off as the flow rate or pressure is too low.	Increase water flow rate or pressure through system. Contact the boiler Manufacturer.
	Head of water is below the minimum distance required.	Raise the cistern or fit a shower booster pump.
	Inlet filter is partially blocked.	Clean or replace, flush through pipework before refitting.
	Hot or cold water is being drawn off elsewhere causing pressure changes or instantaneous boiler temperature changes.	Do not use other water outlets when using the shower.
	Make sure the maintained inlet pressures are nominally balanced and sufficient.	Refer to Installation Requirements section (pages 7-10).
	Airlock or potential blockage of the pipework.	Flush through pipework to ensure removal of debris and any airlocks.
	No hot or cold water reaching the shower valve.	Check hot and cold feeds (the valve will shut down if either the hot or cold supply fails).
Water leaking from showerhead.	This is normal for a short time after turning off.	Adjust the angle of showerhead in holder as necessary to vary draining time.
	Shower control valve failing to close fully, possibly due to water borne debris.	Remove shower control valve assembly and check. Refer to Maintenance section (pages 18-19). Before dismantling shower valve.
	Flow control valve seals damaged.	Check condition of flow control valve and replace as necessary.





## Troubleshooting

Symptom	Cause	Remedy
Maximum water temperature too hot or cold.	Maximum water temperature set incorrectly.	Reset maximum water temperature. Refer to 'Maximum Temperature Setting' in Commissioning section (page 24) and Adjusting the Temperature in Maintenance section (pages 18-19).
Outlet water temperature too hot / cold.	Inlet filter partially blocked.	Check insert filters for any blockages and clean as necessary.
	Installation conditions outside operating parameters.	Refer to Installation Requirements section (pages 7-10). Service shower valve as recommended. Refer to maintenance section (page 18-19). Refer to Adjusting the Temperature section (page 19).
Water temperature too cold – maximum water temperature incorrectly set.	Hot water temperature is less than 10°C above the required blend temperature.	Adjust hot water temperature or wait for water to reheat if stored system is used.
	Instantaneous water heater not igniting because water flow rate is too low.	Increase water flow through the system. Check cartridge inlet filters and clean or replace. Refer to Maintenance section (pages 18-19). Contact the boiler manufacturer.
	Instantaneous water heater not igniting because the water pressure is too low.	Increase water pressure through system. Contact the boiler manufacturer.
Only hot or cold water from shower valve outlet.	Inlet water supplies are reversed (hot to cold supply).	Check the connections are the correct way round. Hot on the left and cold on the right when viewed from the front. Rework pipework as necessary.
	Inlet filter is partially blocked.	Clean or replace, flush through pipework before refitting.



## Notes

Please use this space to add any notes which you or your installer may have regarding the installation and/or servicing of this product.







## Notes

Please use this space to add any notes which you or your installer may have regarding the installation and/or servicing of this product.



## Heritage Bathrooms Guarantee

When you buy a Heritage product, you can be confident that it not only features distinctive design, but that it has also been made to meet our rigorous quality standards.

We offer robust guarantees and an attentive aftercare service to ensure that if you do experience any issues, we can deal with a problem quickly, and effectively.

Please note that guarantees are only valid with proof of purchase.

Our guarantees are as follows:



2 Years on  
Mirrors &  
WC Seats



5 Years on  
Bath Screens,  
Furniture,  
Shower Valves,  
Taps, Wastes  
& Accessories



Lifetime Guarantee  
on Acrylic &  
Cast Iron Baths  
And Sanitaryware

## Register now for additional peace of mind

Register your product with us now and, if you do have any queries after installation, we'll be able to quickly identify the product and give you the best advice. It also means that you won't have to keep your proof of purchase to validate your guarantee. To register, simply go online at [www.heritagebathrooms.com/register](http://www.heritagebathrooms.com/register)

## Guarantee Terms and Conditions

This guarantee is in addition to your statutory and other legal rights and is subject to the following conditions:

- The product was purchased within the United Kingdom or Republic of Ireland
- The product is used in domestic applications only
- The guarantee applies solely to the original purchaser with proof of purchase
- The installation must allow ready access to all products for the purpose of inspection, maintenance or replacement
- Repair under this guarantee does not extend the original expiry date. The guarantee on any replacement parts or product ends at the original expiry date

Any part found to be defective during the guarantee period will be replaced without charge, providing that the product has been installed in accordance with the instructions given in this guide and used as the manufacturer intended. If the product is no longer available, Heritage will endeavour to provide the nearest equivalent.





## Heritage Bathrooms Guarantee Cont.

The guarantee does not cover:

- Damage or defects caused by
  - General wear and tear (including special non-chrome finishes; components such as filters, seals, 'O' rings and washers)
  - Incorrect installation
  - Repair using non-Heritage parts
  - Accidental or wilful misuse
  - Corrosion and the use of inappropriate cleaning products.
  - System debris including the build-up of limescale (which can be controlled through regular servicing and maintenance)
- Compensation for loss of use of the product or consequential loss of any kind.

In the interests of continuous product improvement, Heritage reserves the right to alter product specifications without notice.

### Need help?

In the unlikely event that you encounter a problem with your Heritage product, you must, in the first instance, contact the retailer you purchased it from. They will advise as to whether it is due to a manufacturing fault or an installation fault. If the problem is due to a manufacturing fault, they will contact us to arrange a supply of a replacement product as soon as possible. To speak to a Heritage customer service advisor, please contact our technical helpline on **0844 701 8503**.





Heritage Bathrooms  
Birch Coppice Business Park  
Dordon  
Tamworth  
B78 1SG

Website: [www.heritagebathrooms.com](http://www.heritagebathrooms.com)

Telephone: 0844 701 8503

Email: [technical@heritagebathrooms.com](mailto:technical@heritagebathrooms.com)

HFI (SLC\_A05 SLC\_A06) REV. D2

