

JOINING UNITS

This unit can be joined to other units with furniture fixing bolts (not provided). It is recommended that units are joined before they are fixed to the wall. Clamp the units together using suitable clamps, ensuring they are flush and level with each other. Drill holes through the side of the unit and using the bolts, join units together. Remove clamps and fix the assembly to the wall as required using corner brackets (not supplied).

FITTING HANDLES

- A pilot hole located at the back of the door can be drilled if using a single screw knob.
- If you have chosen a pull handle with 2 screws then please pilot and then drill through the door with the handles in the desired location.
- Carefully drill any holes using a clamped block of wood to protect the front of the door/drawer - See fig. 1.
- Drill the door from the back (Fig. 2) and the drawer from the front (Fig. 3)
- The handles can simply be screwed into place using the screws supplied.
- If you choose third party handles please measure carefully before drilling.

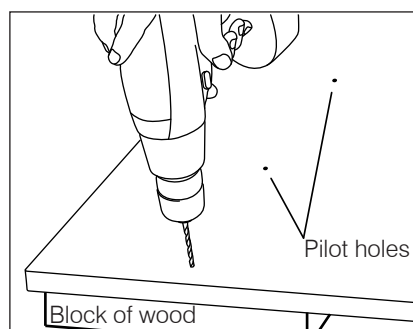


Figure 1

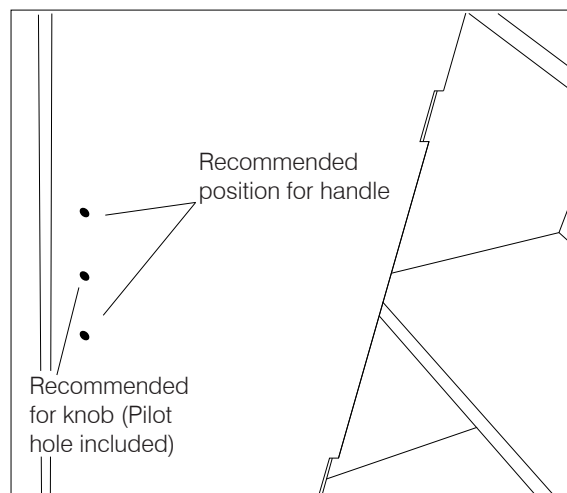


Figure 2

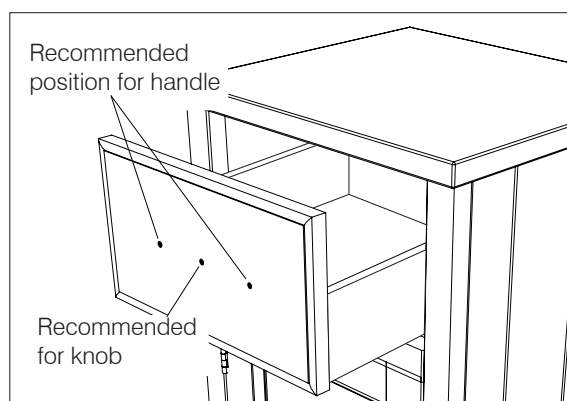


Figure 3

DOOR REVERSING

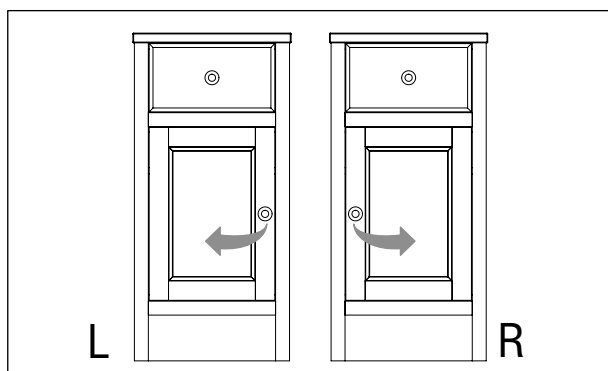


Figure 4

Depending on the intended location of the unit, you have the option of choosing whether you want a left or right hand opening door.

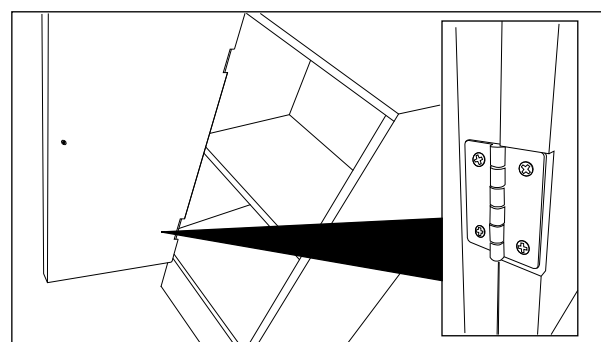


Figure 5

Choose the desired handing and fix hinges to the door and then the carcass

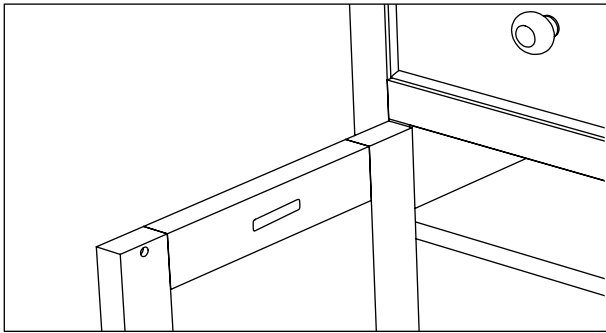


Figure 6

Once the handling has been chosen fix the name plate in place using self adhesive on reverse of plate

DRAWER ADJUSTMENT

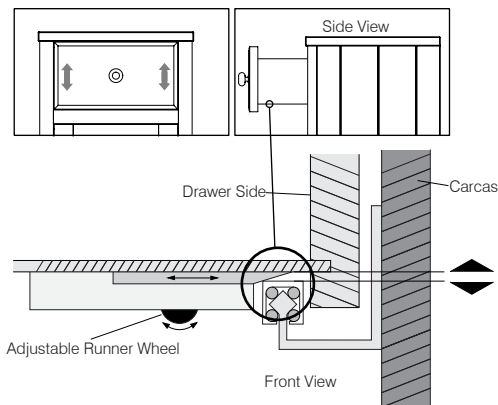


Figure 7

The drawer may require adjustment to ensure alignment. This is achieved with the adjustable runners. They are located at the front on the underside of the drawer. By rotating the wheel indicated in Fig.7 vertical adjustment of the drawer can be made.

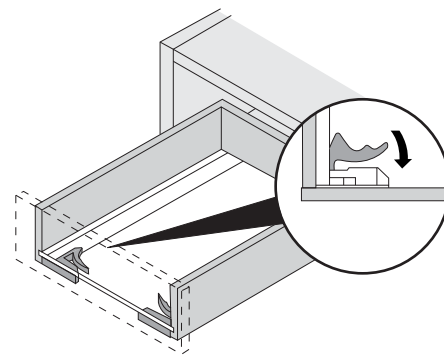


Figure 8

The drawers have a quick release function. The drawer is removed by squeezing the handles on both of the runners and pulling the drawer forward. The quick release handles are located at the front on the underside of the drawer. (see Fig.8)

FURNITURE AFTERCARE INSTRUCTIONS

As with all wooden furniture, this product should be treated with care.

We recommend...	Please DO NOT...
Wipe away any water splashes or condensation after use. Excessive exposure to water will deteriorate the furniture. All bathrooms should be well ventilated with a suitable extractor fan. Clean with a soft damp cloth only. Use a wax free polish if one must be used. For removal of lime scale deposits use a suitable proprietary cleaner. If necessary test on an inconspicuous area first.	Do not scrub or scour Do not use abrasive cleaning agents

Replacement Components

Should you require any replacement components for this product please contact Roper Rhodes using the contact details below.