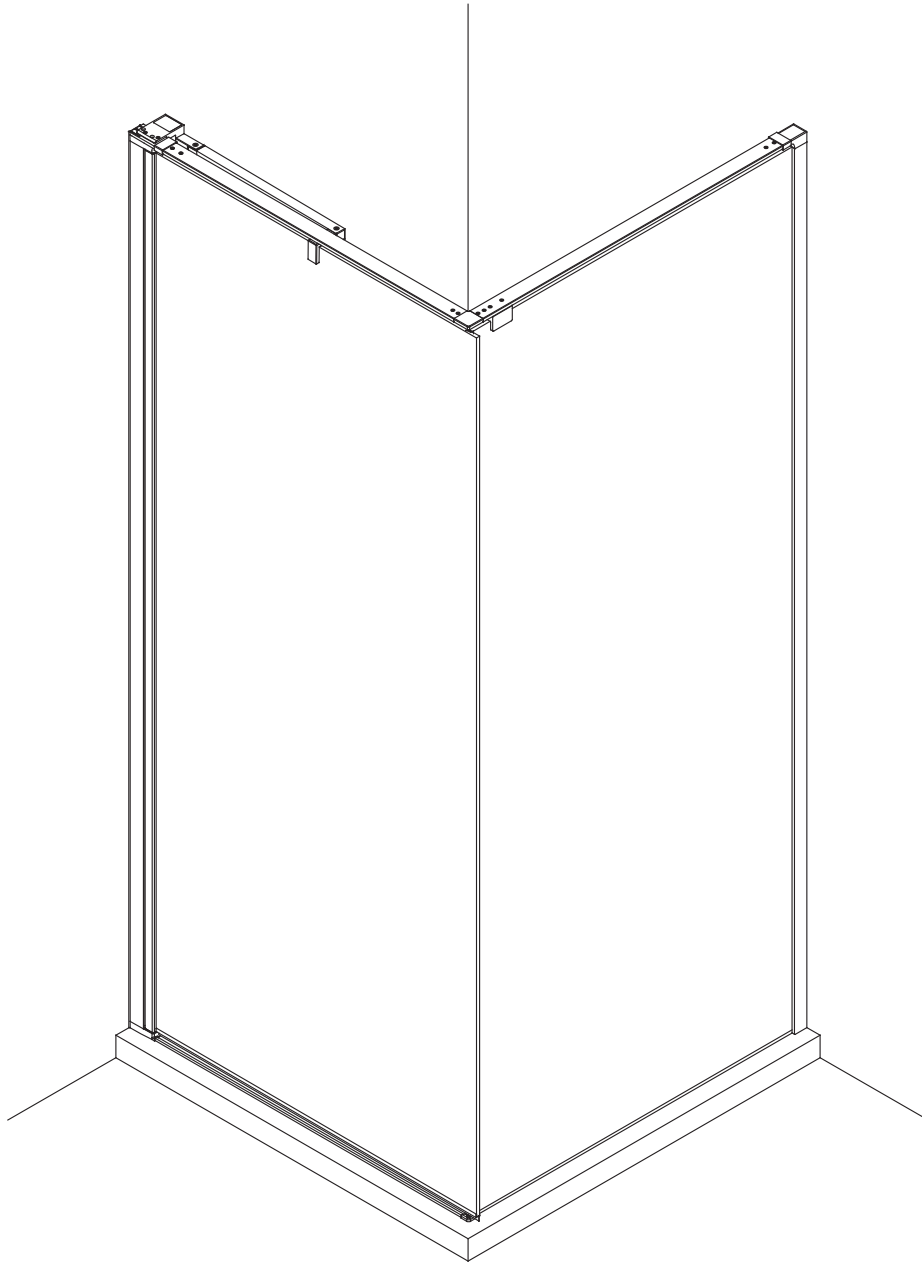


DESIGN+ HUSH MATT BLACK PIVOT DOOR

HPDBC0800
HPDBC0900
HPDBC1000

HSPSB0800
HSPSB0900
HSPSB1000



INSTALLATION INSTRUCTIONS

crosswater[®]
SHOWERING

IMPORTANT - Please read before installation

Please read these instructions carefully before starting installation and keep in a safe place for future reference.

Check the contents of the pack carefully before installation. Crosswater will not be held responsible for any de-fit / re-fit costs where faulty product has been fitted.

If any fault is found with materials or workmanship, it must be reported immediately to the manufacturer. Remedial action will be taken, based on information received, on condition that:

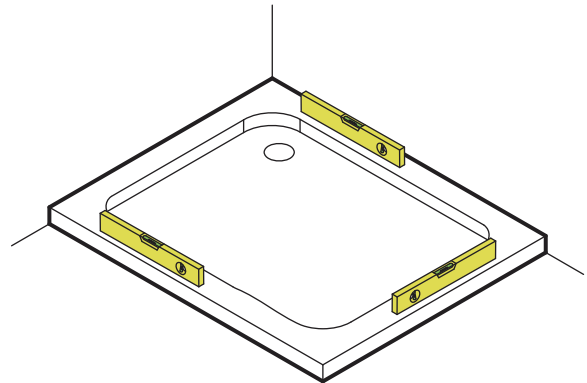
1. Full details are supplied to the manufacturer;
2. The enclosure has not been modified or tampered with;
3. The manufacturer is informed of any damage/shortages prior to installation.

We do not accept responsibility for any problems that may occur through incorrect installation.

The success of the installation and operation of any shower enclosure is, of course, dependant on the squareness, alignment and construction of the walls to which fixing is to be carried out.

VERY IMPORTANT

You must complete all tiling and grouting, and the shower tray **MUST** be level and fully sealed to the tiles before installation. If you do not fit the enclosure onto a tiled surface, or seal the tiles to the tray before installation, water may soak into the wall behind the wall profiles.



INSTALLATION - Advice and safety

The installation instructions are based on typical use and conditions.

These products come with the two wall channels pushed onto each side of the glass panel frame.

These hints have been prepared for your guidance, you must exercise due care at all times.

For Health and Safety 2 people must carry out the installation of this enclosure.

Handle glass with care. Although the glass supplied is toughened safety glass (EN12150), impacts can damage both the glass and the frame.

Warning!

Please check for any hidden pipes or cables before drilling holes in the wall.

To stop the drill bit slipping, masking tape can be applied to the tiles when preparing the holes.

When using power tools always follow the manufacturers user instructions.

Do not sit the enclosure on a bed of silicone, as this will also stop any water from draining back into the tray.

If the enclosure is sealed to the tray on the inside, any water that may get into the framework will not be able to drain back into the tray, this may cause the enclosure to leak.

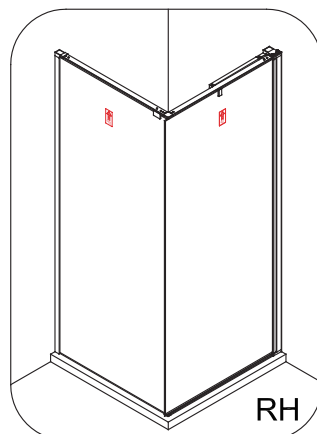
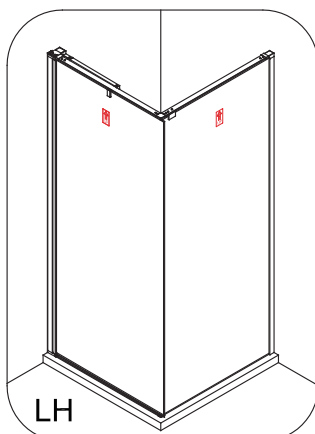
Leave the silicone sealant to dry for 24 hours before using the enclosure.

CARE AND CLEANING

Do not use solvents or abrasive material or chemicals to clean the enclosure.

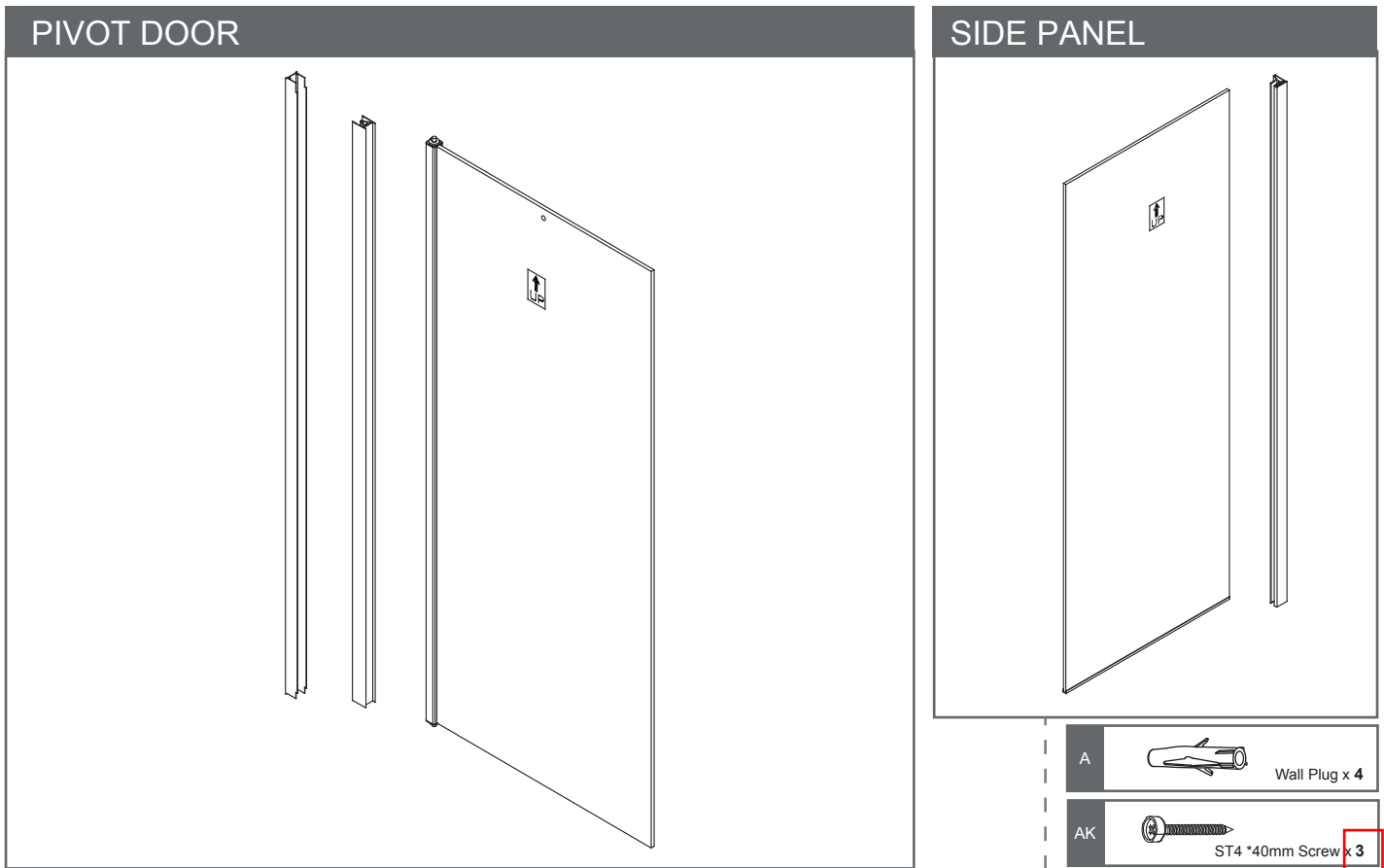
Only clean using soapy water and a soft cloth, rinse thoroughly afterwards.

INSTALLATION



The enclosure is reversible. The below illustrations will only show the left hand installation.

CONTENTS

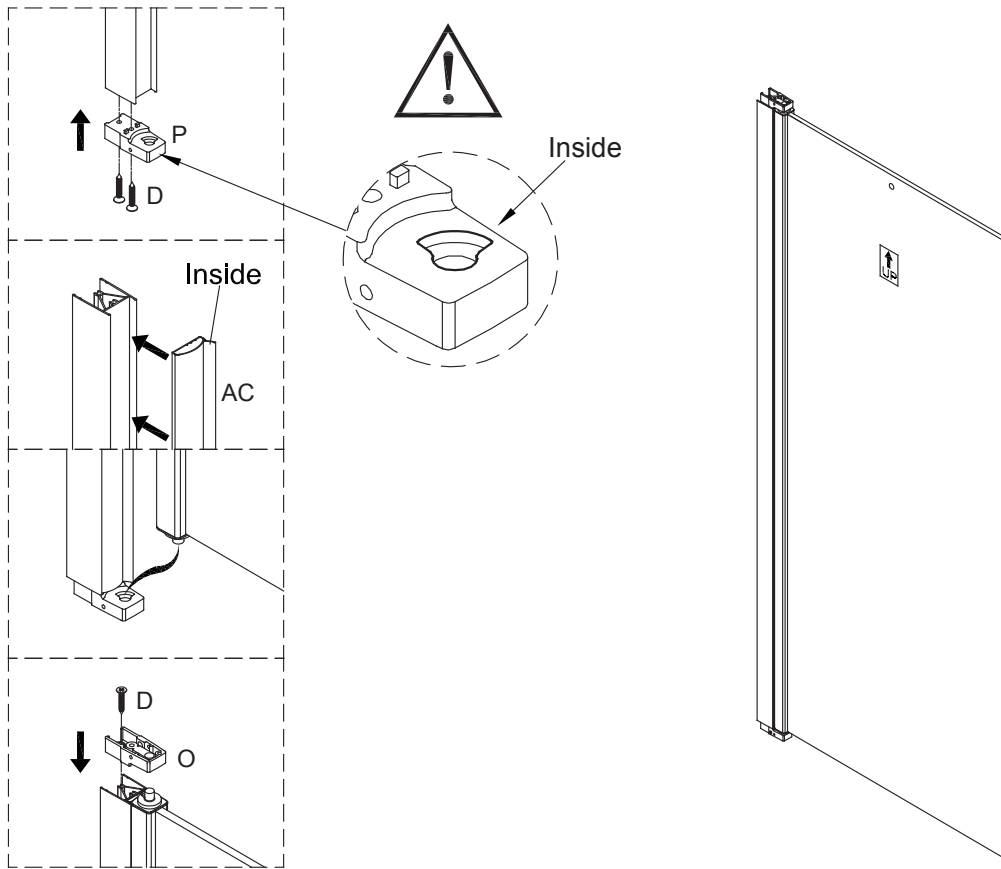


A Wall Plug x 4	L Wall Bracket(LH) x 1	W Waterproof Cap(RH) x 1	A Wall Plug x 4
B ST4 *40mm Screw x 4	M Wall Bracket(RH) x 1	X Bottom Pivot Cover(LH) x 1	AK ST4 *40mm Screw x 3
C ST4 *50mm Screw x 1	N Locking Part x 2	Y Bottom Pivot Cover(RH) x 1	AL ST4 *14mm Screw x 2
D ST4 *25mm Screw x 3	O Pivot x 1	Z Waterproof Barrier Bar x 1	AM Wall Frame Sealing Strip x 1
E ST4 *6mm Screw x 8	P Pivot x 1	AA Adjustment Block x 1	AN Glass Clamp x 1
F ST4 *16mm Screw x 1	Q Cap I(LH) x 1	AB Waterproof Strip x 1	AO Cap x 2
G Corner Connector x 1	R Cap I(RH) x 1	AC Side Waterproof Strip I x 1	AP Support Bar x 1
H Support Bar x 1	S Cap II x 2	AD Side Waterproof Strip II x 1	AQ ST4 *40mm Screw x 1
I Cap For Support Bar x 2	T Cap III x 1	AE Cap IV x 1	AH 3mm Allen Key x 1
J Wall Bracket(LH) x 1	U Buffer x 1	AF Cleaning Wipe x 1	AI 4mm Allen Key x 1
K Wall Bracket(RH) x 1	V Waterproof Cap(LH) x 1	AG 2.5mm Allen Key x 1	AJ 5mm Allen Key x 1
			AR Gasket x 1
			AS Block x 1

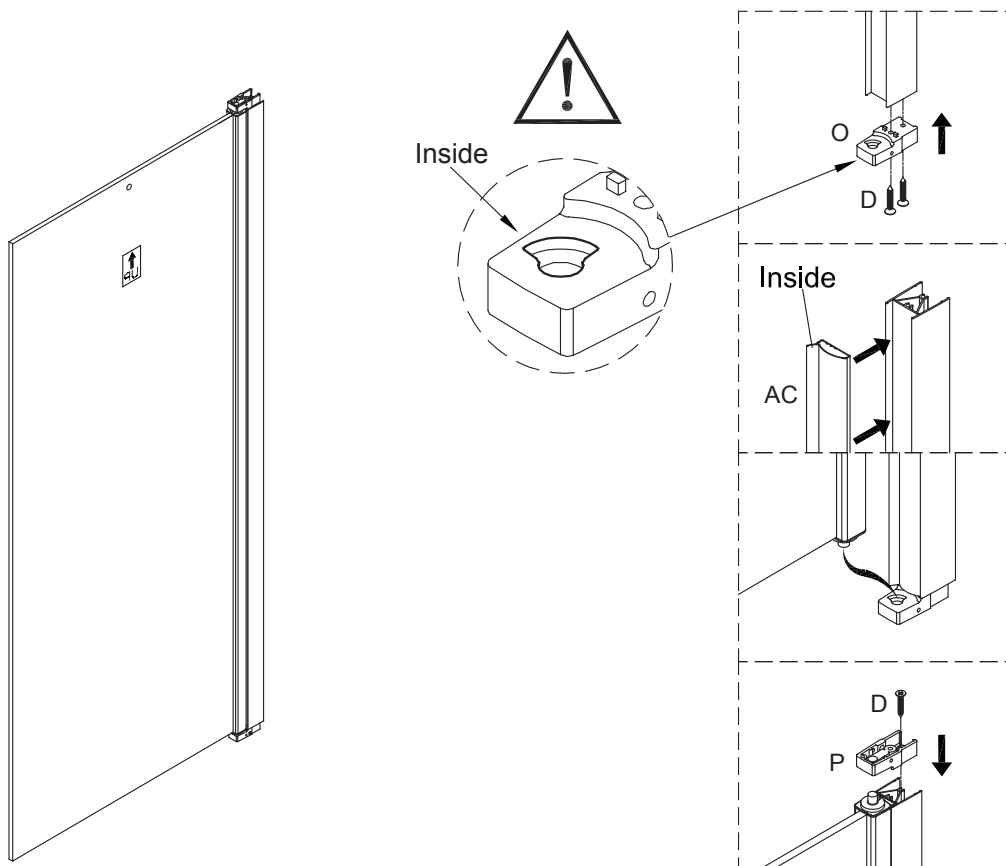
Tools and equipment needed

Drill, 6mm Masonry drill bit, 3.2mm General drill bit, Philips screwdriver, Spirit level, Pencil, Scissors, Knife, Silicone sealant.

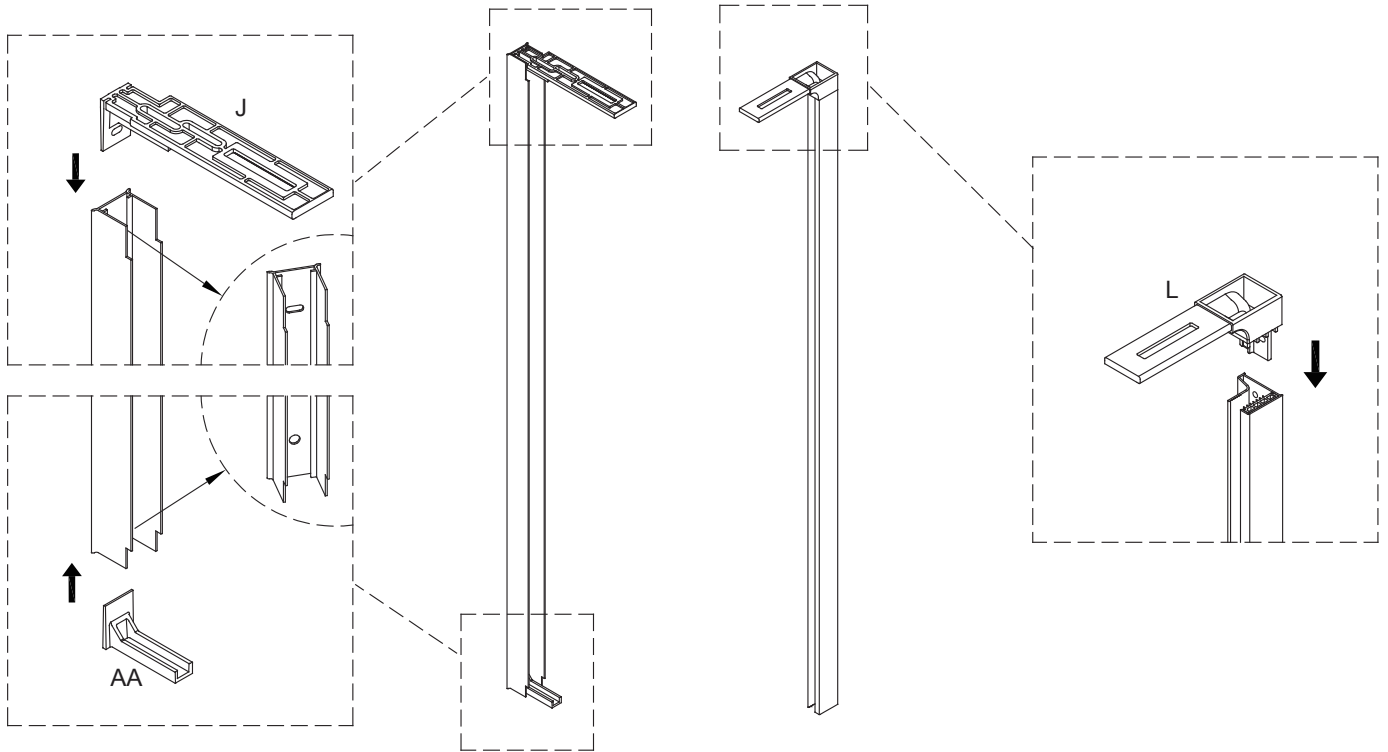
Step 1 - (Left Hand)



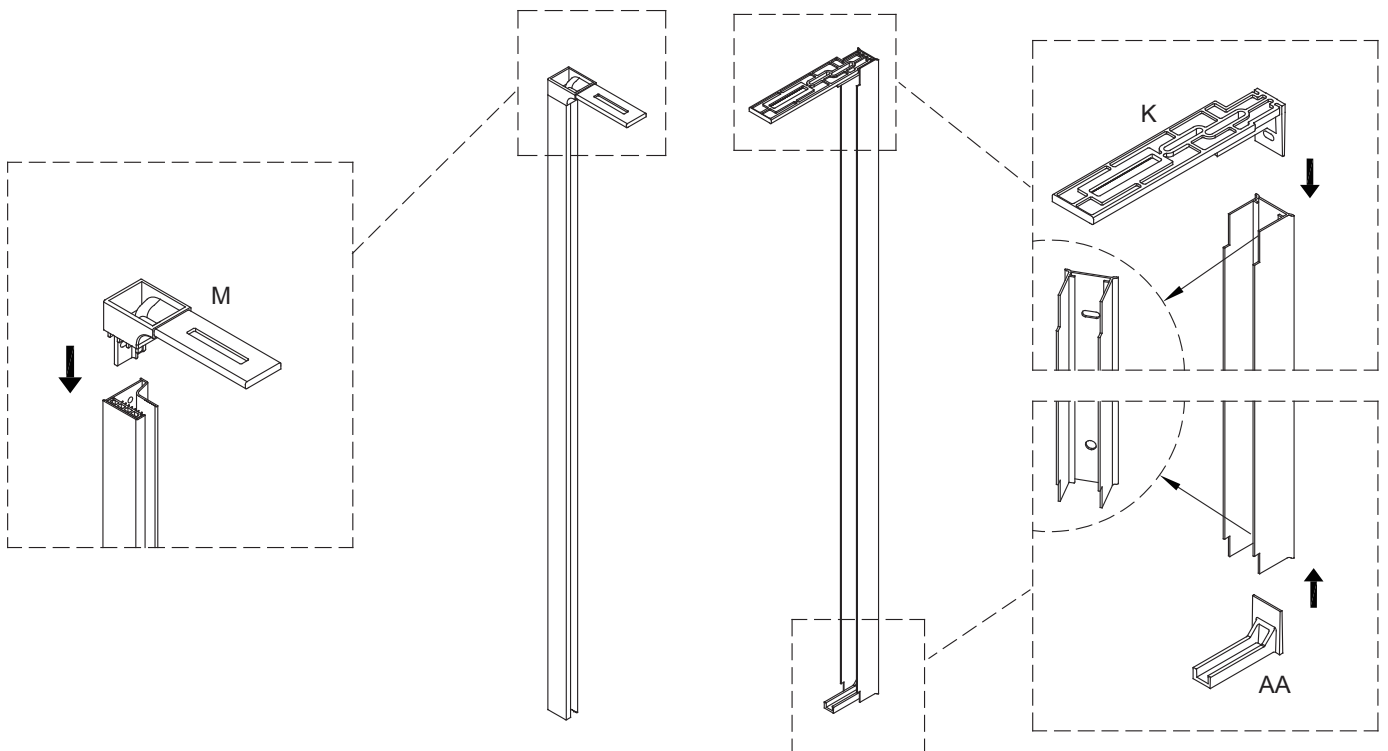
Step 1 - (Right Hand)



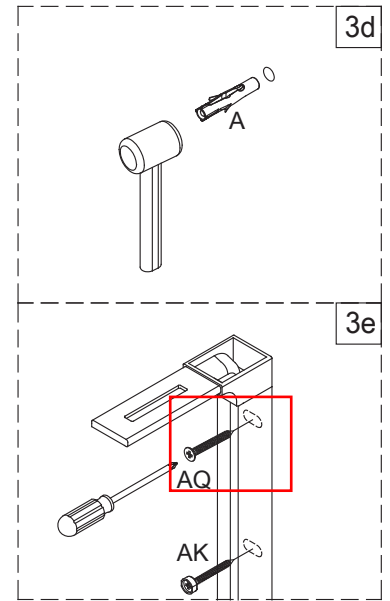
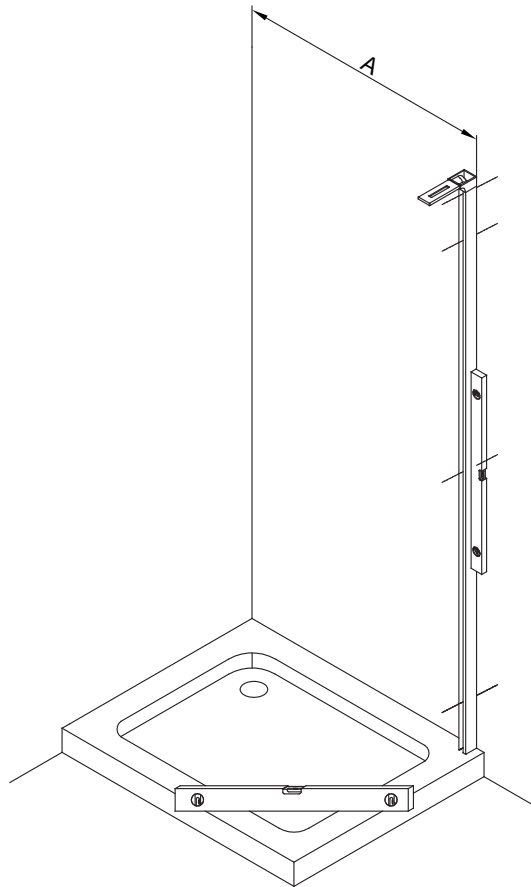
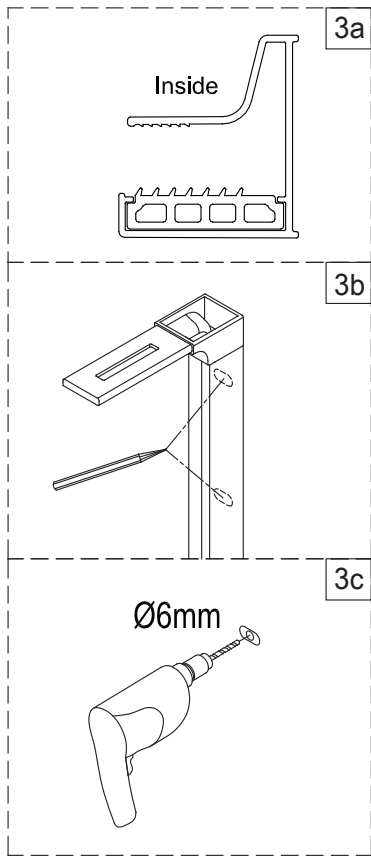
Step 2 - (Left Hand)



Step 2 - (Right Hand)

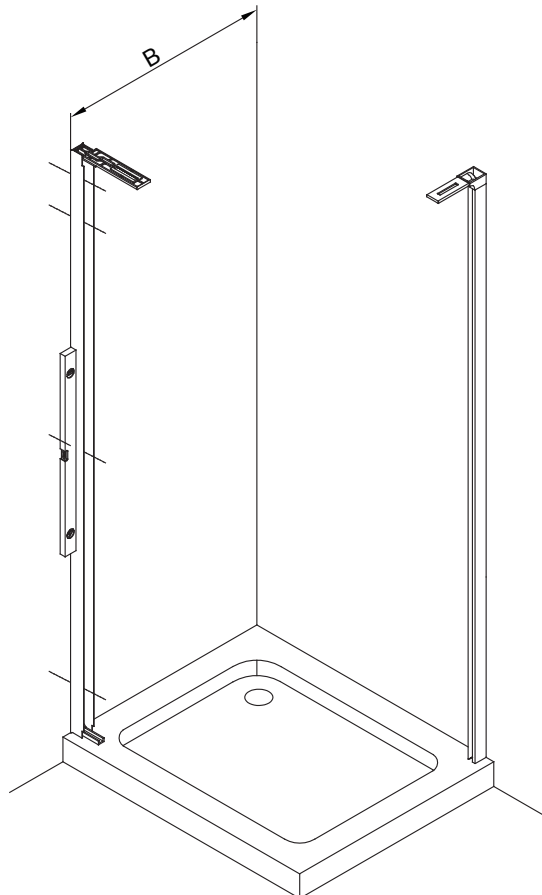
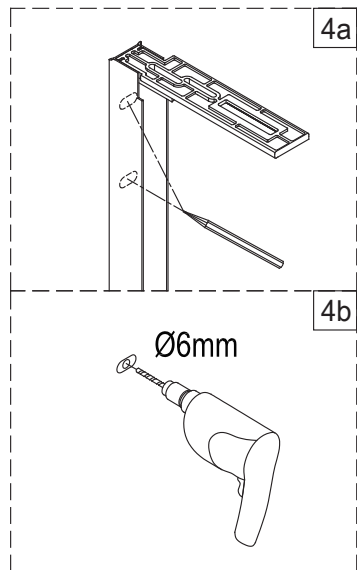


Step 3

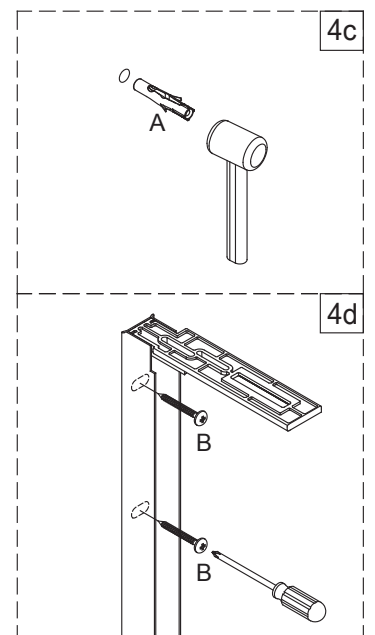


Model	A (mm)
HPDBC0800	770~785
HPDBC0900	870~885
HPDBC1000	970~985

Step 4

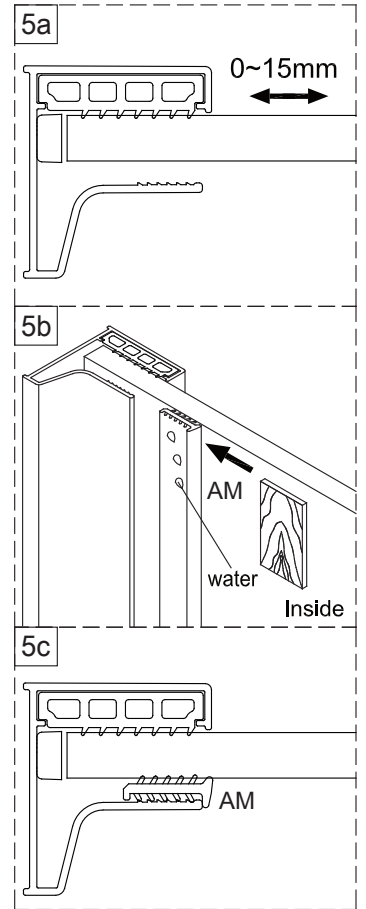
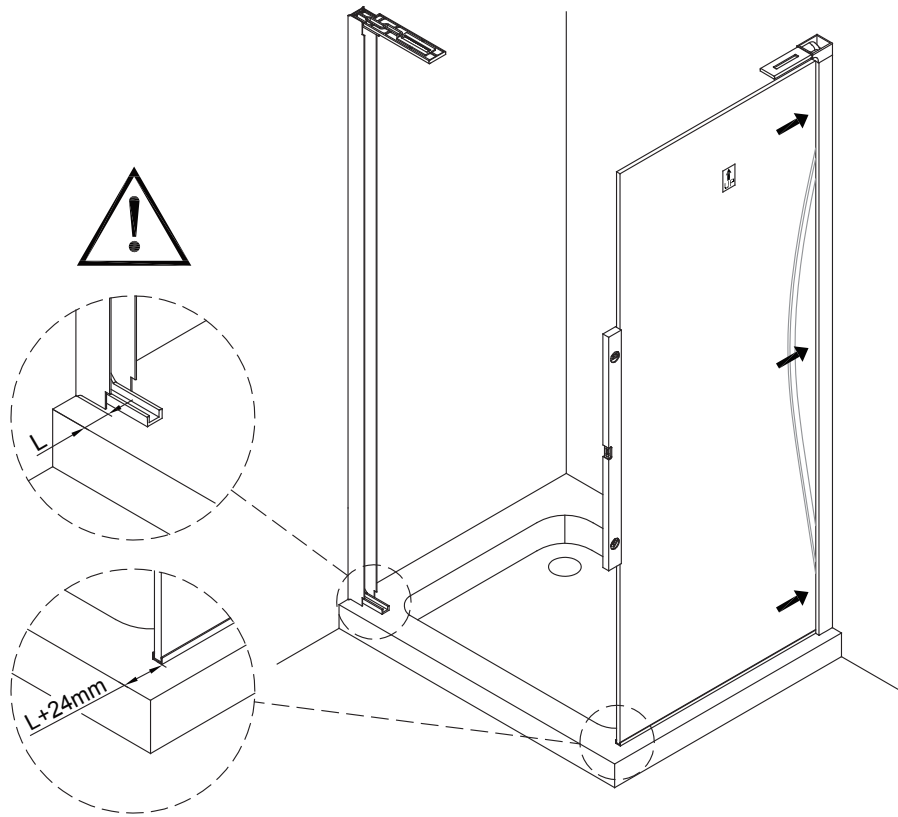


Model	B (mm)
HSPSB0800	773~788
HSPSB0900	873~888
HSPSB1000	973~988

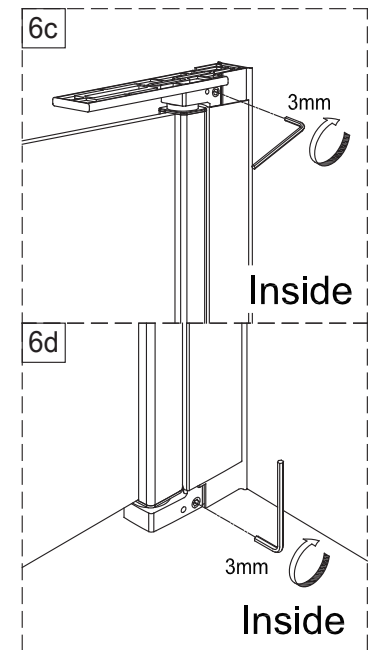
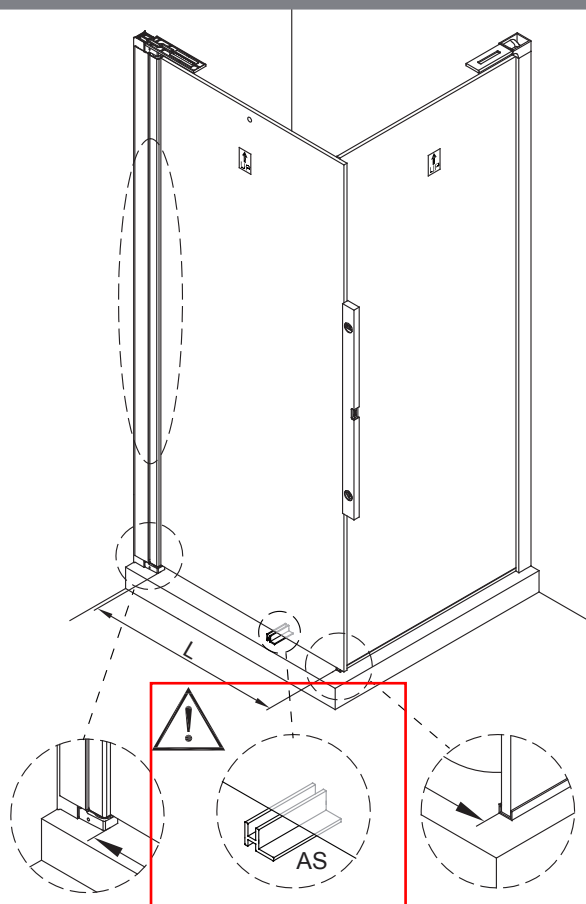
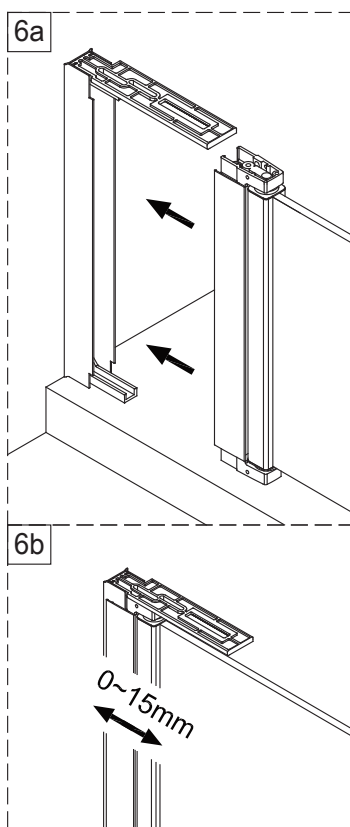


Step 5

NOTE: EASY CLEAN ON THE INSIDE.

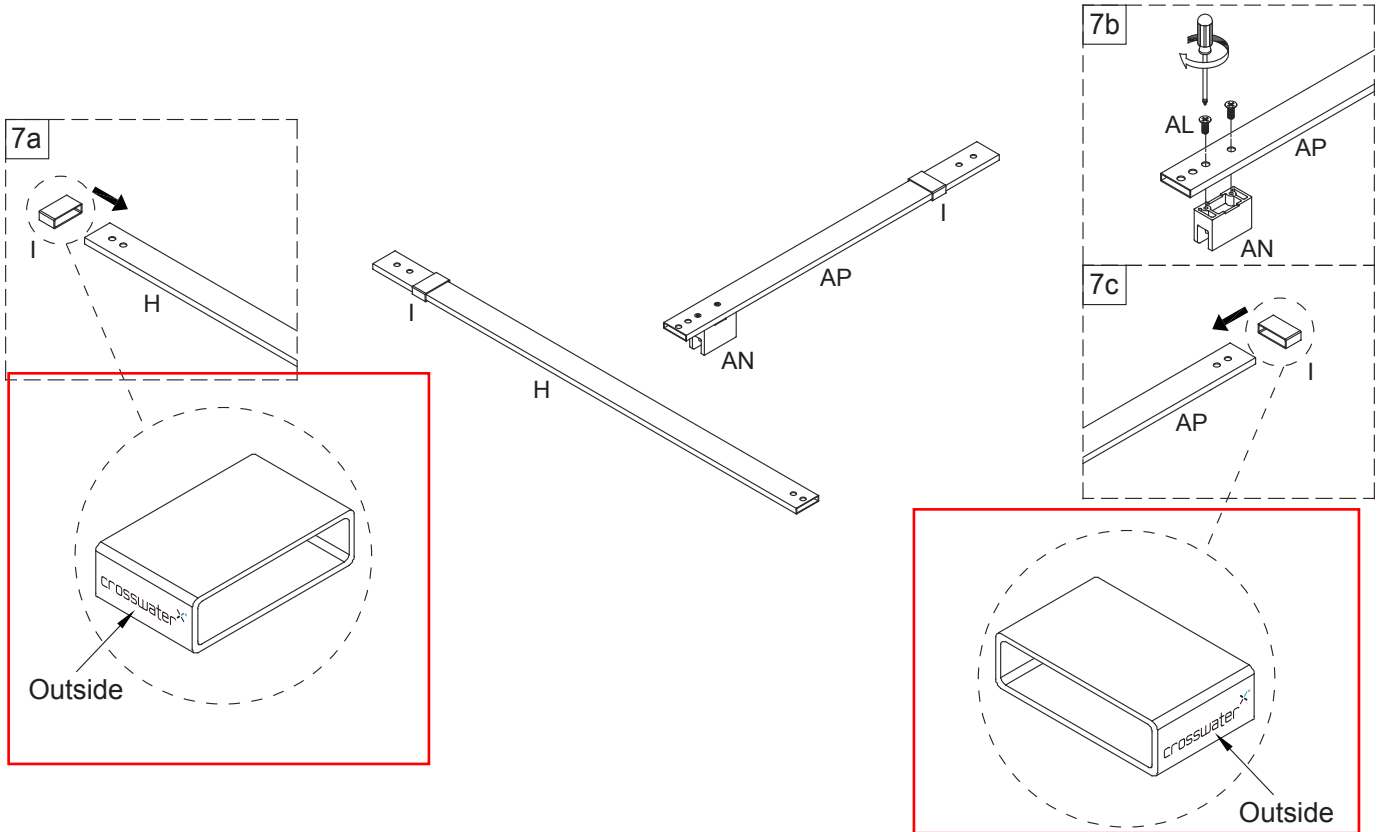


Step 6

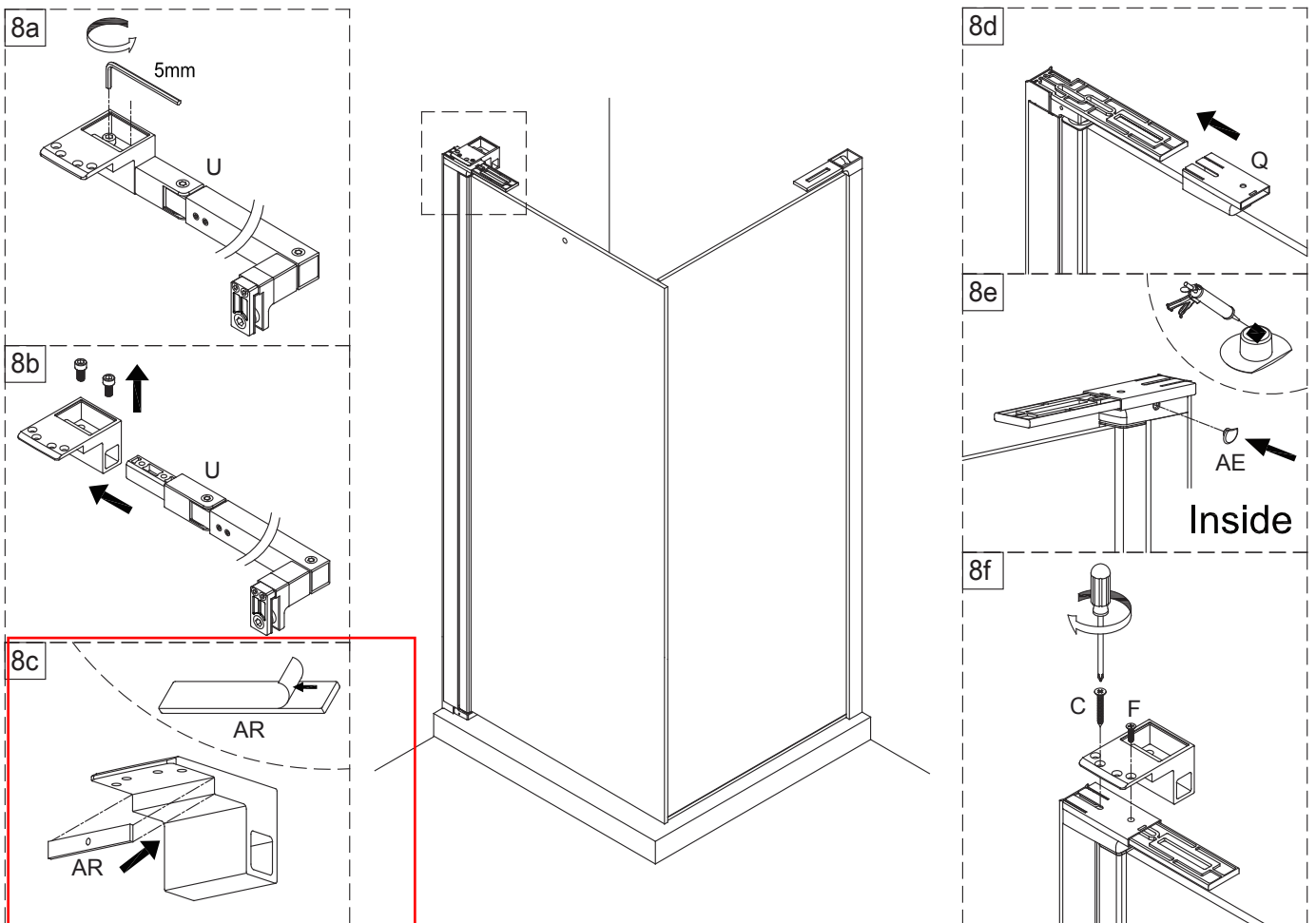


Model	L (mm)
HPDBC0800	695
HPDBC0900	795
HPDBC1000	895

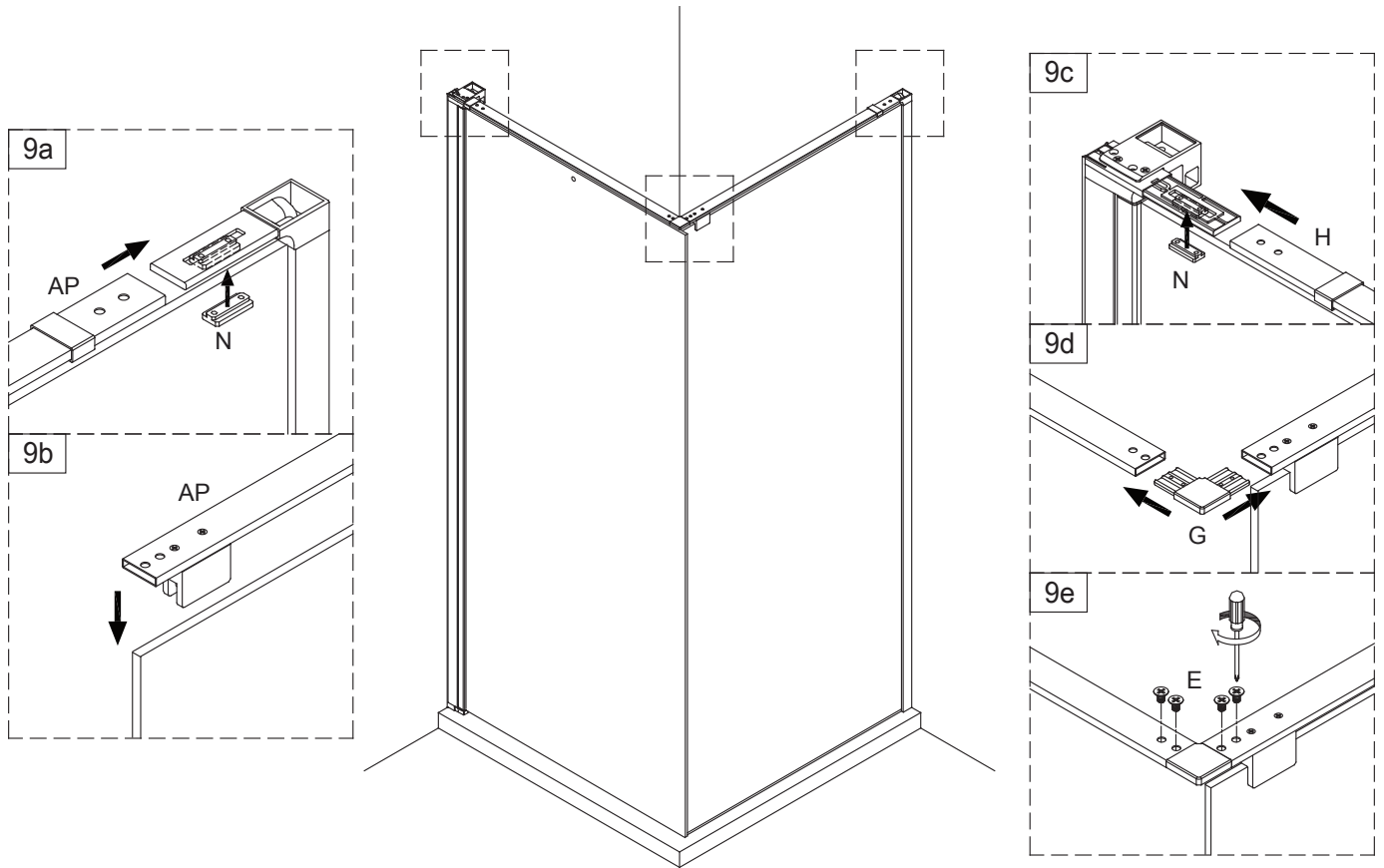
Step 7



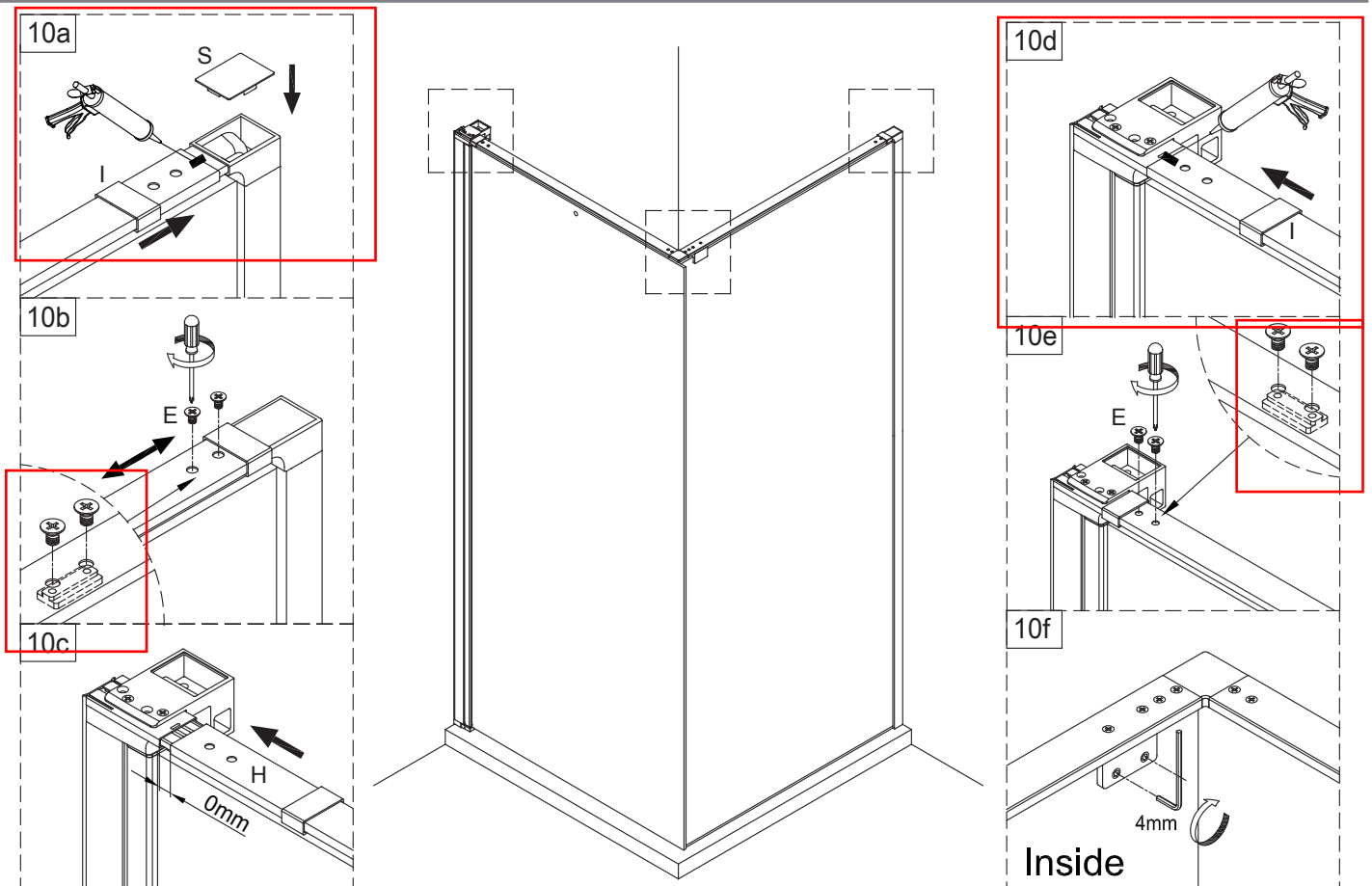
Step 8



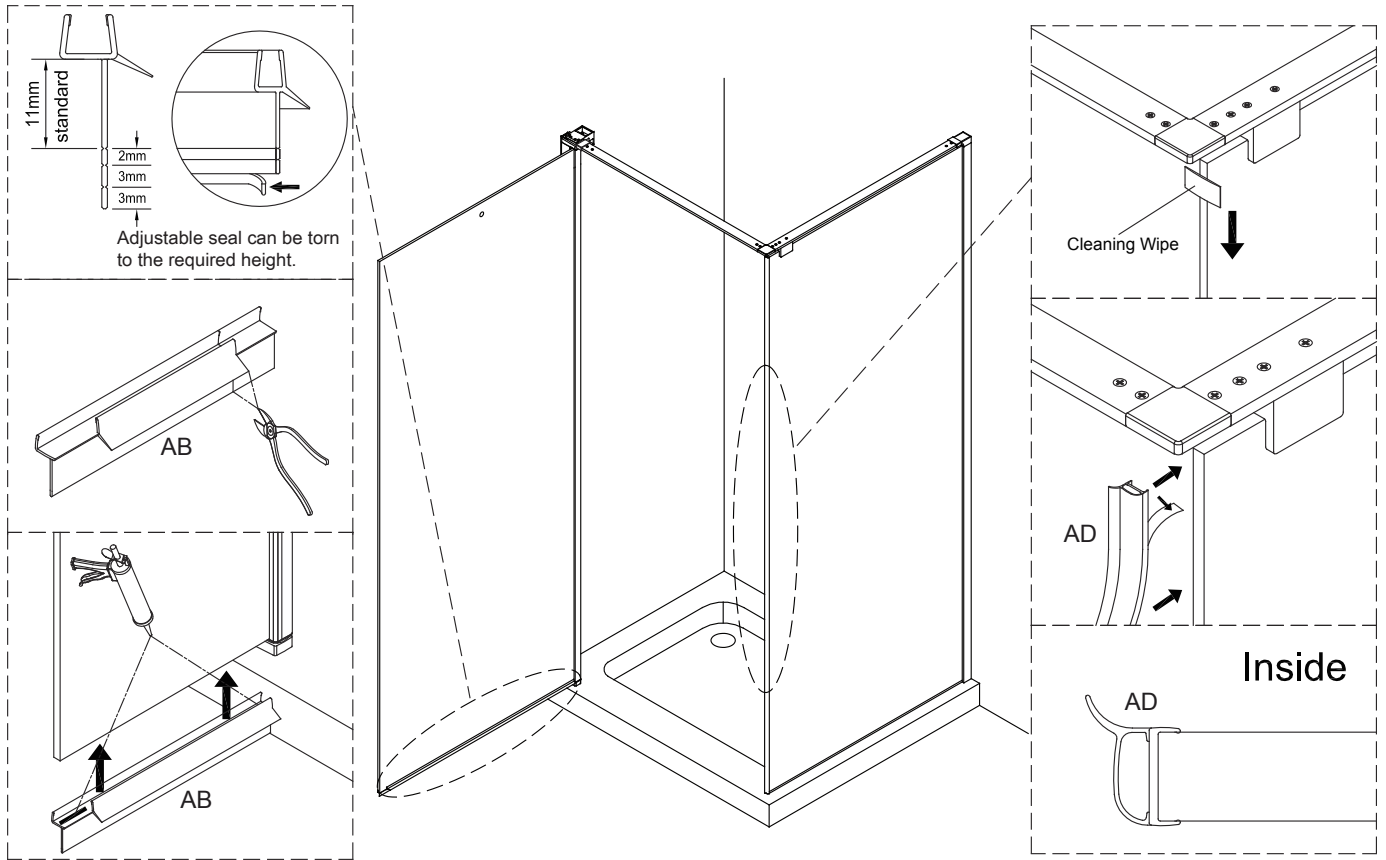
Step 9



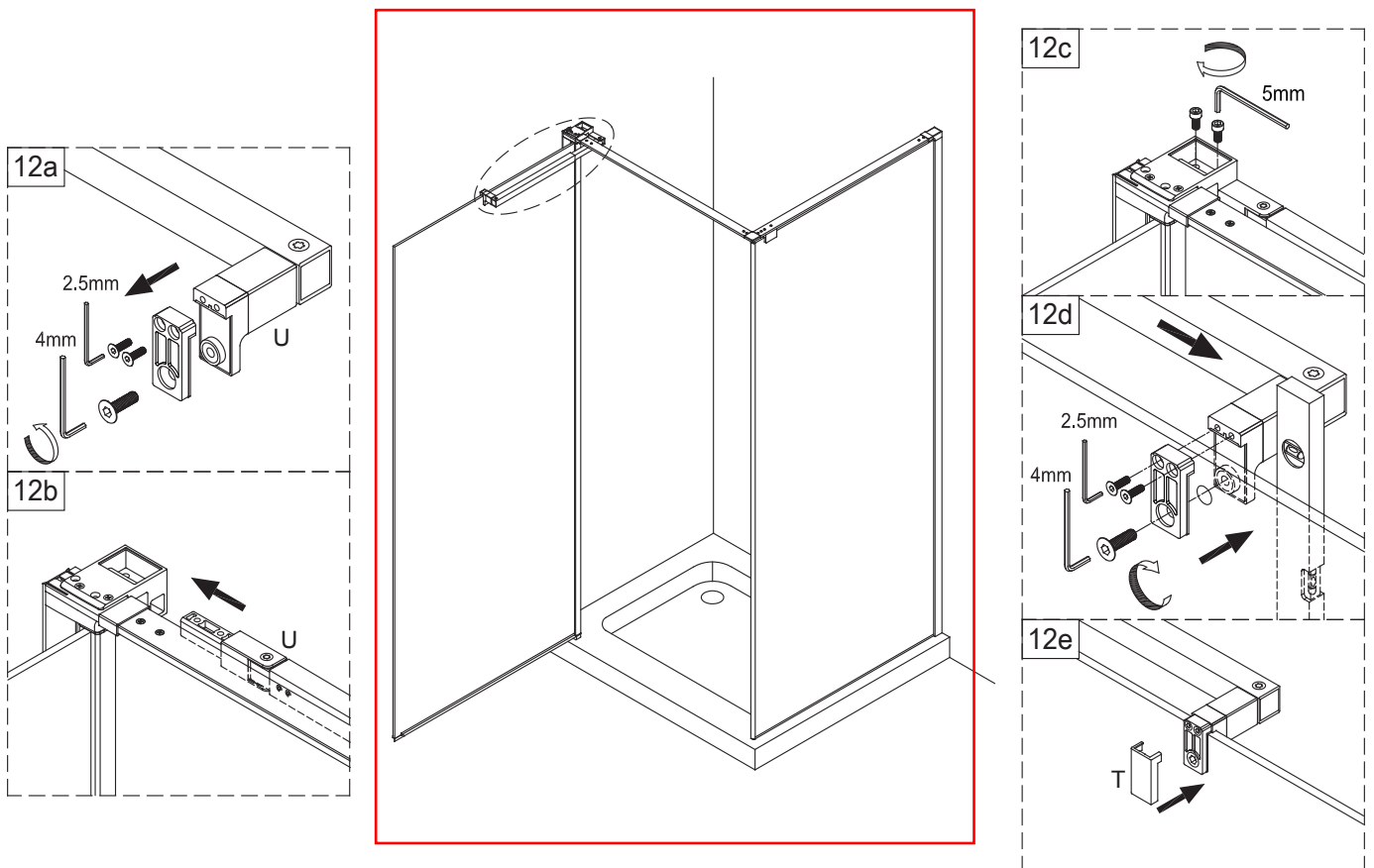
Step 10



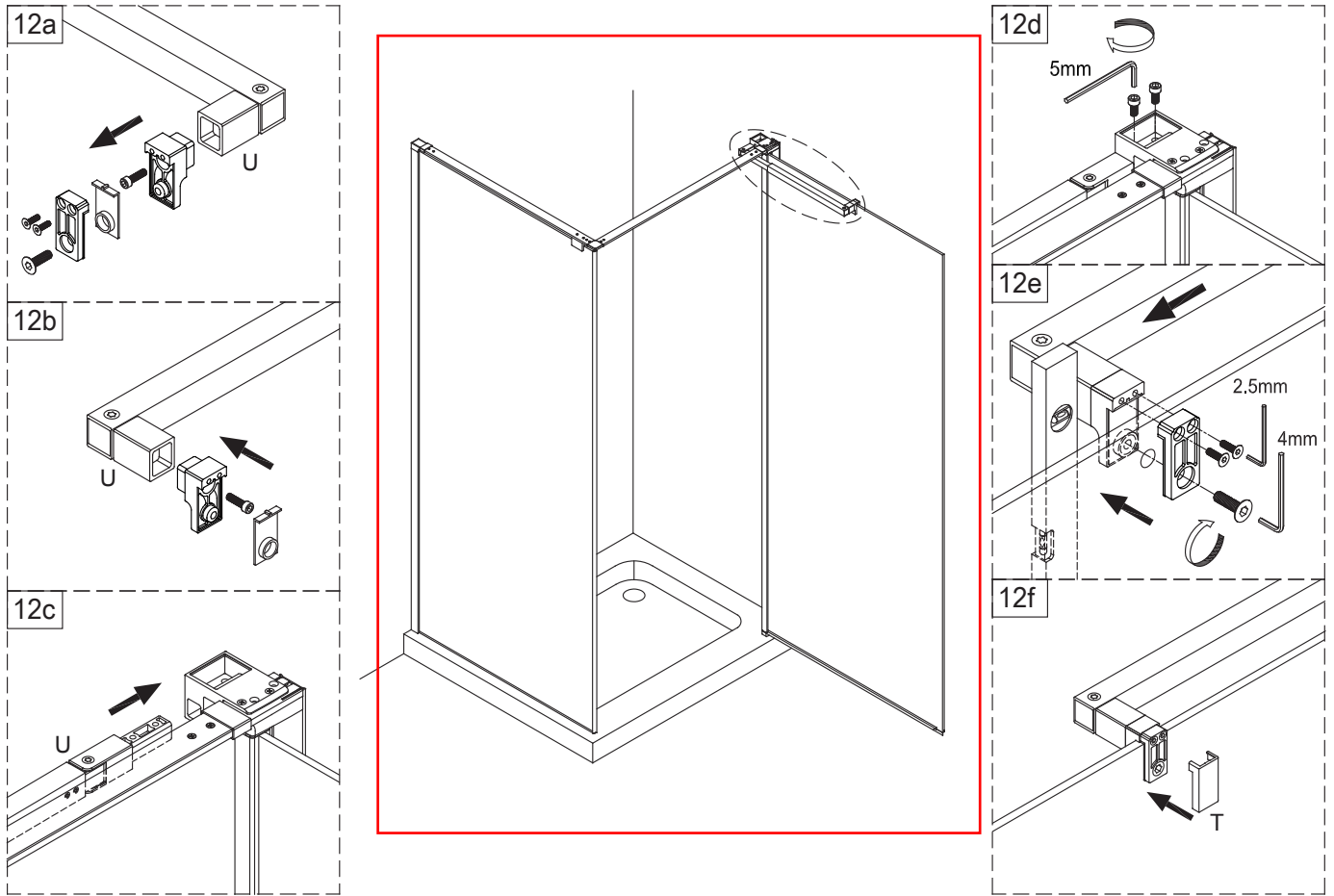
Step 11



Step 12- (Left Hand)

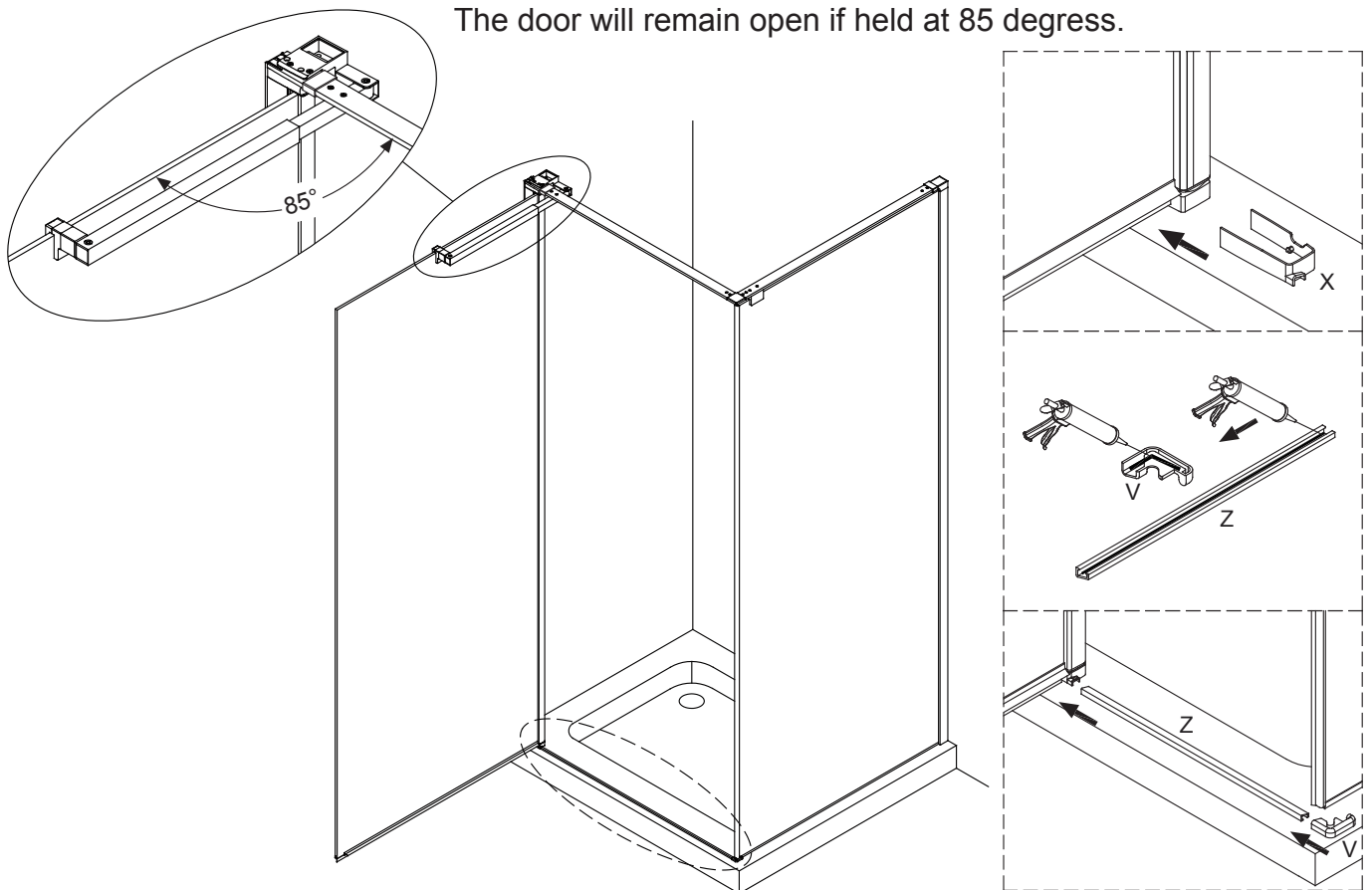


Step 12 - (Right Hand)

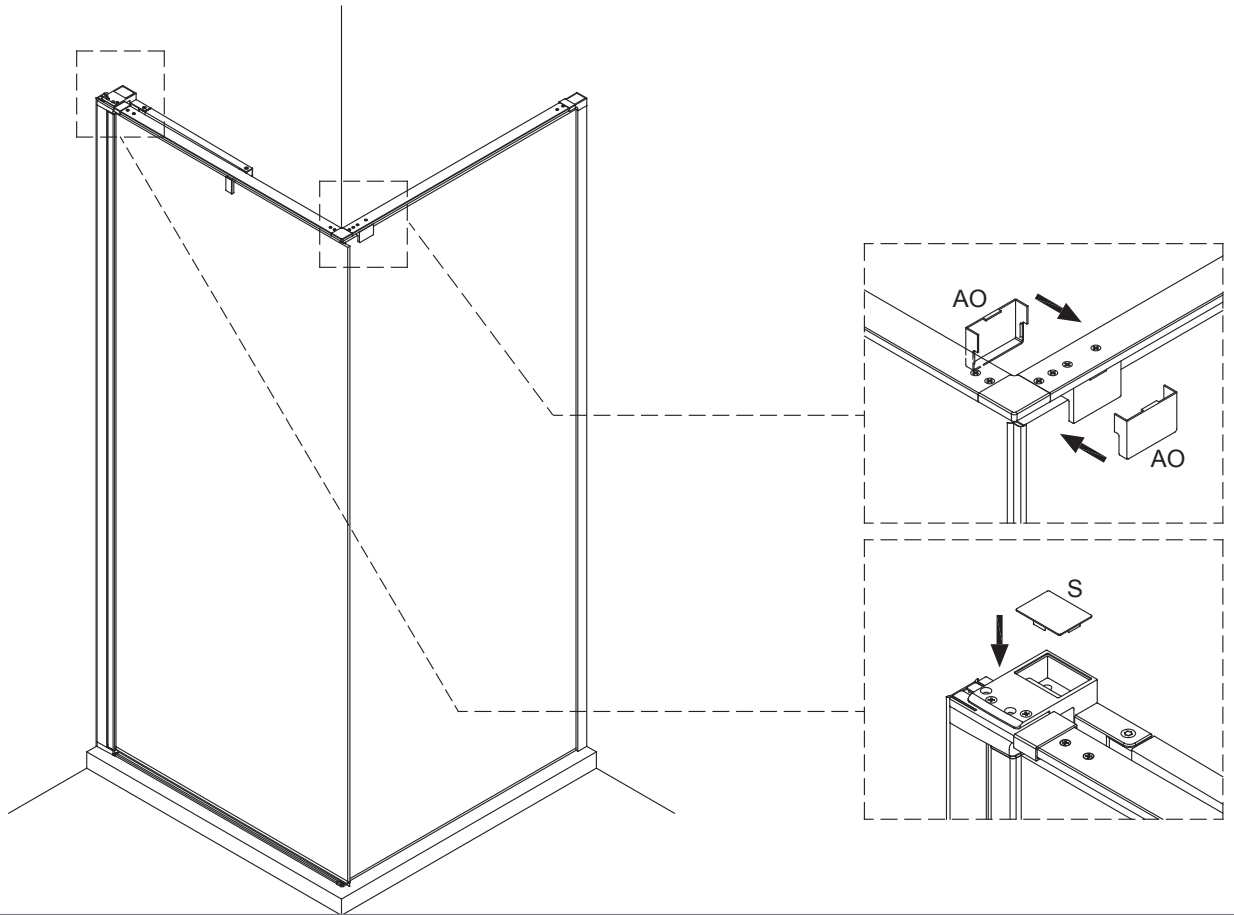


Step 13

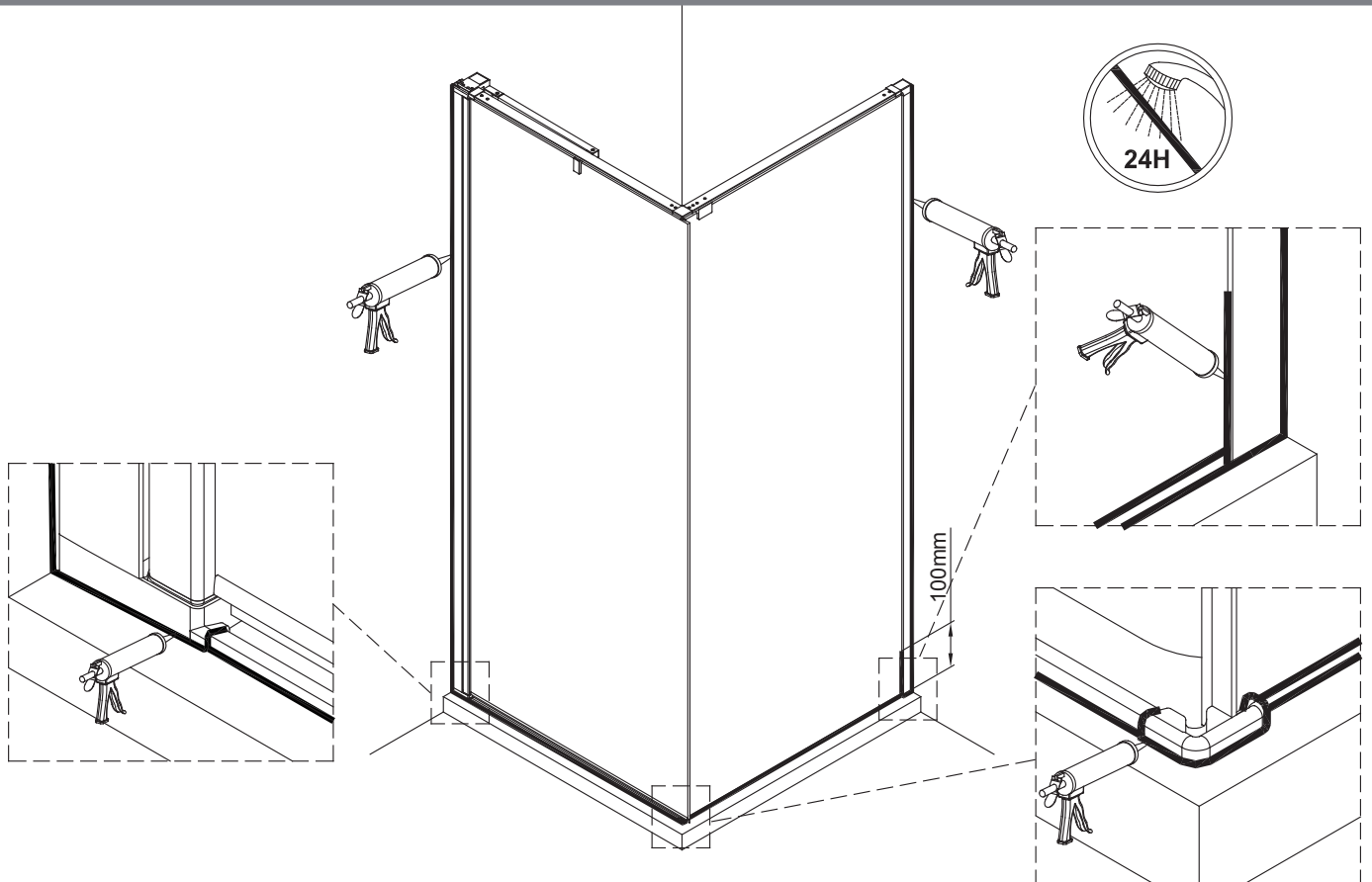
The door will remain open if held at 85 degrees.

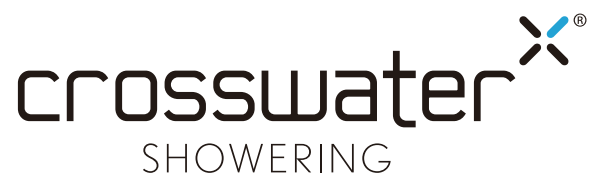


Step 14



Step 15





For any further information please contact Crosswater
Phone number, 0345 873 8840
Website, crosswater.co.uk
Email address, sales@crosswater.co.uk
The manufacturer reserves the right to make technical
modifications without prior notice.