

Wetroom Panel (Exposed Fix)

Instruction Manual

H3SP##CS

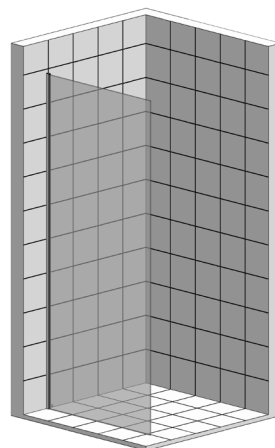


PO Box 125, Whitworth Avenue,
Aycliffe Business Park,
Co Durham DL5 6WX

12

EN 14428:2008+A1

To obtain a copy of the Declaration of Performance for this product, please go to: www.ce-dop.com, contact us on +44 (0) 1325 328034, or write to us at the above address, quoting the product reference number where possible.



IMPORTANT INFORMATION

- Toughened glass is completely safe for use in our shower enclosures and bath screens; providing our products are installed according to our guidelines.
- It is important to note that the glass must not be mounted or 'pinched' in such a way that would cause a stress point to develop in the glass. In addition, it must not be subject to any sharp impact or severe temperature fluctuation which may also cause a stress point to develop in the glass.
- Toughened glass is physically and thermally significantly stronger than standard glass. During the toughening process the stresses contained within any glass are balanced so if in the unlikely event situation any of the above occurs and the glass breaks, the glass will shatter safely into small thumbnail sized blunt fragments.

PRE-INSTALLATION CHECKS

- Check you have the correct product. Please look at the labels on the side of the product packaging.
- Check all the product components are in the box and the fixing kits.
- Unpack your product and handle it with care.
- Please check the product for defects or damage, once the installation has commenced we cannot accept responsibility for any defects or damage.
- Please take time to read these instructions prior to installing your product.
- Before you commence any drilling check there are no hidden electrical cables and/or water pipes.
- No attempt should be made to re-work the toughened safety glass.
- The installation of the product should be performed by two persons.
- It is strongly recommended that the walls the product is going to be installed on are vertical.
- It is strongly recommended the product is fitted on a tiled surface or similar waterproof surface.
- It is strongly recommended the walls are tiled and grouted before the product is installed.
- If the walls and/or the tray are not level you will not achieve maximum adjustment of the product.
- Pictures used are for illustration purposes only, product designs may alter slightly as a result of continuing product development.
- We do not stipulate where the European Standard Kite Mark should be positioned on the glass when being factory assembled.
- Please note that some natural misting may occur when you remove this product from its packaging, due to the addition of the glass protection pre-coating. If this does occur this can easily be removed with a soft, dry cloth.

Component Check List: Supplied

Description	Quantity
Panel Glass	1
Wall Channel	1
Bracing Assembly (if purchased)	1

Equipment Check List: Not Supplied

Description
Mains / Battery Drill
Pozi Screwdriver
Spirit Level (Large)
6mm Masonry Drill Bit
Tape Measure
Pencil
Sealant
Sealant Gun

Fixing Kit Components

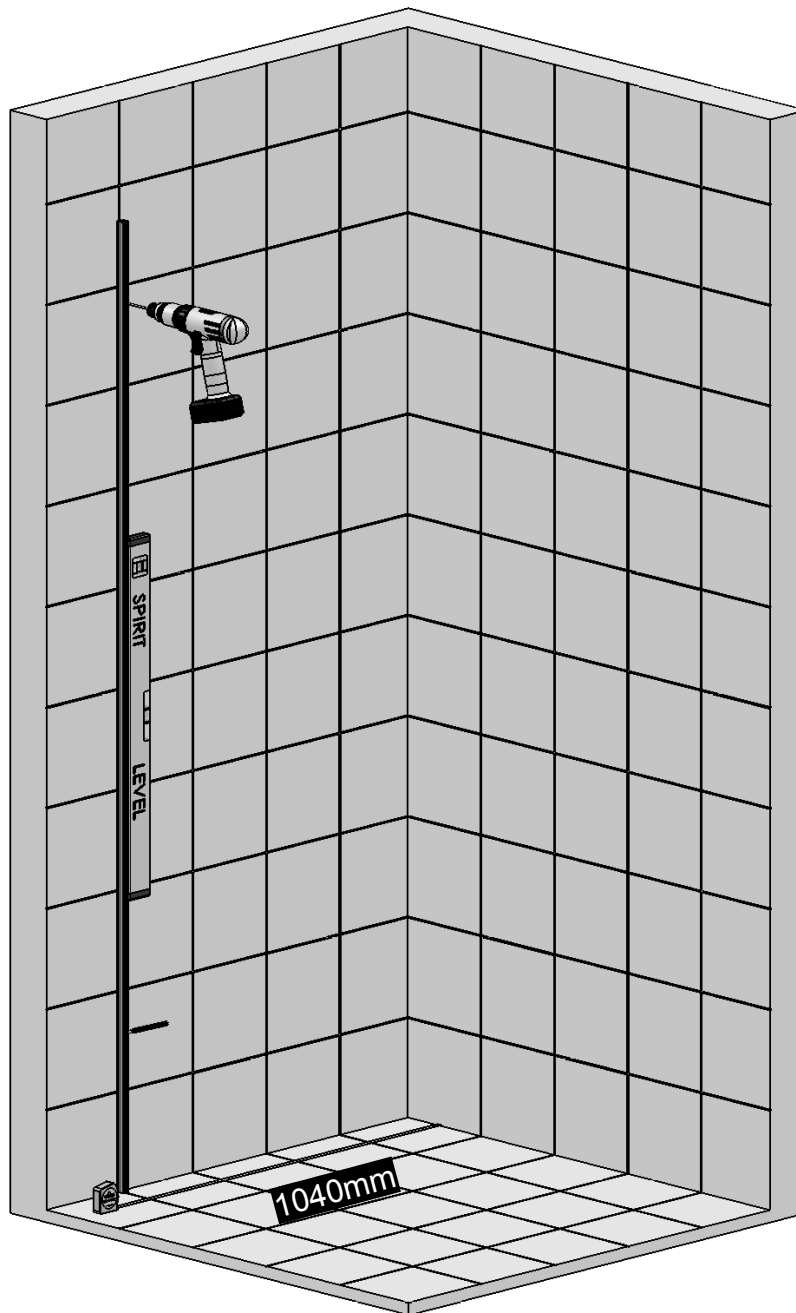
Description	Quantity
40mm Csk Screws	5
Wall Plugs	5
End Cap	1

CONSUMER GUARANTEE

Please make sure the purchaser/end user completes and returns the guarantee card which is enclosed with this product. Failure to validate the Guarantee will mean only the 1 Year Statutory Guarantee will apply.

Step 1 - Wall Profile

IMPORTANT: Before starting any of the following work you must make certain there are no electrical wires or water pipes or other obstructions in the vicinity.



IMPORTANT: If you have chosen to brace this product then the maximum distance the Wall Channel can be positioned away from the wall is 1040mm (this is to the outside). If you have decided not to Brace then the product can be placed at any distance.

CAUTION: If you have fitted this product away from the wall by more than 1040mm and later decide it needs Bracing, the Bracing will not fit.

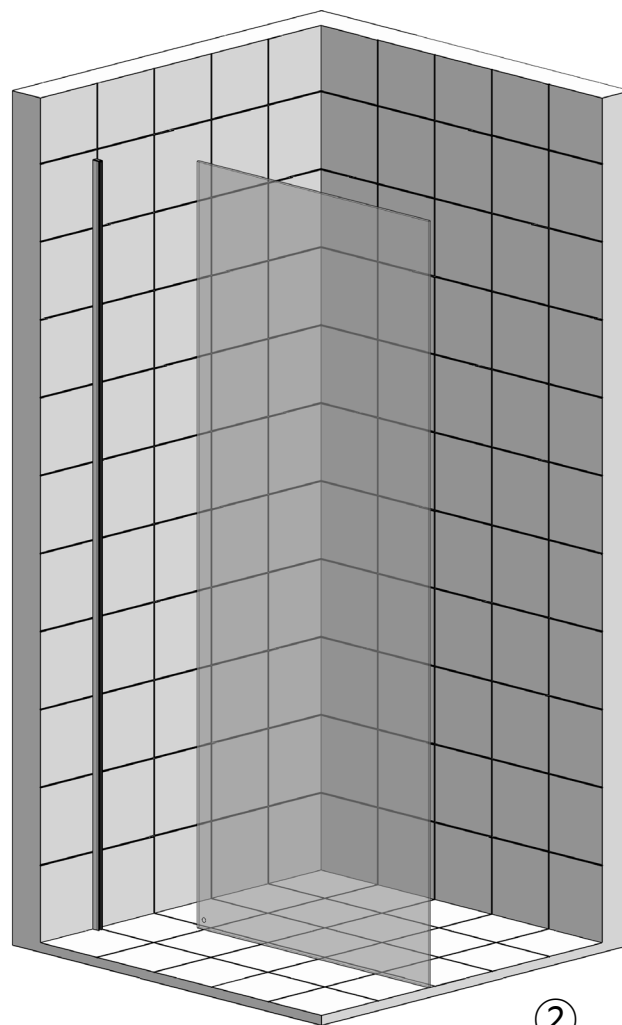
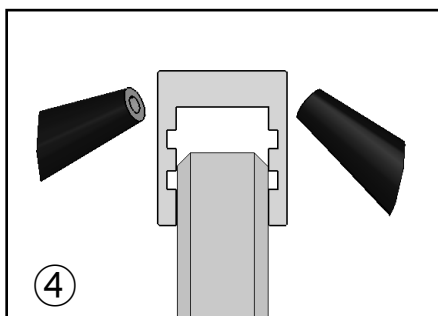
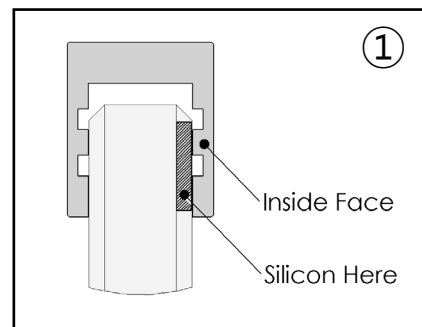
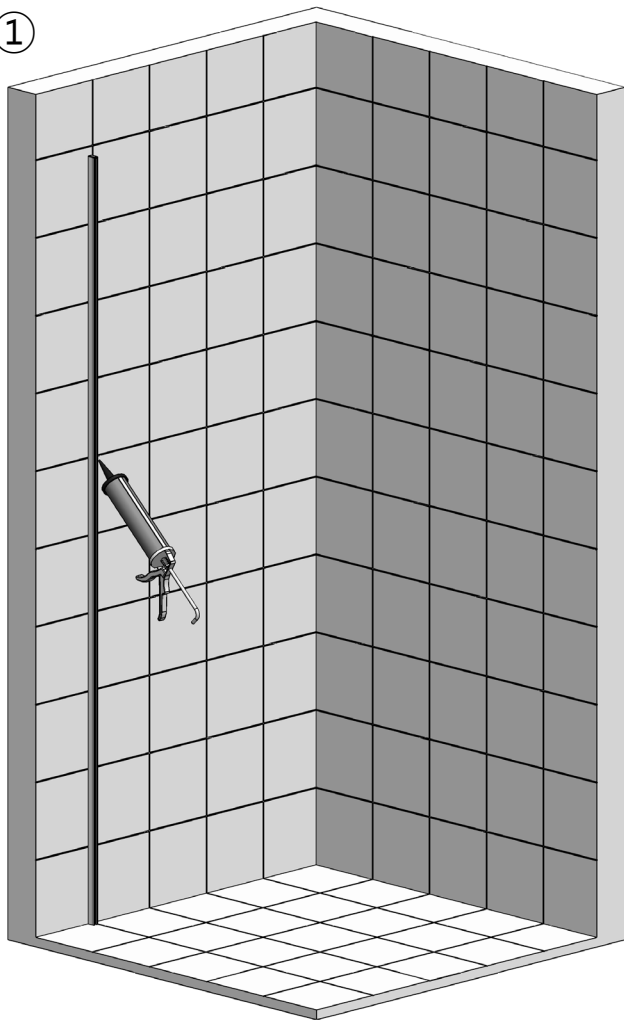
If fitting onto a tray ensure the Wall Profile is placed 5mm in from the inside edge of the tray.

1. Place the Wall Profile at the desired distance from the back wall.
2. Using a large Spirit Level ensure that the Wall Profile is completely vertical.
3. Mark through the holes in the Wall Profile.
4. Remove the Wall Profile and drill the holes in the wall using a 6mm masonry drill (not supplied) then fit the wall plugs (supplied).
5. Fit the Wall Profile using the 40mm Csk Screws (supplied) ensuring that it remains completely vertical.

Step 2 - Fitting Panel

NOTE: 2 people may be required to do the following procedures.

①

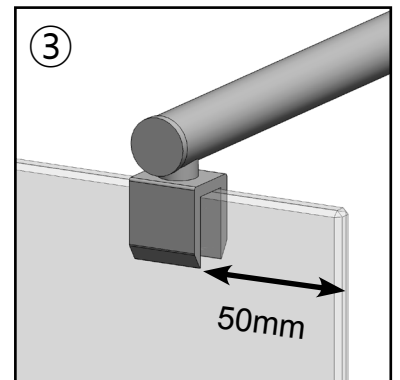
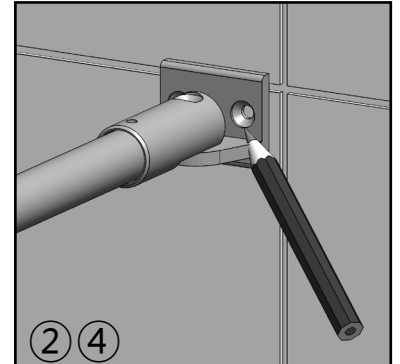
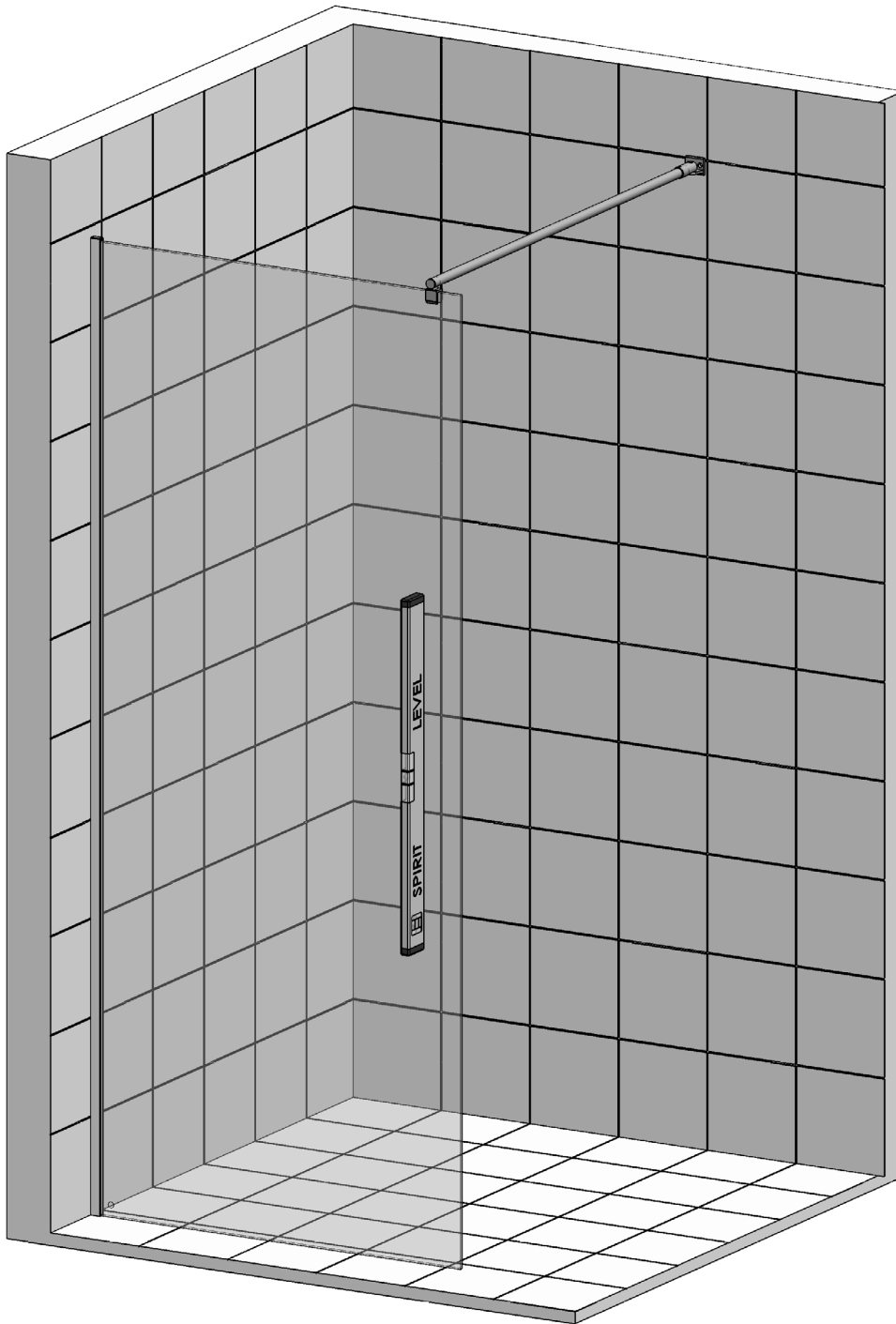


1. Place a bead of silicon vertically on the inside of the Wall Channel.
 - **Be careful not to apply too much silicon as it may become messy.**
2. Carefully lift the Plain Panel and place it into the Wall Channel and push it in as far as it will go.
3. Fit the Cap to the top of the Wall Channel.
4. Silicon vertically on both sides of the Wall Channel where it meets the tiles.
5. Fully seal horizontally along the bottom where the product meets the tiles (on the outside only).
6. Carefully clean off any excess silicon that may of crept out of the profile.
7. Leave for a minimum of 24 hours to allow the silicon to fully cure.

• **IMPORTANT: Failure to follow procedures 1,4 and 5 may cause serious water damage and is not covered under the terms of the guarantee.**

Step 3 - Bracing

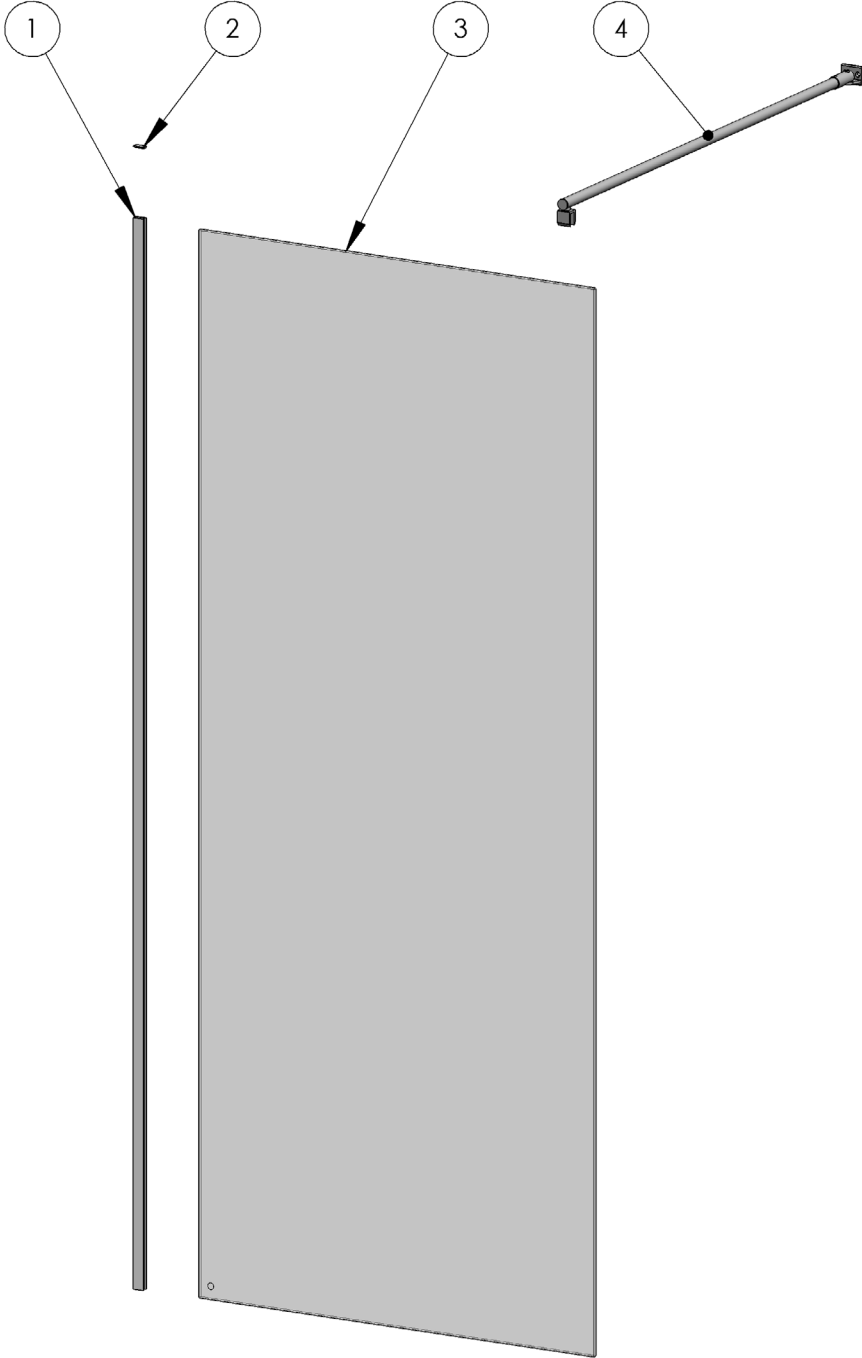
NOTE: The bracing is sold separately so this section only applies if you have purchased, else ignore.



1. Take a measurement from the outside of the Wall Channel to the back wall, the long tube on the bracing should be 40mm less than this measurement.
2. If required carefully cut the long tube so that it is 40mm less than the dimension derived earlier.
 - **IMPORTANT: Only shorten at the end that fits into the Wall Cup, carefully remove all burrs.**
3. With the Panel Glass vertical place the bracing on top of the glass (about 50mm in from the end) and up to the wall keeping it horizontal and square.
4. Using a pencil mark through the holes in the wall bracket onto the wall ready for drilling.
5. Remove the Bracing and drill the holes in the wall using a 6mm masonry drill (not supplied) then fit the wall plugs (supplied). Remove any debris.
6. Reposition the Bracing and secure to the wall using the screws provided.
7. Ensure the gaskets are fitted between the bracing and the glass and tighten all screws securely.

Spare Parts

If you need to replace any damaged parts please see illustration below for parts list then call Customer Relations on 01325 328033



Part No.	Description	Qty	Part No.	Description	Qty	Part No.	Description	Qty
1	Wall Channel	1	11			21		
2	End Cap	1	12			22		
3	Panel Glass	1	13			23		
4	Bracing (Sold Separately)	1	14			24		
5			15			25		
6			16					
7			17					
8			18					
9			19					
10			20					

TROUBLE SHOOTING GUIDE

Problem	Solution
Leaking	<ol style="list-style-type: none">1. Has the inside of the Wall Channel been sealed correctly..2. Check the Wall Channel has been sealed inside and outside. <p>Important: This enclosure should be water tested conforming to BS EN 14428</p>
Panel Moving	<ol style="list-style-type: none">1. Has Bracing been purchased.2. If Bracing has not been purchased then you should consider buying.3. Check the Bracing been fitted correctly.4. Ensure all screws are fully tightened.5. Ensure the gaskets are fitted between the glass clamp and glass.6. Check that the Panel and Wall Channel is fully sealed to the floor at the bottom.7. Check the Wall Channel has been sealed inside and outside.

Some important information to help you Maintain your product.

The following information is all you need to keep your product looking new.

Clean your product using a mild detergent diluted in water and then polished off using a soft cloth. If you live in a hard water area, periodically clean your product using a 50/50 solution of white vinegar and water. The solution should be left on the enclosure for approximately 5 minutes then rinsed off using warm water. This method of cleaning should remove lime scale residue.

Simple Maintenance

Our products are generally maintenance free, however it may be necessary to lubricate wheel assemblies and other moving parts from time to time.

It is strongly recommended that a quality silicone spray is used.

A list of Don't's:

1. Don't use acidic based products which are unsuitable for cleaning enamel surfaces.
2. Don't use abrasive cleaners or cleaners using bleach or solvents, these products will adversely affect the finish of the aluminium profiles.
3. Don't use scouring pads, powder or any sharp instruments when cleaning the enclosure.

Should you experience any problems during installation please refer to the Trouble Shooting Guide or contact Customer Relations on:

+44 (0) 1325 328033

To enable customer relations to provide you with an excellent level of service it is important that you quote your product Code and Reference Number - these can be found on the Guarantee card.