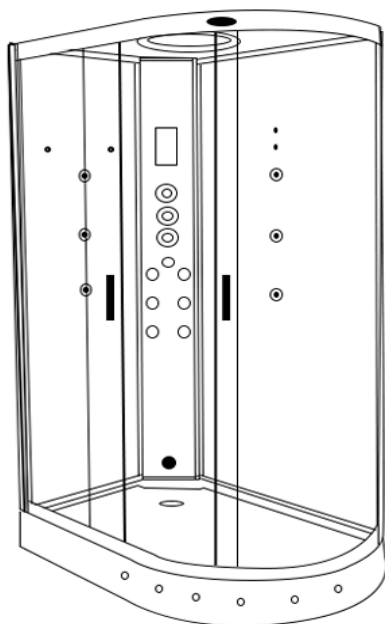




www.insigniarange.co.uk

# INSTALLATION MANUAL

## GT5000L



30 Day Technical Support: 01908 226545

(NOTE: This service is only available to customers from the day of delivery, please have your supplier's details and your postcode to hand before calling)

Replacements Parts: inside of your warranty contact:  
[www.insigniarange.co.uk/customerService.aspx](http://www.insigniarange.co.uk/customerService.aspx)

Spares/Replacements Parts: outside of your warranty  
contact 0844 800 3069

ATTENTION INSTALLERS:

These instructions must be  
left with the customer

**CHECK ALL CONTENTS BEFORE BUILD COMMENCES. NO RETURNS CAN BE MADE  
ONCE THE BUILD HAS STARTED AS IT IS DEEMED ACCEPTANCE OF PRODUCT!**

WARRANTY REG NO: \_\_\_\_\_

To claim your full 5 year warranty, register your shower within 90 days of delivery at:  
[www.insigniarange.co.uk/warrantyreg.aspx](http://www.insigniarange.co.uk/warrantyreg.aspx). Standard 12 month warranty applies if outside this time period.

# Contents

<b>Introduction</b>	<b>3</b>
Electrical Requirements	6
<b>What's In The Boxes?</b>	<b>7</b>
Screw Pack Contents	8
<b>Plumbing Requirements</b>	<b>9</b>
Schematics	10
<b>Starting The Installation</b>	<b>11</b>
Electric Box Connections	20
<b>Steam Generator Connections</b>	<b>21</b>
Sealing and Water Testing	22
<b>MK117U Control Panel Instructions</b>	<b>23</b>
Help Book Information	24
<b>Parts List</b>	<b>25</b>



Thank you for your recent purchase of an Insignia shower. Please read this booklet with great care to ensure you get the best out of your build and have a shower that will last for many years to come!

Like everything, in order to obtain a first class product that will serve you well for many years, the effort and correctness put into the assembly will reflect in the quality of your finish.

**OUR BADGE RATING IN TERMS OF DIFFICULTY OF ASSEMBLY IS BASED ON CLIENT FEEDBACK**

1 Badge = Very easy

2 Badges = Easy

3 Badges = Moderate

4 Badges = Harder than average

5 Badges = Professional skills required

This shower is rated 3 Badges



### ASSEMBLY AND PLUMBING

THIS PRODUCT BUILD IS RATED SUITABLE FOR DIY PURPOSES PROVIDING THE CUSTOMER IS OF ABOVE AVERAGE SKILL AND FEELS CONFIDENT IN THEIR ABILITY. ONLY YOU THE CUSTOMER WILL KNOW THIS SO BEFORE ANY ATTEMPT IS MADE TO ASSEMBLE, READ THROUGH THE FOLLOWING PAGES IN DETAIL THEN DECIDE. IF YOU HAVE ANY DOUBT USE THE SERVICES OF A PROFESSIONAL. IN PICKING SUCH, ALLOW THEM TO DECIDE IF THEY ARE CAPABLE OF BUILD BY FIRST SHOWING THESE INSTRUCTIONS TO THEM. ALWAYS GET THREE QUOTES.

REMEMBER THE BEST IS NOT ALWAYS THE CHEAPEST!

REMEMBER PLUMBERS PLUMB! 90% OF THIS JOB IS NOT PLUMBING!

**DUE TO THE NATURE OF THIS PRODUCT WE HIGHLY ADVISE THE PURCHASE AND FITTING OF A WATER SOFTENER**

(PLEASE NOTE LIMESCALE BUILD UP MAY CAUSE DAMAGE TO YOUR SHOWER AND WILL NOT BE COVERED UNDER WARRANTY)

### ELECTRICAL CONNECTION TO HOUSE MAINS

WHEN YOUR ITEM IS ASSEMBLED ALWAYS USE THE SERVICES OF A FULLY QUALIFIED ELECTRICIAN COMPANY TO COMPLETE THE CONNECTION FROM SHOWER TO THE HOUSE SUPPLY. LAWS DEMAND IN MANY CASES YOU DO THIS AND YOUR WARRANTY IS VOID IN REGARDS TO THE ELECTRICAL ITEMS IF THIS IS NOT UNDERTAKEN.

YOURS AND OTHERS SAFETY IS PARAMOUNT. NEVER ATTEMPT THIS YOURSELF!

### REMEMBER:

These showers are designed to be free standing and movable from their location should you have the need to replace anything. ALWAYS USE Flexible braided water inlet pipes (not supplied) at least a metre long (not central heating plastic type!)

Always use a flexible waste pipe from your house supply to the shower .

NEVER FIX with rigid pipes, NEVER FIX the unit to the wall.

**DURING BUILD, LIKE ALL SHOWERS CORRECT SEALING IS IMPERATIVE.**

**If you are using Insignia's RubberGum, please ensure the product does not come in contact with your silicone as this will cause the RubberGum to fail and will not adhere as intended.**

## **ATTENTION**

**ALWAYS FIT EASY TO GET TO ISOLATION TAPS ON BOTH THE HOT AND COLD WATER SUPPLY (NOT SUPPLIED). JUST LIKE A DISHWASHER OR WASHING MACHINE, THIS PRODUCT MUST BE ISOLATED WHEN NOT IN USE.**

**FLEXIBLE SUPPLY HOSES (NOT SUPPLIED) COUPLE HERE AS ORIGIN OF SUPPLY**

## Tool Requirements

None Supplied



Scissors



Stanley Blade



Silicone Gun



Spirit Level



Tape Measure



Philips Screwdriver



Electric Drill

## Adhesive Requirements



Bacteria Resistant Sanitary Silicone - (for vertical joints)

Not Supplied



RubberGum

Supplied



Plumbers Mait (for waste joints)

Not Supplied

## Hardware Requirements



A Steam Shower requires 3 x 1 Metre Braided Hose

Not Supplied

**YOU WILL NEED****TOTAL ELECTRICAL REQUIREMENTS**

Voltage Rating      220 -240AC  
Frequency Rating    50HZ  
Power Rating        3.0KW

Other than steam generator  
Internal Circuit Voltage is    12V  
Internal Current Rating        0.17A

Your electrical contractor should understand **ALL** legal requirements of connection before undertaking any work or installation.

**UNDER NO CIRCUMSTANCES UNDERTAKE THIS YOURSELF!!!**

Note for electrician. This product comes with 13 amp plug(s) fitted with an RCD unit. We leave it this way for you to connect this your own way due to continued additions to current regulations. As at October 2010 we offered two methods.

- 1) Connect within current laws and IP directives using plug and RCD provided with steam version or supply one for non steam version
- 2) (Preferred) Wire into isolated fused feed connecting directly to the house consumer/service box. Remove the fitted plug and ensure the Consumer unit has capabilities to replace RCD feature if RCD is removed.

Always use protection against electrical surge. Your shower should be treated the same as a home computer. A surge protector should eradicate the possibility of either the transformer or computer control being burnt out. Please note earth is required and found on chassis of shower tray. A further earth is required from Steam Generator unit. Each earth must ground through power supply line.

Whilst the next steps show you how to assemble your shower we want to make sure you have a correct build to ensure you get a trouble free shower. Therefore our advice is to follow the instructions and perform a dry run to ensure you are confident with the build and you understand fully how the unit is assembled. When we use the word "DRY RUN" this means you do not silicone anything, just simply construct the shower, align, drill and screw everything together. Once you are happy with the build take the unit apart and carry out the final fix.

## **What's In The Boxes?**

### **Tray Box**

1x Tray  
1x Roof  
2x Curved Rails

### **Glass Room**

2x Door seals  
2x Glass doors  
2x fixed glass

### **Column**

1x Complete Column

### **Backwalls**

1x Left Panel Backwall  
1x Right Panel Backwall

**In addition to above you will have all the required internal accessories to complete the shower**

## Insignia Screw Pack

Product Code	Description	Quantity
SP097	Door Handles	2
SP008	Door Wheels	8
ST20	20mm Screws	20
ST35	35mm Screws	10
ST14	14mm Screws	6
ST25	25mm Screws	10
SW9	Small Washers	20
DB9	Drill Piece	1

**Note: In some cases you may have more screws than needed, this is done so you have spares!**

### VERY IMPORTANT

Have you got everything? If not please contact the Insignia Support Line on 01908 226545. Remember **NEVER** book your tradesman until everything has arrived, been checked and is present. No replacement/missing parts can be obtained free of charge during or after the build. Any claims can only be within the timescale permitted (48 hours after delivery) and always **BEFORE** build.



### Pressure Requirements from your house supply

We recommend a bar pressure between 2.5 and 3.4 BAR. If you have a combi boiler system no problem should be experienced. If you have a gravity feed older type installation (hot water tank type usually less than 1 bar) you will almost certainly need a pump. We cannot advise on which type of pump is used, location or design because all house plumbing layouts vary. This is a job for your installer/plumber. The end delivery however must fall within the scope above.

**Important Note** Do not exceed 3.4 BAR pressure under any circumstances. Warranty is void if so as damage will occur. If you have a combi supply, please use a pressure reducing valve if required to lower the BAR pressure to the shower.

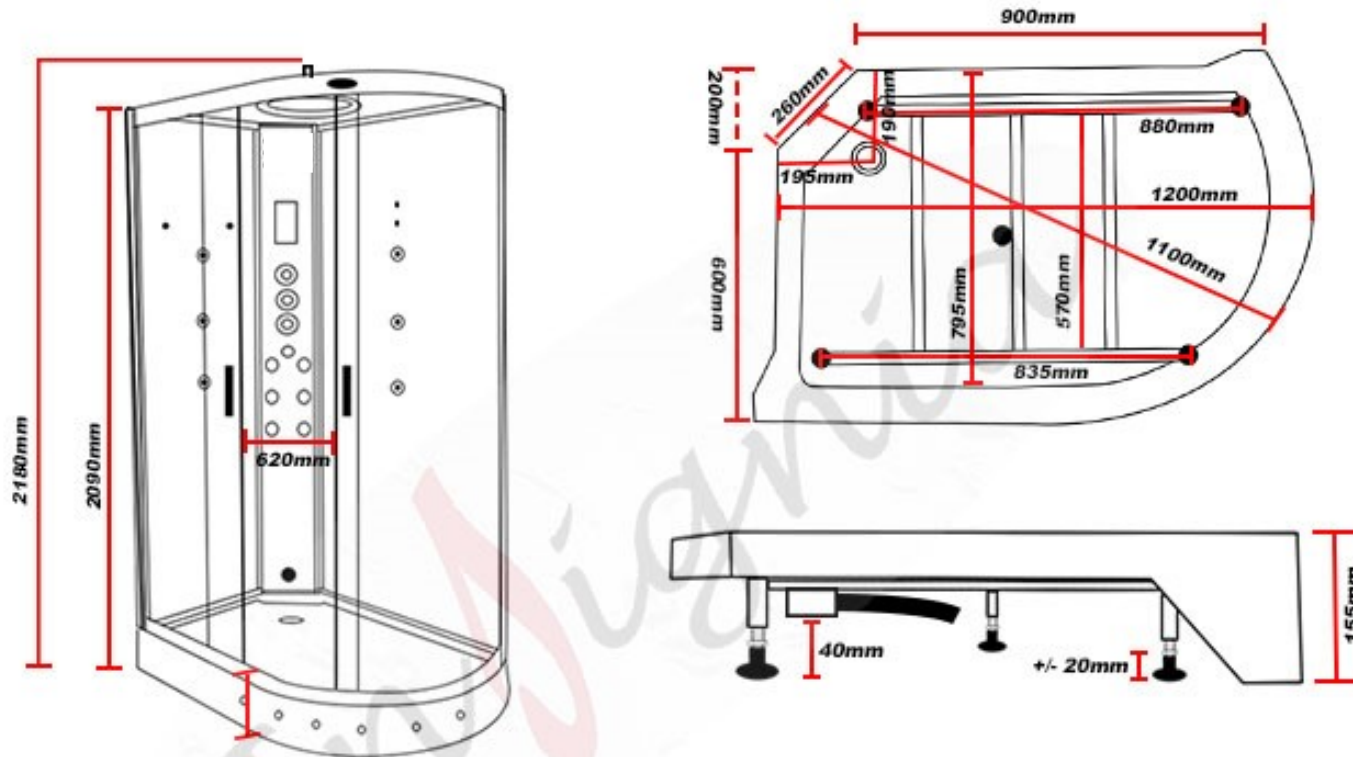
Please Remember that this product is free standing and is designed to be pulled away from the wall.

The waste hose must be of a flexible type (1m flexible waste supplied).

The water supply pipes need to be at least 1 metre in length and must be that of a flexible braided type (not supplied).

**DO NOT OVERTIGHTEN THE BRAIDED HOSES AS IT CAN CAUSE THE CONNECTION TO POP AFTER A FEW WEEKS OF USE**

# GT5000L



Please ensure you have at least 400mm each side of your shower for assembly and servicing



Internal Height for this shower is 2000mm 6'6"

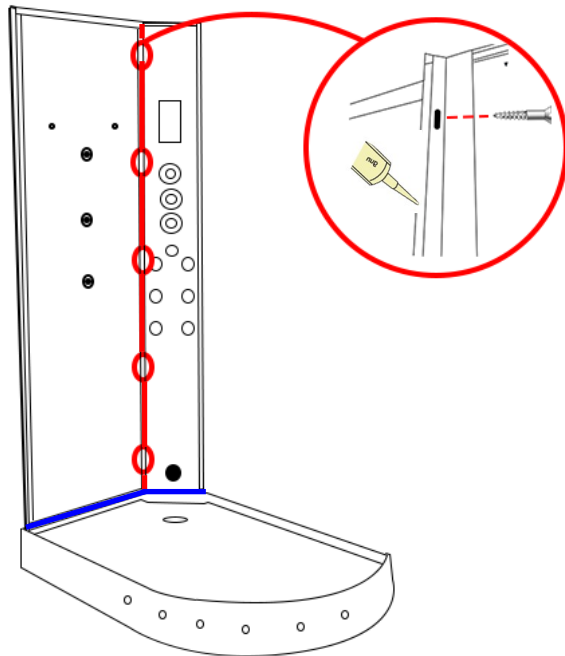
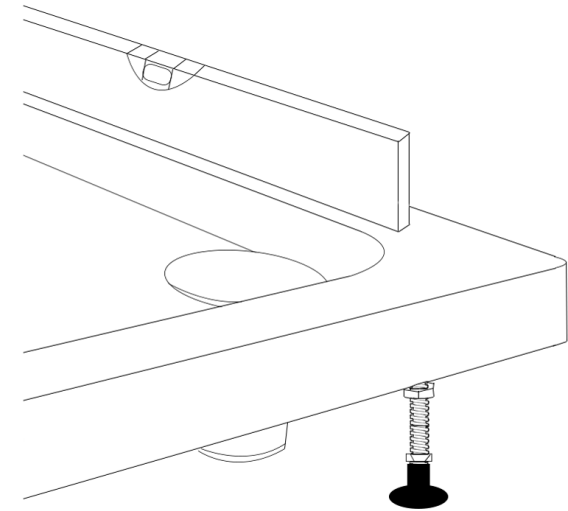
Whilst we endeavour to ensure our measurements are correct they should be used as a guide only. Insignia accept no responsibility as size, design and specification may change without prior notice.

### TO START

Make sure you have a clear space, remember when finished and in place you need access to check your build and able to pull the shower out for servicing or should you have the need to replace anything!

Take the shower tub and remove all the protective wrapping and fit the waste. In the side of the waste supplied in the optional fitting kit you will notice a spigot not seen on an ordinary waste. In most cases this is blanked yet should you have a steam version you need to gently drill this out as this item is for the steam generator drainage and will be connected in the instructions later.

Now please level the tray by firstly placing the tray in its final location and then using a spirit level, adjust the tray feet accordingly. Once you are happy with the levelling of the tray, you can pull it out to begin the main construction.



#### Step 1

Attach the small hand back panel to the back column.

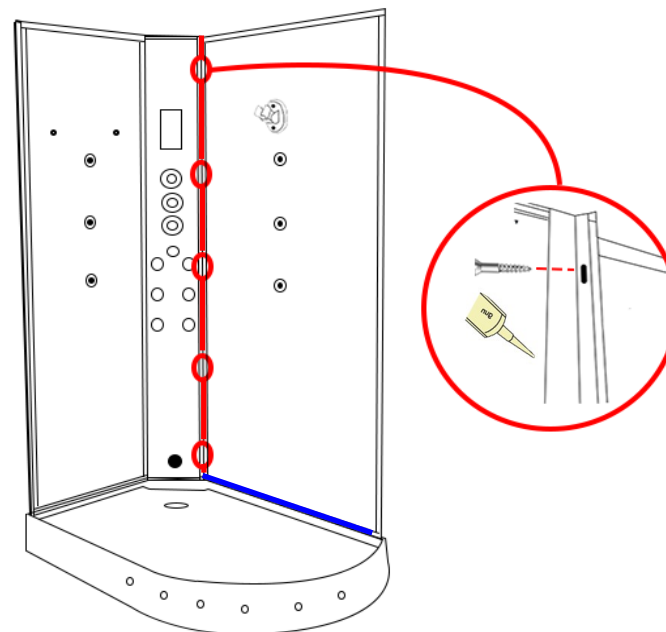
Once you are happy with the alignment, run a bead of **silicone** up the edge and apply **Rubbergum** along the bottom of the panels and screw together using the **ST20**

(please note, if your column has a rubber seal at the bottom, take the rubber off and apply silicone inside the rubber and replace)

**Step 2**

Now attach the large back panel to the column.

Once you are happy with the alignment, run a bead of **silicone** up the edge and apply **Rubbergum** along the bottom of the panels and screw together using the **ST20**



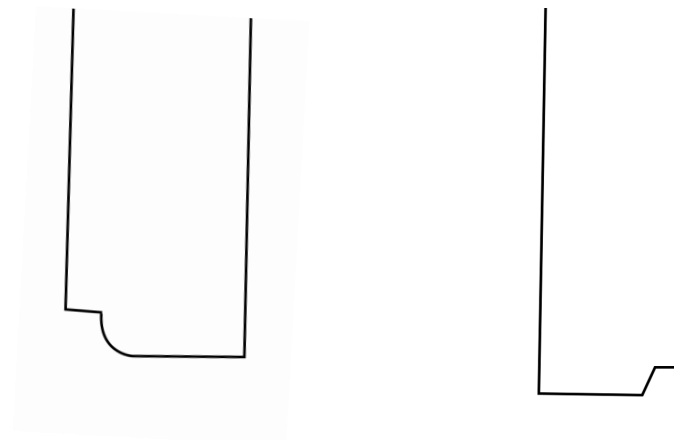
**Step 3**

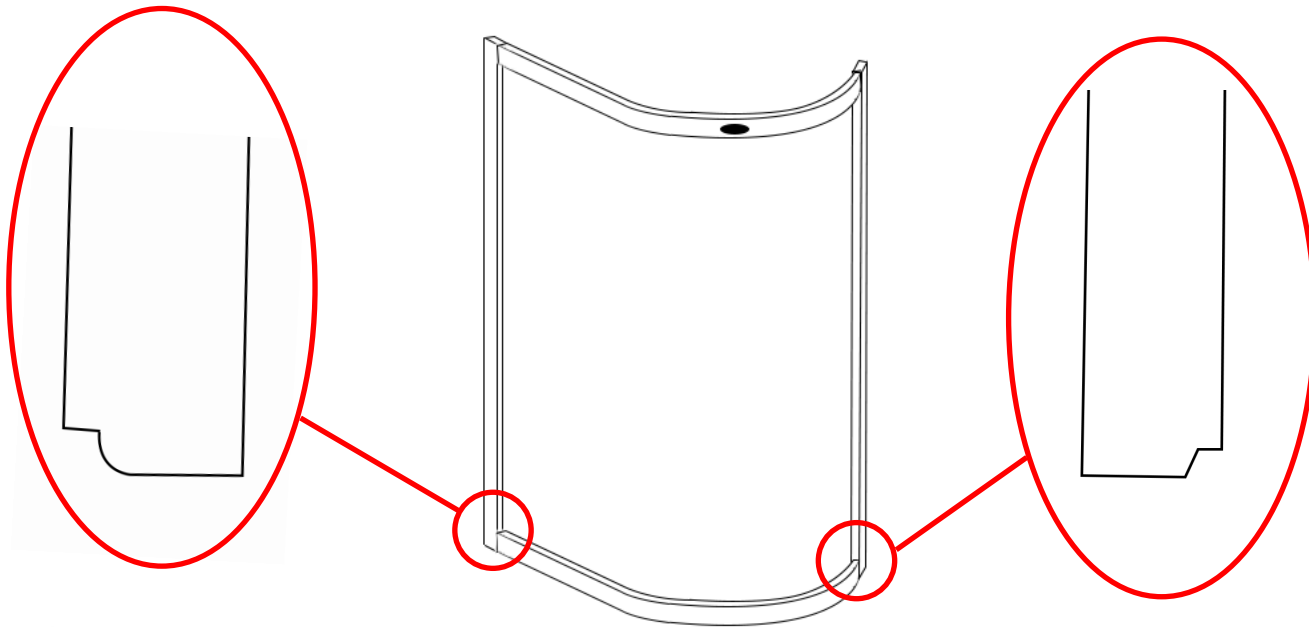
Front Fixed Uprights.

**PLEASE NOTE:**

The uprights have small grooves cut out, please see diagram. These are designed to go at the bottom, connecting to the tray.

Please see next page for positioning on the tray!

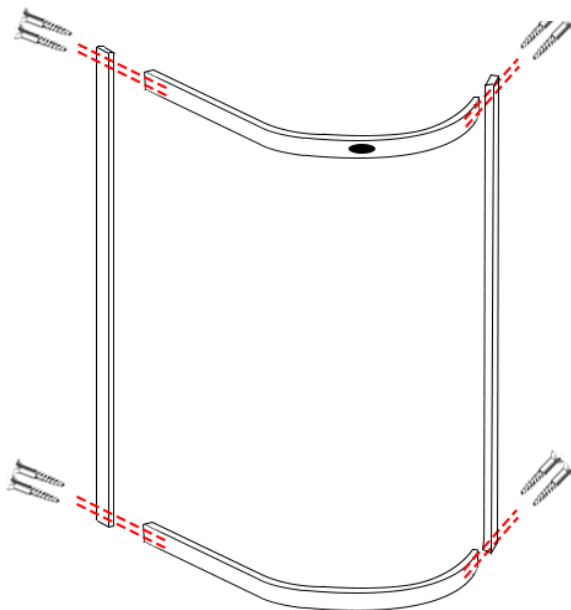




**Step 3 (Continued)**

Please Note:

With the groove sitting on the tray, you need to have the "U" shaped channel facing inwards to allow the glass to be inserted correctly.



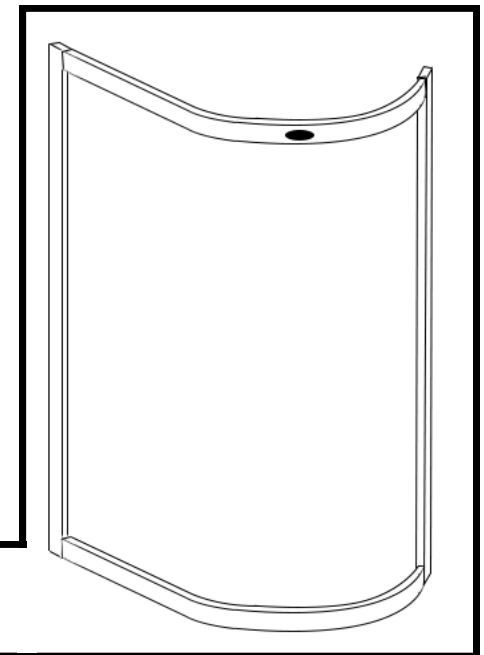
**Step 3 (Continued)**

The next step is to attach both front uprights to the curved rails using the **ST35** screws as shown in the picture to the left

**PLEASE NOTE**

The screw head needs to bypass the **OUTER** hole. If this does not occur please bore out the outer hole only by about 2-4mm

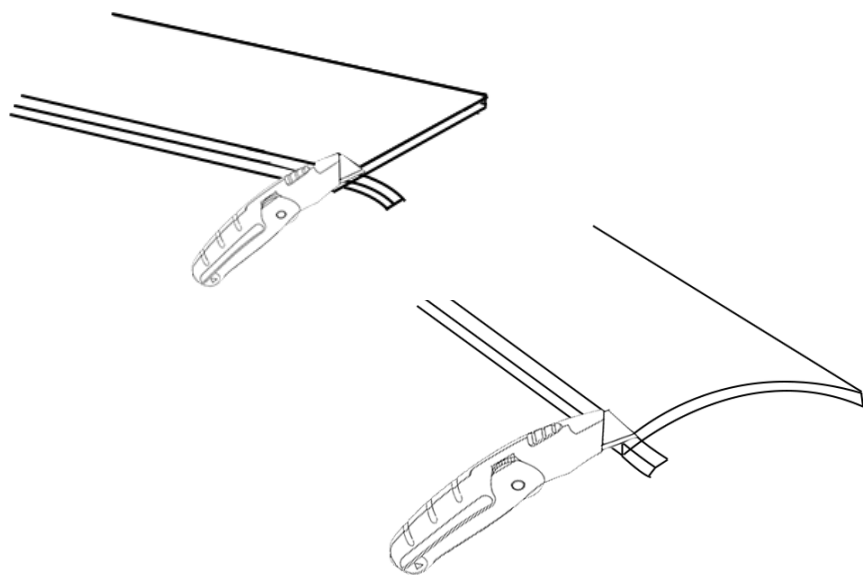
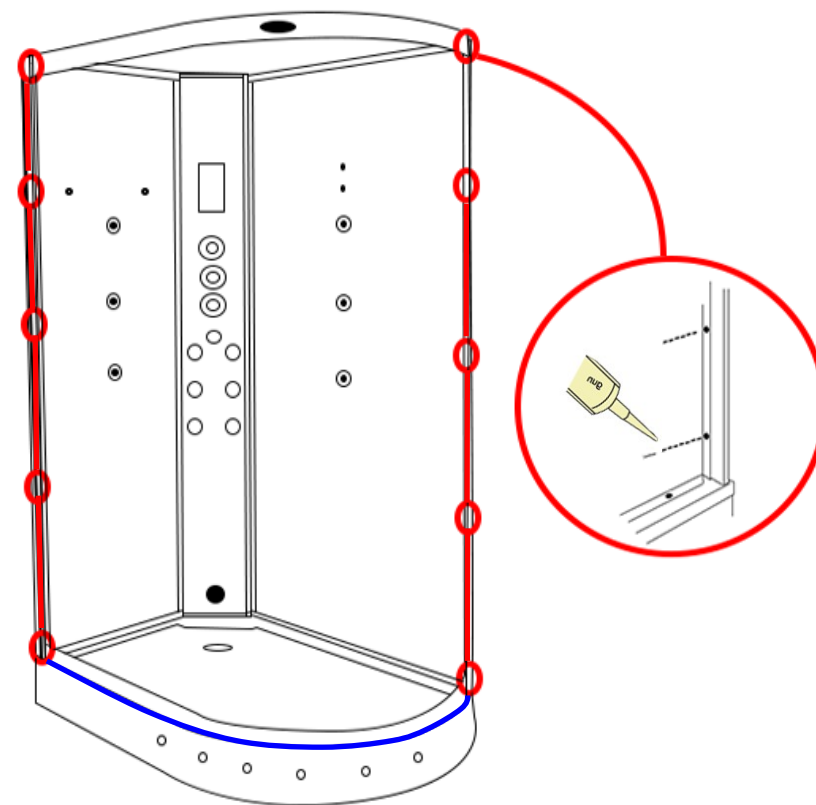
Your front metal work should now look like this



### Step 4

Now attach your front metal work to the fitted back panels.

Once you are happy with the alignment, run a bead of **silicone** up the edge and apply **Rubbergum** along the bottom of the panels and frame and screw together using the **ST20**

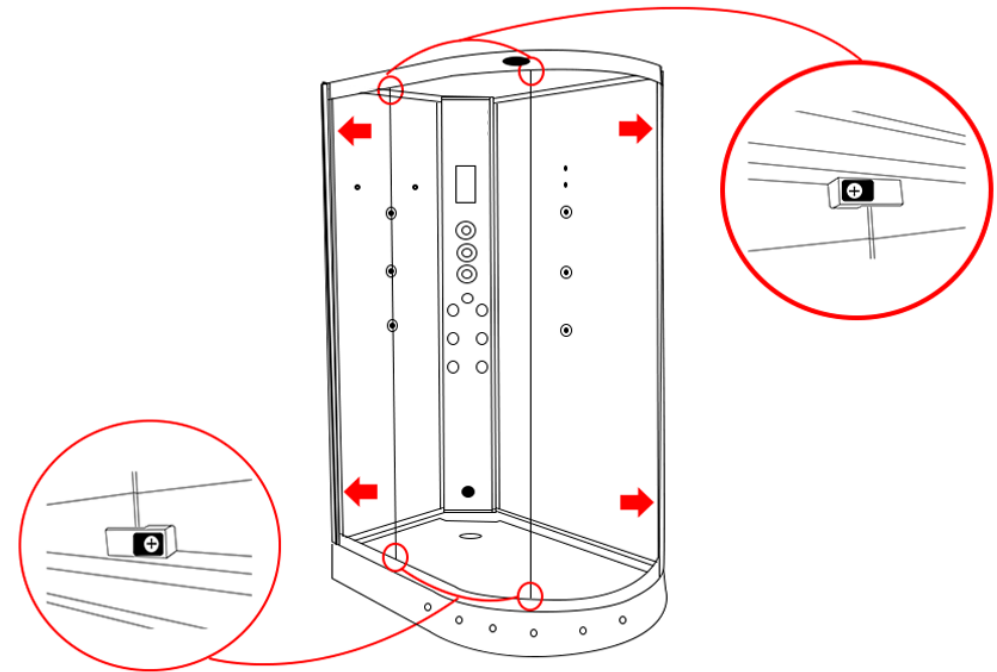
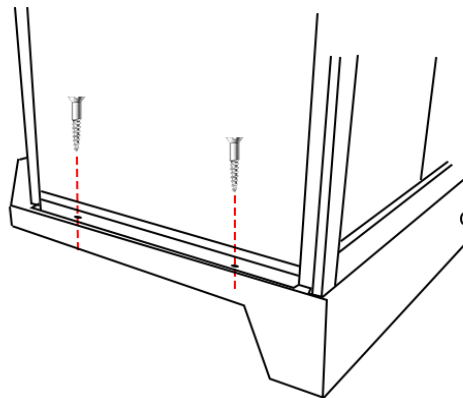
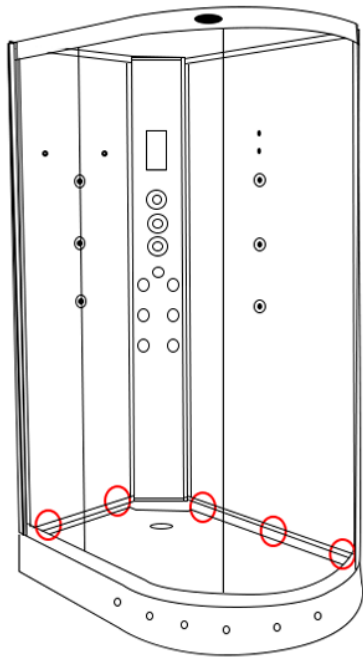


### Step 5

Next attach the “U shape” rubber glass seal to the outer edge of the curved and the straight fixed glass panels and cut any excess of if required.

### Step 6

With the frame now attached to the back panels, locate and fix the glass panels into place by pushing them as per the arrows in the adjacent image. Making sure the edge of the glass with the rubber seal fits into the groove tightly. Now screw the glass retaining clips into place using the **ST14** screws making sure the glass has a tight fit

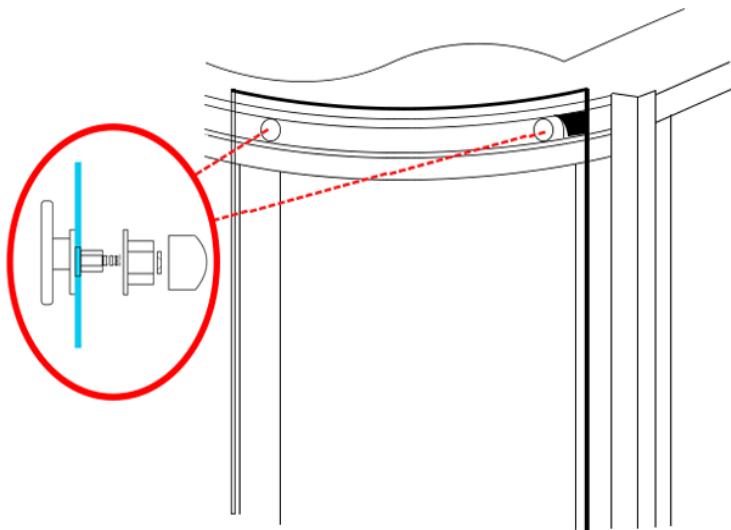
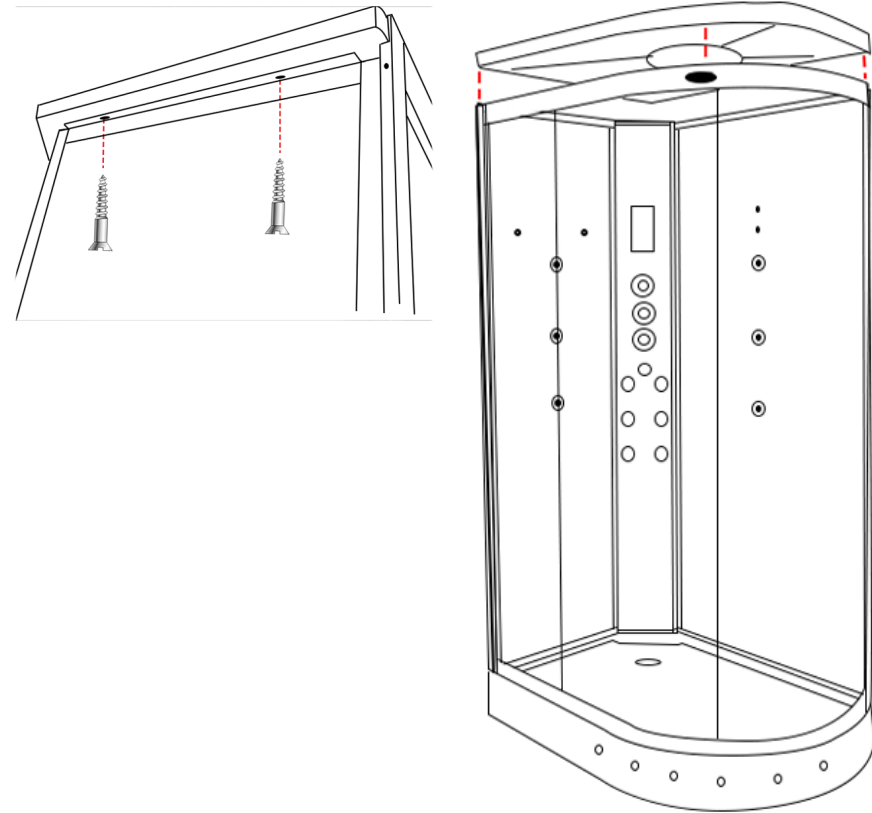


### Step 7

Using the **ST25** screws, ensure the back panels are square and you are happy with the position of the panels then screw into place

**Step 8**

Next locate the roof into position. Once you are happy with the positioning of this, screw into place using the **ST25** screws,

**Step 9**

Fit the adjustable wheels to the top and bottom of the glass doors and ensure the wheels are at their lowest position and hang on the inner curved rails with the wheels facing the outside of the glass.

Once all wheels are fitted and on the rails you can adjust the wheels by turning the plastic bolt clockwise in which in turn will pull the wheels towards the track ensuring a secure a tight fit.

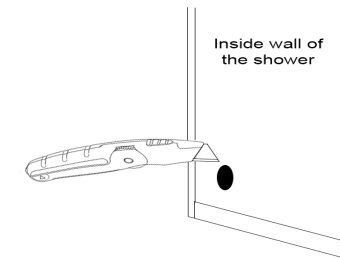
Now grease the track to ensure a smooth and long lasting operation  
(not supplied)



# Accessory Installation

## Please Note

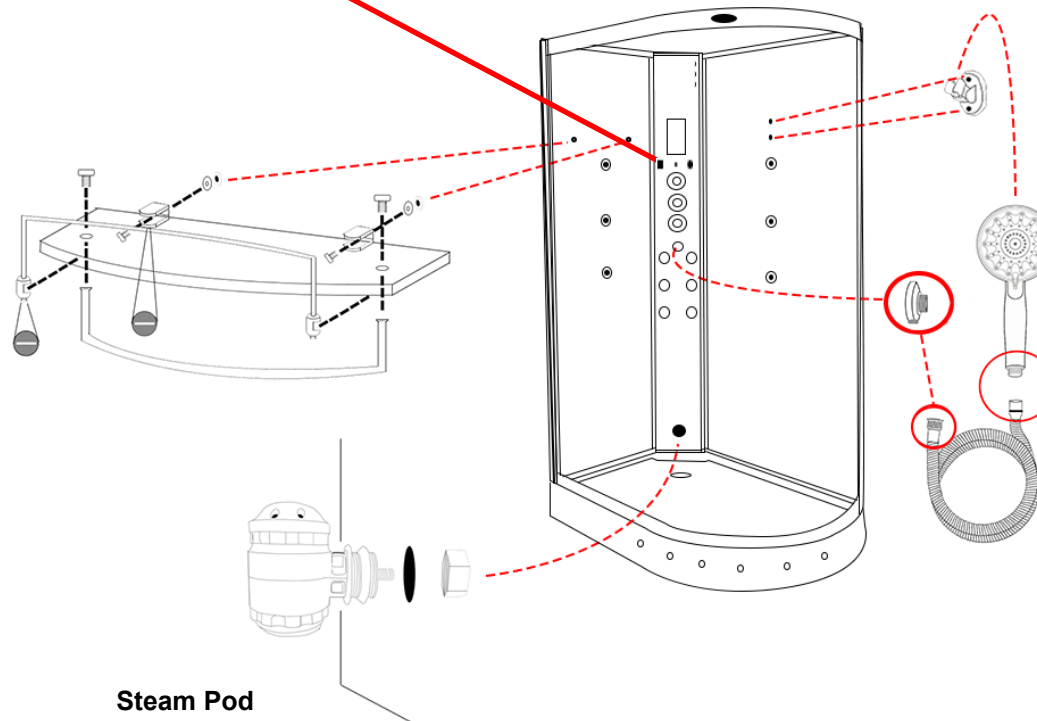
Ensure all grey backing film on the rear of the glass panels are pierced through the existing glass holes with a knife to provide an efficient smooth fitting and location of the accessories. We recommend using a screwdriver on the smaller holes.



## Shelf

Fix the chrome floating shelf brackets to your glass back panel by using the provided screws. Now attach the chrome tubed bars to your glass shelf as illustrated in the below image. Next slide the shelf into your shelf brackets and secure by tightening the grub screw situated on the bottom of the bracket.

Please see your AMI system installation guide for further details



**Steam Pod**

Insert the pod from the inside of the shower and attach large white nut from the rear.

## Hand Shower

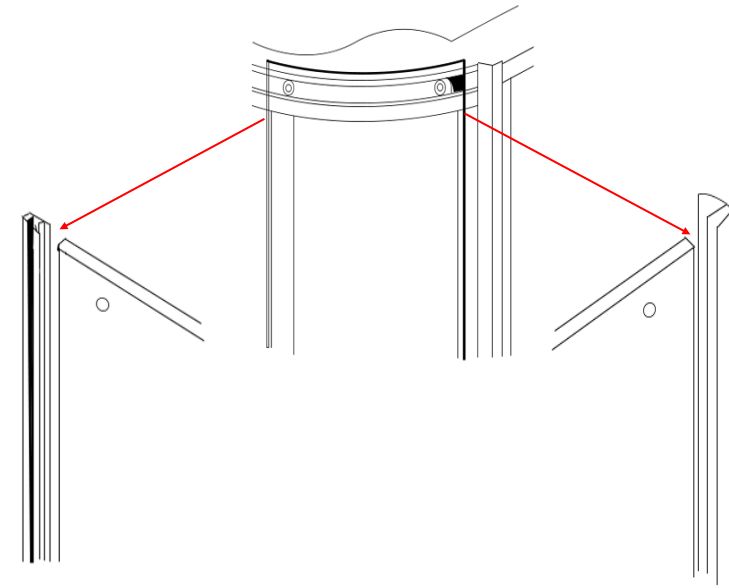
1. Attach the chrome holder to the back wall via the 2 screws provided in the pack.
2. Attach the chrome water outlet to the back of the centre column, fixing it from the rear with the plastic hex nut.
3. Attach the chrome flexible hose to the water outlet with via small coupling end
4. Attach the other end (sleeved) to the hand shower and place in to the holder.

NOTE: If you attach the wrong end of the hose to the hand shower it will not sit in the holder.

### Door Seals

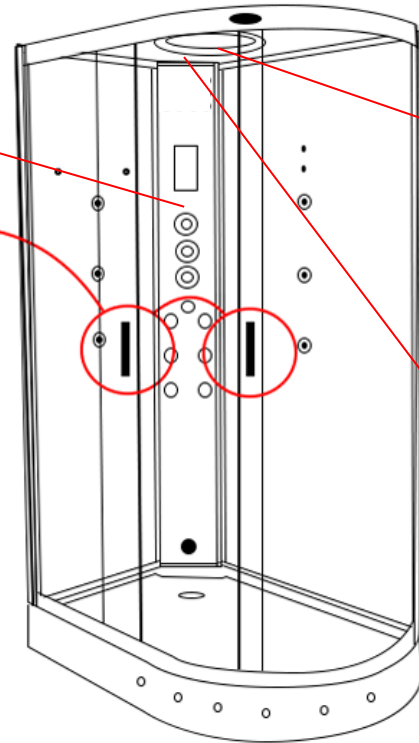
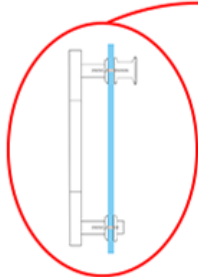
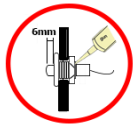
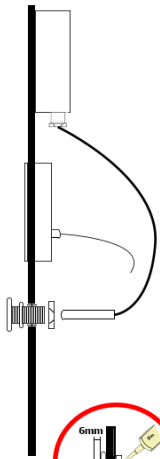
**Magnetic Seal:** Push the magnetic door seal on the handle side of the glass door ensuring this is tightly fitted.

**Rear Door Seal:** Place the rear door seal on the opposite side to the magnetic strip ensuring the flap is facing the fixed glass panel



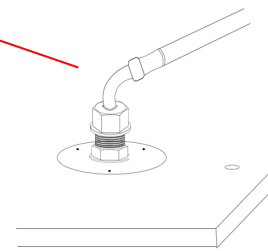
### Thermostatic Probe

Insert the chrome sleeve into the hole situated below the control panel and secure in place with the retaining nut. Insert the rubber grommet into the sleeve and push the probe through from the rear of the cabin ensuring the probe protrudes no more than 6mm. Place a small amount of silicone behind to fully secure in to place.



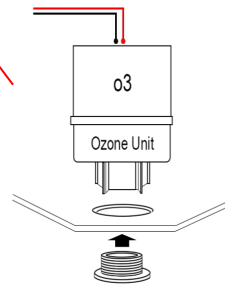
### Handle

Ensuring that the inner thread is protruding out from the handle far enough, place the handle on the outside of the door and secure by tightening the inner chrome knob to the protruding inner thread.



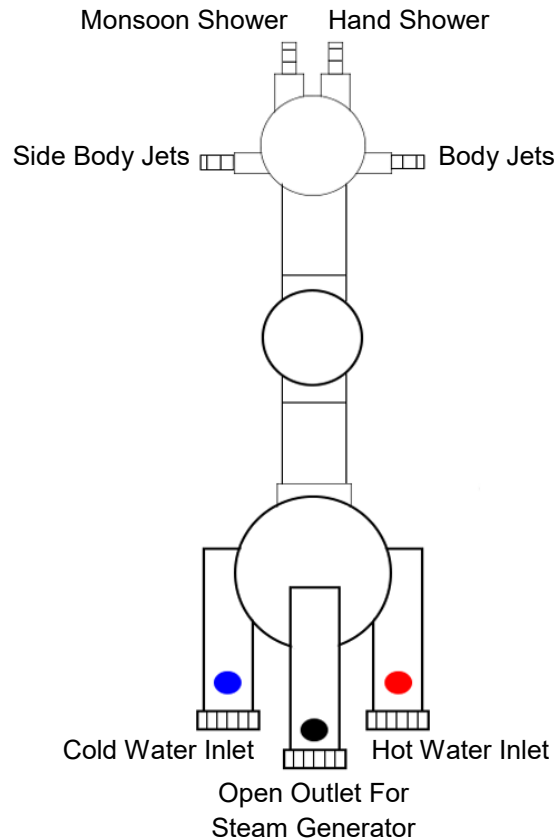
### Monsoon Head

Attach the grey hose from your valve to the inner black tube using PTFE tape (please note this only needs to be hand tight. Over tightening will snap/damage the inner black tube)



### Ozone (o3)

Unscrew the chrome pepper pot end and drop the white box upside down into the rear hole as shown in the image. Now from the inside of the shower re-attach the chrome pepper pot end and tighten.



### Shower Valve

**Connect the hoses to the corresponding inlets on the back of the shower.**

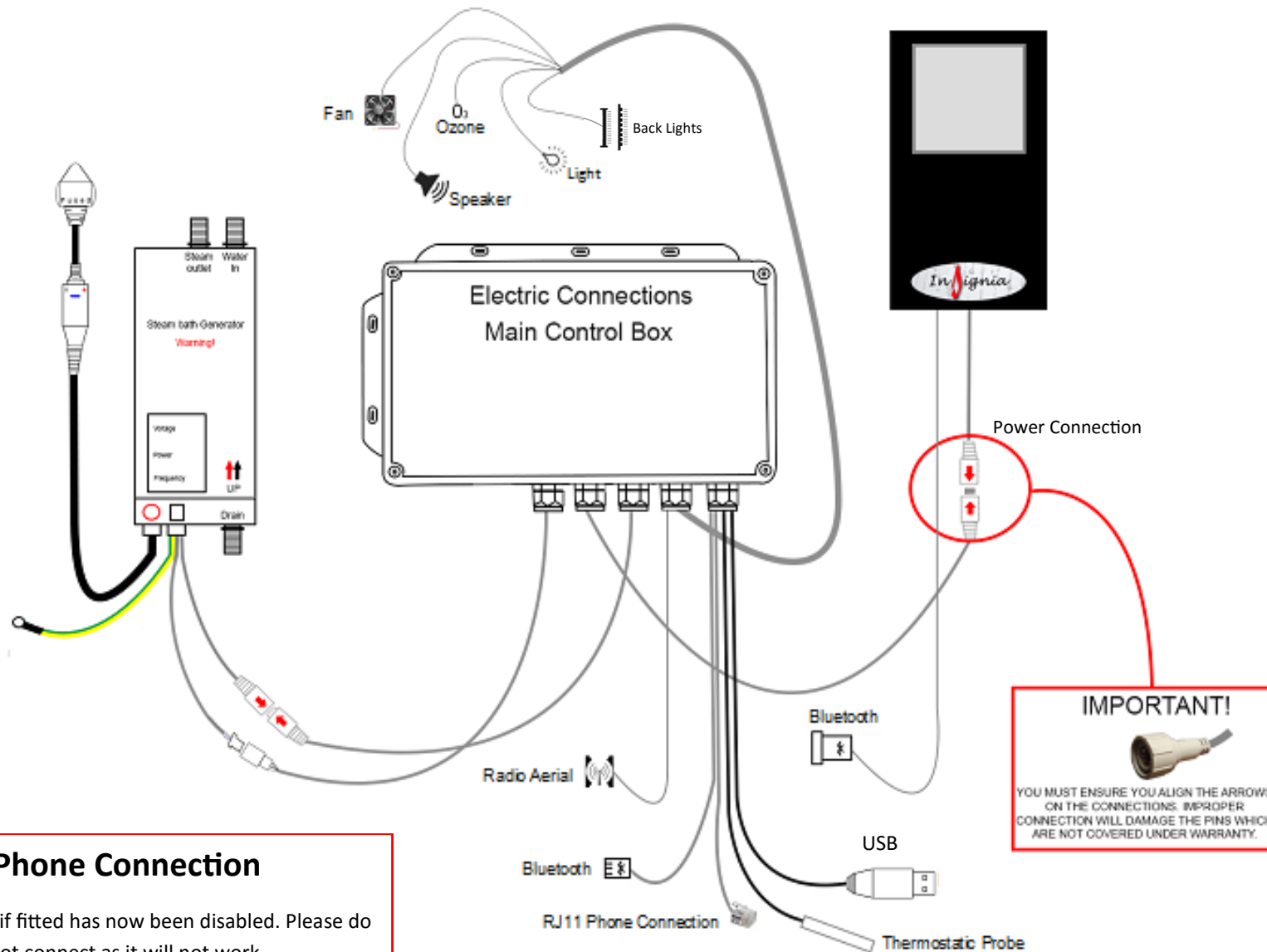
Device output may differ from the image. Please refer to your outer chrome faceplate inside your Insignia shower as a reference point.

**IF YOUR DIAL DOES NOT CORRESPOND TO THE APPROPRIATE DEVICE:**

Turn on your water to the shower and note which output the water exits from then turn off the water and swap over the relevant hose.

Alternatively remove the outer chrome knob by removing the chrome cap and loosening the grub screw (please ensure not to unscrew fully as this will drop within the chrome knob) this is found on the opposite side to the chrome pillar. Once you have succeeded in loosening this you can now slide your faceplate to correspond to the device.

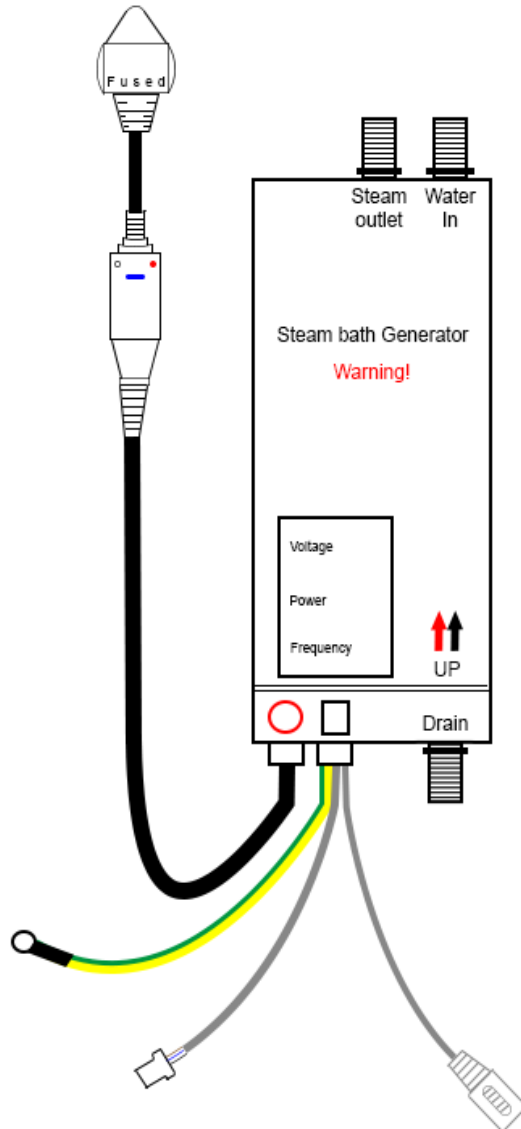
# Electric Box Connections



**Phone Connection**  
This feature, if fitted has now been disabled. Please do not connect as it will not work.

**IMPORTANT!**  
YOU MUST ENSURE YOU ALIGN THE ARROWS ON THE CONNECTIONS. IMPROPER CONNECTION WILL DAMAGE THE PINS WHICH ARE NOT COVERED UNDER WARRANTY.

## Steam Generator Connections

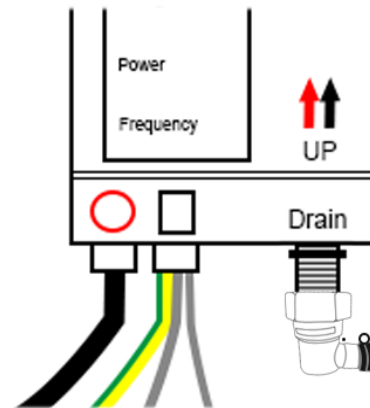


**The steam generator has 3 connections.**

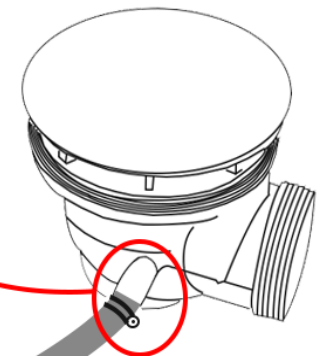
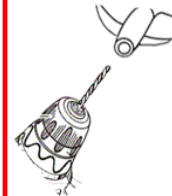
**Steam Outlet:** Connect the white insulated hose to the white steam pod within your shower. Make sure these are fitted in the correct position as they are only attached for transportation reasons only.

**Water Inlet:** Connect a braided hose from the shower valve's centre feed to this opening.

**Drain:** Connect the grey rubber hose from the steam generators drain opening to the nozzle on the shower waste (as shown in the below image)



**IMPORTANT!**  
In order for your water to waste from the steam unit you must ensure the spigot has been drilled open. All new showers should have this pre-done, however if not simply run an 4mm drill piece down the spigot which will open it up.



## Silicone Seal where shown in red on the inside of the shower

### TESTING FOR WATER LEAKS

**LEAVE THE SHOWER 24 HOURS AFTER BUILD TO ALLOW SEALANT TO CURE AND ENSURE THE SHOWER IS AWAY FROM ITS FINAL POSITION TO ALLOW REAR VIEWING**

Ensure all connections are tight and sealed including the waste, body jets and steam outlet (model dependent) on your shower. Switch on the overhead shower NOT the massage jets, remember these will fire water out at you and are not suitable for checking leaks as they would normally only operate when a person is in front of them. DO NOT AIM THE HAND SHOWER AT THE JOINTS OF YOUR SHOWER AS THIS DOES NOT FALL UNDER "NORMAL EVERYDAY USE". Adjust the feet to ensure the direction of the water flows towards to the waste to prevent puddling.

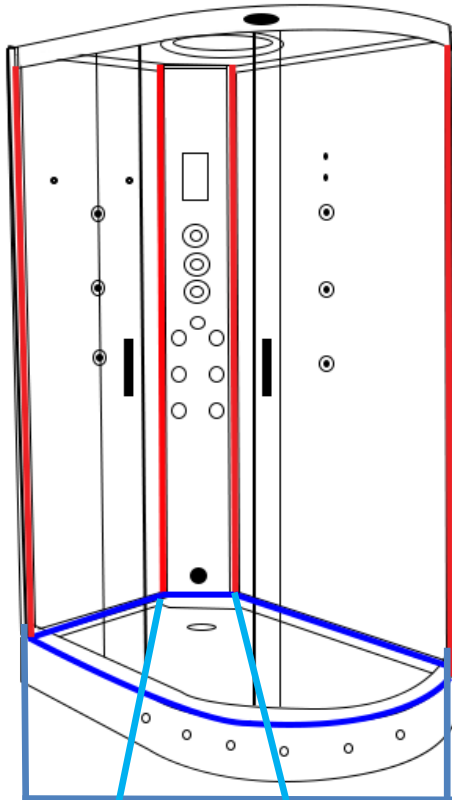
Just use COLD water setting as hot will make cabin misty and condensate thus the inspection becomes very difficult. Now on the OUTSIDE of the shower inspect each joint, factory seal, hose, clip and jet by walking from one side and going around to the back and then to the other side finishing at the front. If you have a small leak (normally caused through insufficient sealer or air bubble on assembly, dry the area thoroughly and reseal.

Please remember the location of the water may not be exactly where the leak is as it could have run around to a low point. Never seal your inner fittings unless necessary, remember you will see this for the life of the shower! Again leave to cure and check. Once you are happy check the shower functions i.e. jets for back massage, foot massage and finally hand shower (model dependent) check your joints to these functions at the rear again. Never use the shower until **all** checks have been made and the installer is 100% happy in the knowledge no leaks are present.

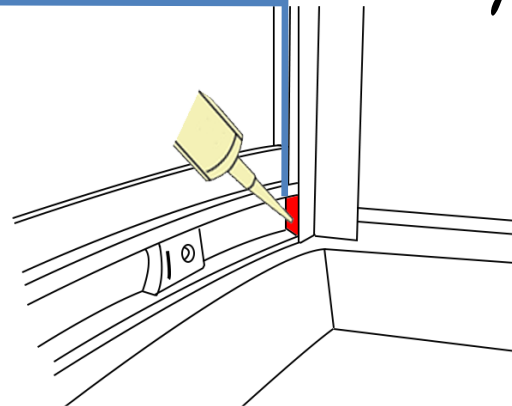
All good?

Now push your shower FROM THE BASE and NEVER THE GLASS OR FRAME into its final resting position.

*Happy Showering!*

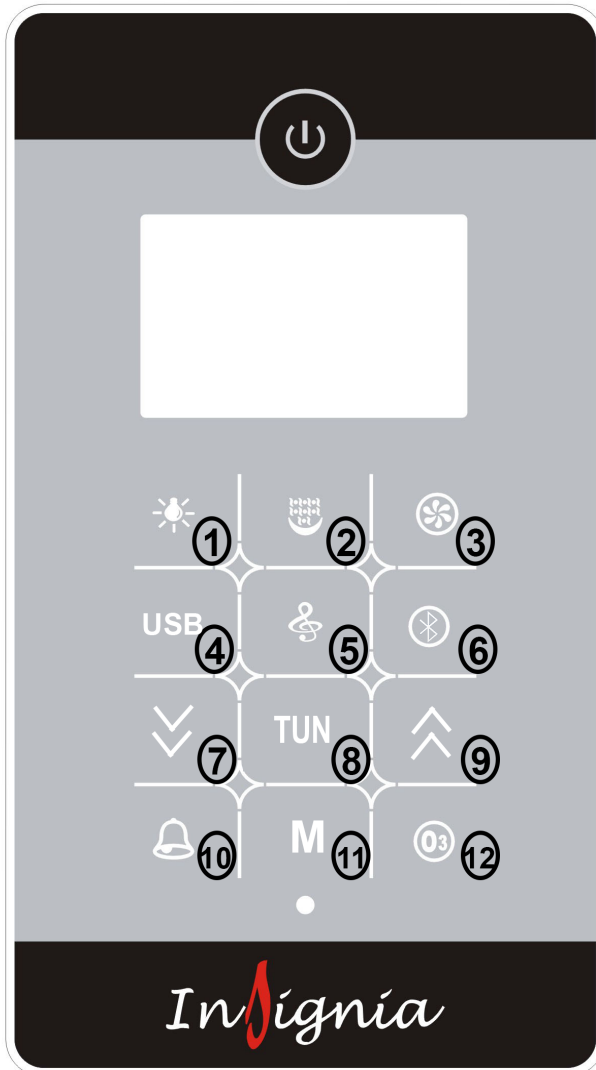


Silicone the area highlighted in red where the glass panel frame meets at the bottom (next to the column)



Silicone fill the area highlighted in red at the end of the bottom runner as indicated in the image on the left.

## MK117U Control Panel Instructions



\*When loading music on to your memory device the play order will be ordered based on the date the files where created.

**Note: The device you are looking to pair is either "INSIGNIA" or SPR-OUT"**

## Need Help?

Then simply download the following "Help" advice booklet found at this link below. This contains many useful items such as is your parts warranty registered, advice on cleaning / servicing your shower cabin, fault finding and many more items. This is a **MUST** to read and not just "HELP". It saves time in nearly all cases, avoiding contact with ourselves as most answers are there for a ready fix!

Simply visit: [www.insigniarange.co.uk/help.aspx](http://www.insigniarange.co.uk/help.aspx)



**INSIGNIA PRODUCTS**  
**HELP I HAVE PROBLEMS AND**  
**NEED ANSWERS NOW!**



**PLEASE KEEP IN SAFE PLACE**

[www.insigniarange.co.uk](http://www.insigniarange.co.uk)



## Parts List

### Internal Items

Part Code	Part Description
SP063	Monsoon Shower head
SP056	Ozone Module (for Steam Showers)
SP003	Monsoon Light
SP048	Massage jet—2 open ends
SP048A	Massage jet—1 open, 1 closed
SP123	Shower Holder
SP216	Shower waste
SP097	Chrome rectangular door handles
SP240	Glass Shelf
SP058	Skirt light
SP058A	End skirt light
SP196	Thermo sensor holder
SP072	Door stoppers
SP008	Door Wheels
SP006	Steam Pod
SP060	Electrical extension cable

SP247	Light Diffuser
SP301	White insulated pipe
SP038	Speaker
SP007	Fan
SP037	Fan & speaker cover
SP204	Bluetooth Control panel
SP203	Blister pack
SP166	Approximately 4 meters of "U Style" seals

### External Items

Part Code	Part Description
SP300	Waste hose
SP187	Drain Hose
SP208	MK117U Electric box
SP232	Vertical steam generator
SP308	Magnetic door seals
SP310	Rear door seals
SP153	3 port—3 feed thermostatic valve
SP126	4 Port Selector Cartridge
SP045	On/Off Water Mixer Valve
SP182	Vernet Screw Fit Thermostatic Cartridge
SP043	Plastic Thermostatic

### Framework (Left hand)

Part Code	Part Description
GT5000L—13	Left Upright (straight)
GT5000L-3	Right Upright (Angled)
GT5000L-1	Blank column
GT5000L-4	Top rail
GT5000L-5	Bottom rail
GT5000L-19	Blank roof
GT5000L-2	Tray

### Glass (Left Hand)

Part Code	Part Description
GT5000L-15	Curved door
GT5000L-18	Flat door
GT5000L-10	Large Black Backwall
GT5000L-8	Small Black Backwall
GT5000L-11	Large Mirrored Backwall
GT5000L-9	Small Mirrored Backwall
GT5000L-12	Large White Backwall
GT5000L-7	Small White Backwall
GT5000L-16	Curved fixed glass
GT5000L-17	Flat fixed glass

All images are registered with  
ImageTraker

Insignia™ is a registered trademark of Maclean International Ltd

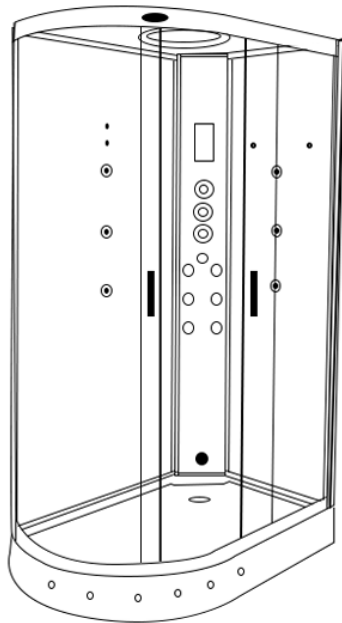
All images are subject to copyright. Images may not be used in any way shape or form with out written permission from Maclean International Ltd. Images are NOT permitted to be saved, printed or uploaded. Violation of copyright laws are punishable by law.



www.insigniarange.co.uk

# INSTALLATION MANUAL

## GT5000R



30 Day Technical Support: 01908 226545

(NOTE: This service is only available to customers from the day of delivery, please have your supplier's details and your postcode to hand before calling)

Replacements Parts: inside of your warranty contact:  
[www.insigniarange.co.uk/customerservice.aspx](http://www.insigniarange.co.uk/customerservice.aspx)

Spares/Replacements Parts: outside of your warranty  
contact 0844 800 3069

**ATTENTION INSTALLERS:**

These instructions must be  
left with the customer

**CHECK ALL CONTENTS BEFORE BUILD COMMENCES. NO RETURNS CAN BE MADE  
ONCE THE BUILD HAS STARTED AS IT IS DEEMED ACCEPTANCE OF PRODUCT!**

WARRANTY REG NO: \_\_\_\_\_

To claim your full 5 year warranty, register your shower within 90 days of delivery at: [www.insigniarange.co.uk/warrantyreg.aspx](http://www.insigniarange.co.uk/warrantyreg.aspx). Standard 12 month warranty applies if outside this time period.

# Contents

<b>Introduction</b>	<b>3</b>
Electrical Requirements	6
<b>What's In The Boxes?</b>	<b>7</b>
Screw Pack Contents	8
<b>Plumbing Requirements</b>	<b>9</b>
Schematics	10
<b>Starting The Installation</b>	<b>11</b>
Electric Box Connections	20
<b>Steam Generator Connections</b>	<b>21</b>
Sealing and Water Testing	22
<b>MK117U Control Panel Instructions</b>	<b>23</b>
Help Book Information	24
<b>Parts List</b>	<b>25</b>



Thank you for your recent purchase of an Insignia shower. Please read this booklet with great care to ensure you get the best out of your build and have a shower that will last for many years to come!

Like everything, in order to obtain a first class product that will serve you well for many years, the effort and correctness put into the assembly will reflect in the quality of your finish.

**OUR BADGE RATING IN TERMS OF DIFFICULTY OF ASSEMBLY IS BASED ON CLIENT FEEDBACK**

1 Badge = Very easy

2 Badges = Easy

3 Badges = Moderate

4 Badges = Harder than average

5 Badges = Professional skills required

This shower is rated 3 Badges



### **ASSEMBLY AND PLUMBING**

THIS PRODUCT BUILD IS RATED SUITABLE FOR DIY PURPOSES PROVIDING THE CUSTOMER IS OF ABOVE AVERAGE SKILL AND FEELS CONFIDENT IN THEIR ABILITY. ONLY YOU THE CUSTOMER WILL KNOW THIS SO BEFORE ANY ATTEMPT IS MADE TO ASSEMBLE, READ THROUGH THE FOLLOWING PAGES IN DETAIL THEN DECIDE. IF YOU HAVE ANY DOUBT USE THE SERVICES OF A PROFESSIONAL. IN PICKING SUCH, ALLOW THEM TO DECIDE IF THEY ARE CAPABLE OF BUILD BY FIRST SHOWING THESE INSTRUCTIONS TO THEM. ALWAYS GET THREE QUOTES.

REMEMBER THE BEST IS NOT ALWAYS THE CHEAPEST!

REMEMBER PLUMBERS PLUMB! 90% OF THIS JOB IS NOT PLUMBING!

**DUE TO THE NATURE OF THIS PRODUCT WE HIGHLY ADVISE THE PURCHASE AND FITTING OF A WATER SOFTENER**

(PLEASE NOTE LIMESCALE BUILD UP MAY CAUSE DAMAGE TO YOUR SHOWER AND WILL NOT BE COVERED UNDER WARRANTY)

### **ELECTRICAL CONNECTION TO HOUSE MAINS**

WHEN YOUR ITEM IS ASSEMBLED ALWAYS USE THE SERVICES OF A FULLY QUALIFIED ELECTRICIAN COMPANY TO COMPLETE THE CONNECTION FROM SHOWER TO THE HOUSE SUPPLY. LAWS DEMAND IN MANY CASES YOU DO THIS AND YOUR WARRANTY IS VOID IN REGARDS TO THE ELECTRICAL ITEMS IF THIS IS NOT UNDERTAKEN.

YOURS AND OTHERS SAFETY IS PARAMOUNT. **NEVER ATTEMPT THIS YOURSELF!**

### **REMEMBER:**

These showers are designed to be free standing and movable from their location should you have the need to replace anything. **ALWAYS USE** Flexible braided water inlet pipes (not supplied) at least a metre long (not central heating plastic type!)

Always use a flexible waste pipe from your house supply to the shower .

**NEVER FIX** with rigid pipes, **NEVER FIX** the unit to the wall.

**DURING BUILD, LIKE ALL SHOWERS CORRECT SEALING IS IMPERATIVE.**

**If you are using Insignia's RubberGum, please ensure the product does not come in contact with your silicone as this will cause the RubberGum to fail and will not adhere as intended.**

## **ATTENTION**

**ALWAYS FIT EASY TO GET TO ISOLATION TAPS ON BOTH THE HOT AND COLD WATER SUPPLY (NOT SUPPLIED). JUST LIKE A DISHWASHER OR WASHING MACHINE, THIS PRODUCT MUST BE ISOLATED WHEN NOT IN USE.**

**FLEXIBLE SUPPLY HOSES (NOT SUPPLIED) COUPLE HERE AS ORIGIN OF SUPPLY**

**TOTAL ELECTRICAL REQUIREMENTS**

Voltage Rating	220 -240AC
Frequency Rating	50HZ
Power Rating	2.8KW

Your electrical contractor should understand **ALL** legal requirements of connection before undertaking any work or installation.

**UNDER NO CIRCUMSTANCES UNDERTAKE THIS YOURSELF!!!**

Note for electrician. This product comes with 13 amp plug(s) fitted with an RCD unit. We leave it this way for you to connect this your own way due to continued additions to current regulations. As at October 2010 we offered two methods.

- 1) Connect within current laws and IP directives using plug and RCD provided with steam version or supply one for non steam version
- 2) (Preferred) Wire into isolated fused feed connecting directly to the house consumer/service box. Remove the fitted plug and ensure the Consumer unit has capabilities to replace RCD feature if RCD is removed.

Always use protection against electrical surge. Your shower should be treated the same as a home computer. A surge protector should eradicate the possibility of either the transformer or computer control being burnt out. Please note earth is required and found on chassis of shower tray. A further earth is required from Steam Generator unit. Each earth must ground through power supply line.

## Tool Requirements

None Supplied



Scissors



Stanley Blade



Silicone Gun



Spirit Level



Tape Measure



Philips Screwdriver



Electric Drill

## Adhesive Requirements



Bacteria Resistant Sanitary Silicone - (for vertical joints)

Not Supplied



RubberGum

Supplied



Plumbers Mait (for waste joints)

Not Supplied

## Hardware Requirements



A Steam Shower requires 3 x 1 Metre Braided Hose

Not Supplied



Whilst the next steps show you how to assemble your shower we want to make sure you have a correct build to ensure you get a trouble free shower. Therefore our advice is to follow the instructions and perform a dry run to ensure you are confident with the build and you understand fully how the unit is assembled. When we use the word "DRY RUN" this means you do not silicone anything, just simply construct the shower, align, drill and screw everything together. Once you are happy with the build take the unit apart and carry out the final fix.

## **What's In The Boxes?**

### **Tray Box**

1x Tray  
1x Roof  
2x Curved Rails

### **Glass Room**

2x Door seals  
2x Glass doors  
2x fixed glass

### **Column**

1x Complete Column

### **Backwalls**

1x Left Panel Backwall  
1x Right Panel Backwall

**In addition to above you will have all the required internal accessories to complete the shower**

## Insignia Screw Pack

Product Code	Description	Quantity
SP097	Door Handles	2
SP008	Door Wheels	8
ST20	20mm Screws	20
ST35	35mm Screws	10
ST14	14mm Screws	6
ST25	25mm Screws	10
SW9	Small Washers	20
DB9	Drill Piece	1

**Note: In some cases you may have more screws than needed, this is done so you have spares!**

### VERY IMPORTANT

Have you got everything? If not please contact the Insignia Support Line on 01908 226545. Remember **NEVER** book your tradesman until everything has arrived, been checked and is present. No replacement/missing parts can be obtained free of charge during or after the build. Any claims can only be within the timescale permitted (48 hours after delivery) and always **BEFORE** build.

### Pressure Requirements from your house supply

We recommend a bar pressure between 2.5 and 3.4 BAR. If you have a combi boiler system no problem should be experienced. If you have a gravity feed older type installation (hot water tank type usually less than 1 bar) you will almost certainly need a pump. We cannot advise on which type of pump is used, location or design because all house plumbing layouts vary. This is a job for your installer/plumber. The end delivery however must fall within the scope above.

**Important Note** Do not exceed 3.4 BAR pressure under any circumstances. Warranty is void if so as damage will occur. If you have a combi supply, please use a pressure reducing valve if required to lower the BAR pressure to the shower.

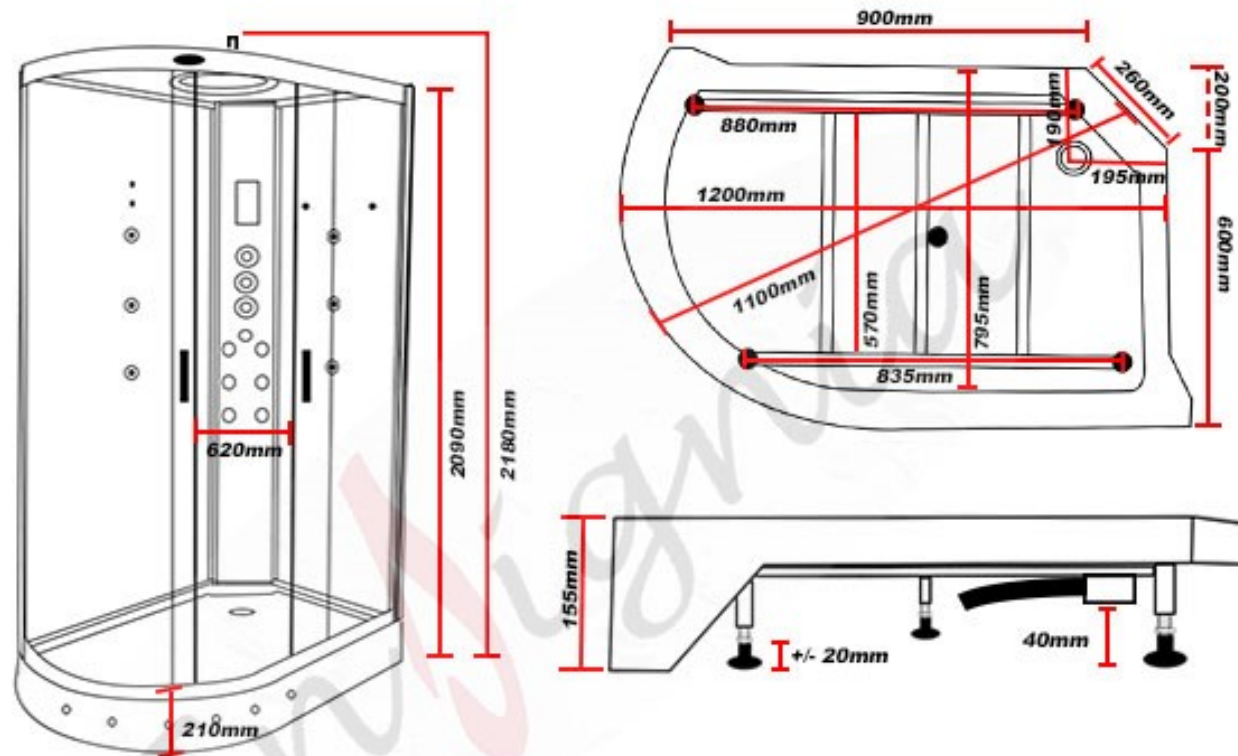
Please Remember that this product is free standing and is designed to be pulled away from the wall.

The waste hose must be of a flexible type (1m flexible waste supplied).

The water supply pipes need to be at least 1 metre in length and must be that of a flexible braided type (not supplied).

**DO NOT OVERTIGHTEN THE BRAIDED HOSES AS IT CAN CAUSE THE CONNECTION TO POP AFTER A FEW WEEKS OF USE**

# GT5000R



Please ensure you have at least 400mm each side of your shower for assembly and servicing



Internal Height for this shower is 2000mm 6'6"

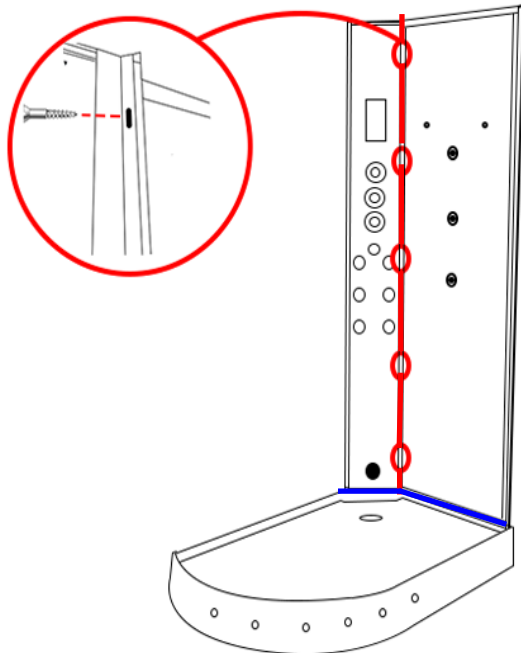
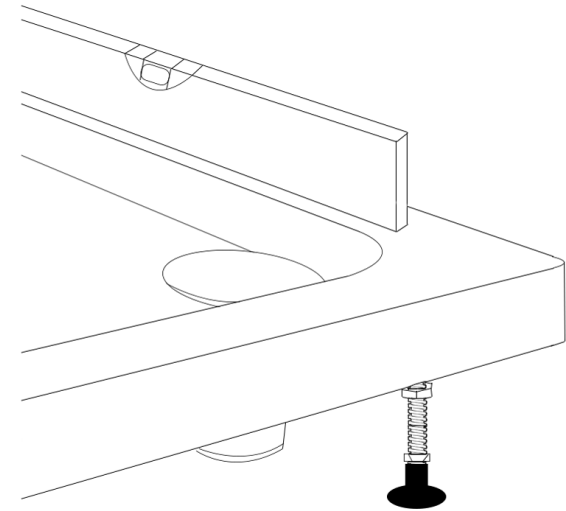
Whilst we endeavour to ensure our measurements are correct they should be used as a guide only. Insignia accept no responsibility as size, design and specification may change without prior notice.

## TO START

Make sure you have a clear space, remember when finished and in place you need access to check your build and able to pull the shower out for servicing or should you have the need to replace anything!

Take the shower tub and remove all the protective wrapping and fit the waste. In the side of the waste supplied in the optional fitting kit you will notice a spigot not seen on an ordinary waste. In most cases this is blanked yet should you have a steam version you need to gently drill this out as this item is for the steam generator drainage and will be connected in the instructions later.

Now please level the tray by firstly placing the tray in its final location and then using a spirit level, adjust the tray feet accordingly. Once you are happy with the levelling of the tray, you can pull it out to begin the main construction.



### Step 1

Attach the small hand back panel to the back column.

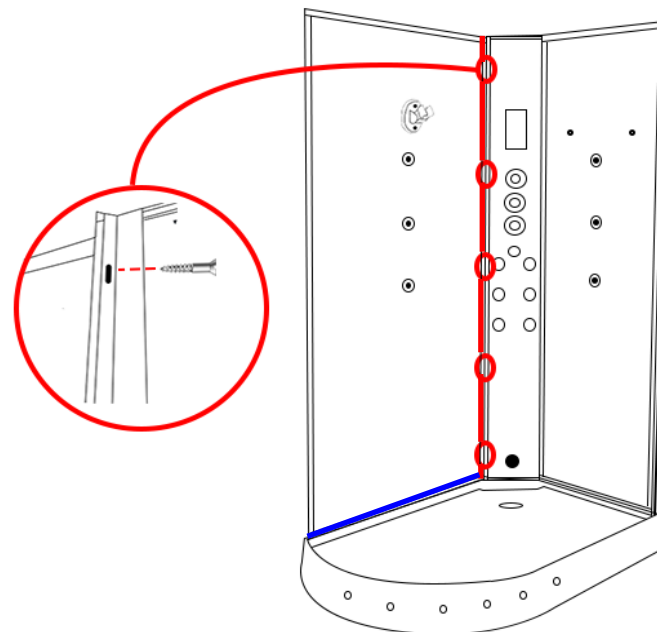
Once you are happy with the alignment, run a bead of **silicone** up the edge and apply **RubberGum** along the bottom of the panels and screw together using the **ST20**

(please note, if your column has a rubber seal at the bottom, take the rubber off and apply silicone inside the rubber and replace)

**Step 2**

Now attach the large back panel to the column.

Once you are happy with the alignment, run a bead of **silicone** up the edge and apply **Rubbergum** along the bottom of the panel and screw together using the **ST20**



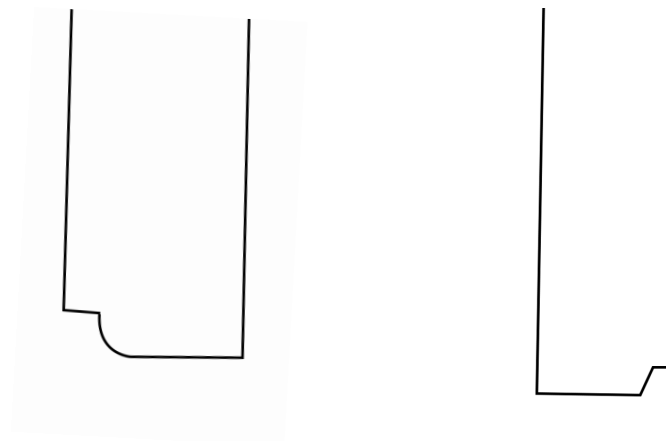
**Step 3**

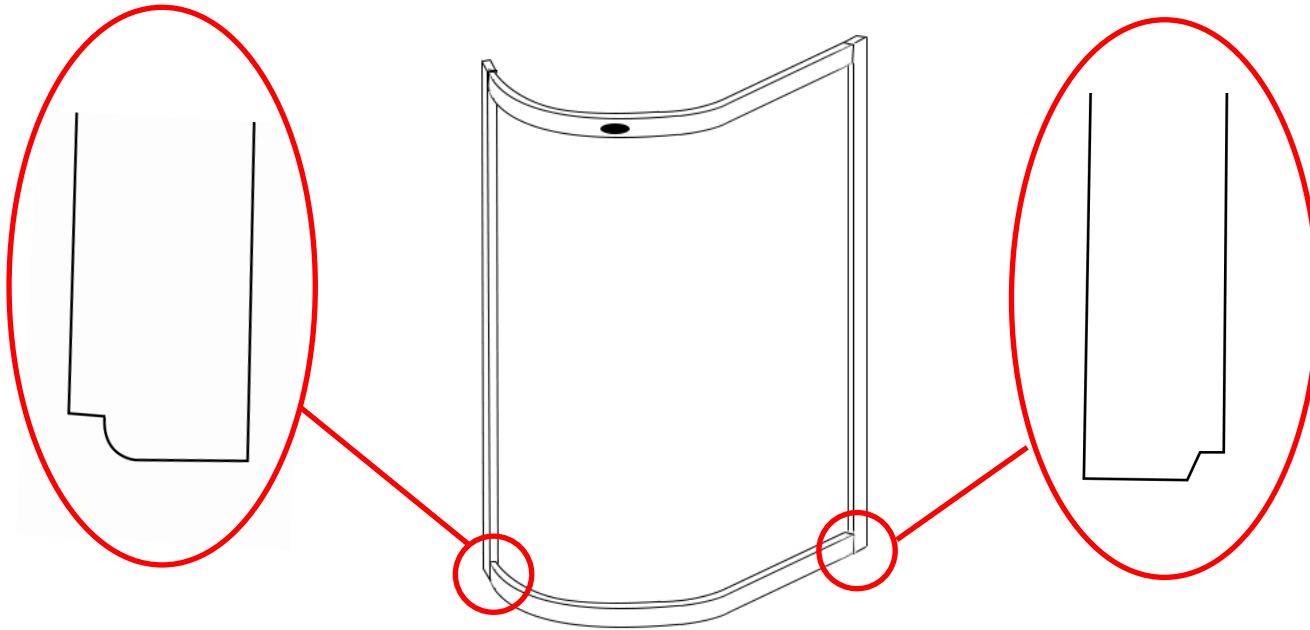
Front Fixed Uprights.

**PLEASE NOTE:**

The uprights have small grooves cut out, please see diagram. These are designed to go at the bottom, connecting to the tray.

Please see next page for positioning on the tray!

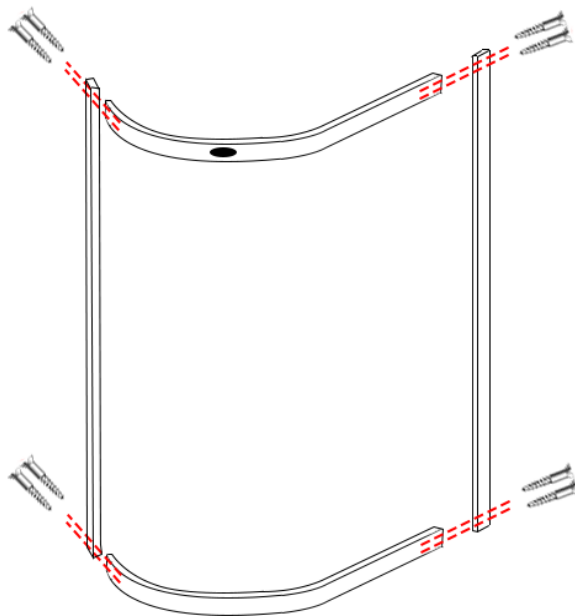




**Step 3 (Continued)**

Please Note:

With the groove sitting on the tray, you need to have the "U" shaped channel facing inwards to allow the glass to be inserted correctly.



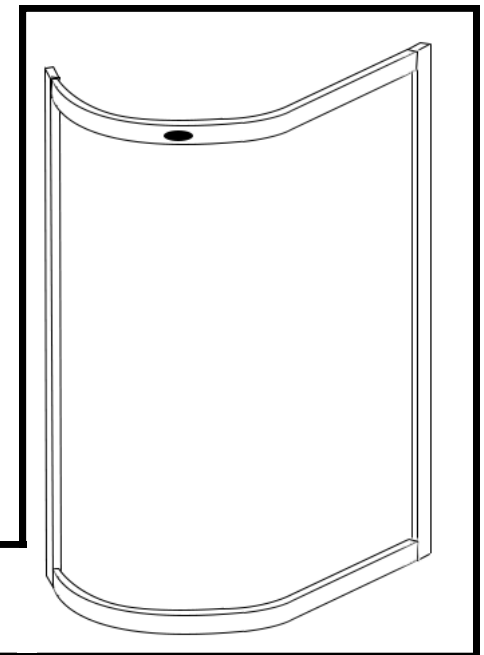
**Step 3**

The next step is to attach both front uprights to the curved rails using the **ST35** screws as shown in the picture to the left

**PLEASE NOTE**

The screw head needs to bypass the OUTER hole. If this does not occur please bore out the outer hole only by about 2-4mm

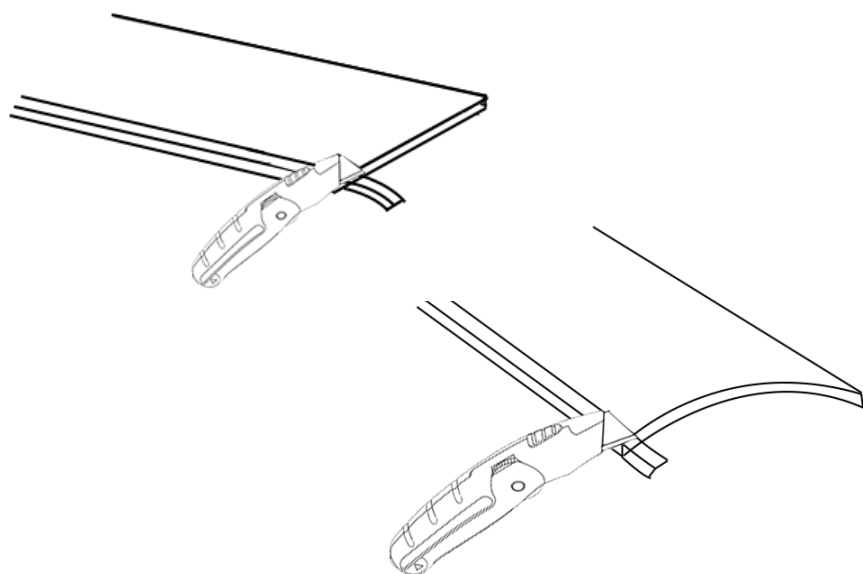
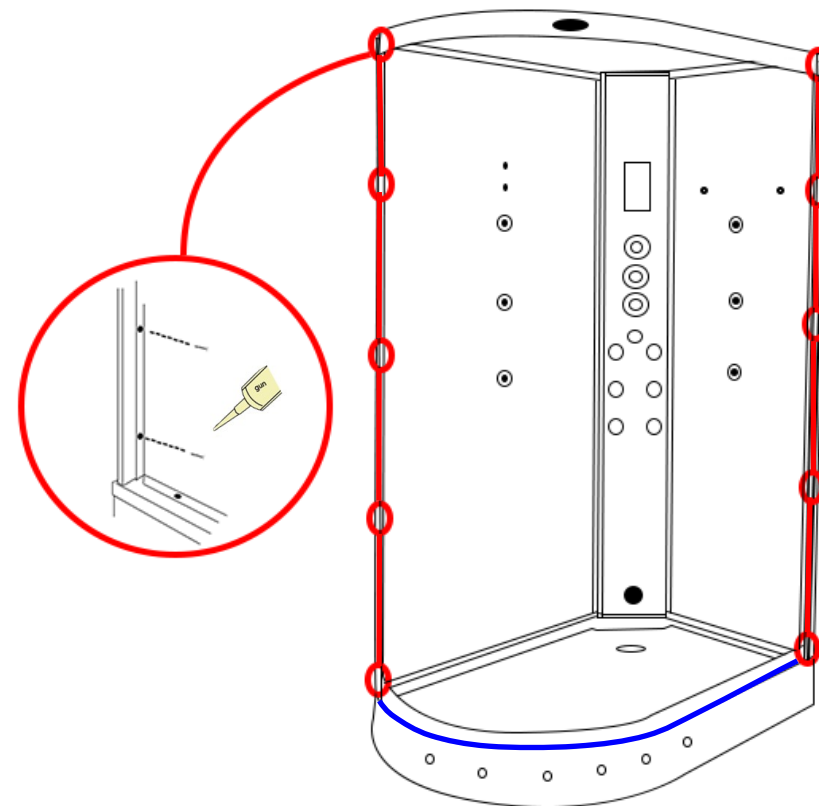
Your front metal work should now look like this



### Step 4

Now attach your front metal work to the fitted back panels.

Once you are happy with the alignment, run a bead of **silicone** up the edge and **Rubbergum** along the bottom of the panels and frame and screw together using the **ST20**



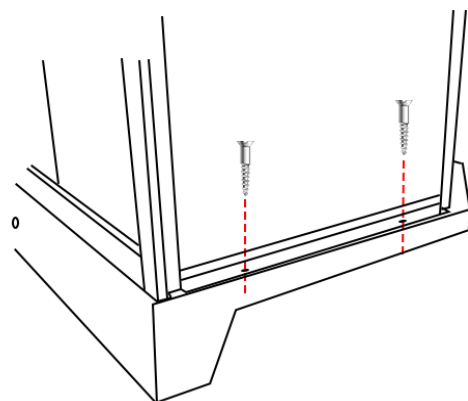
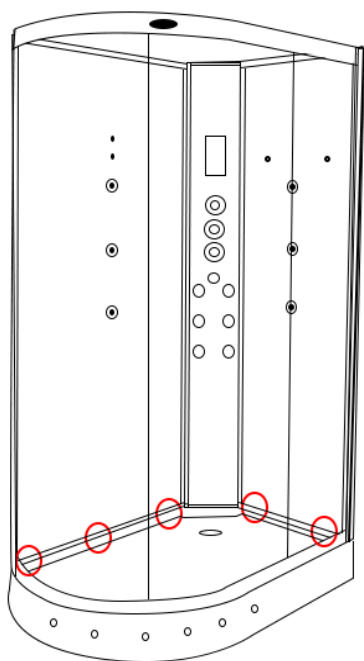
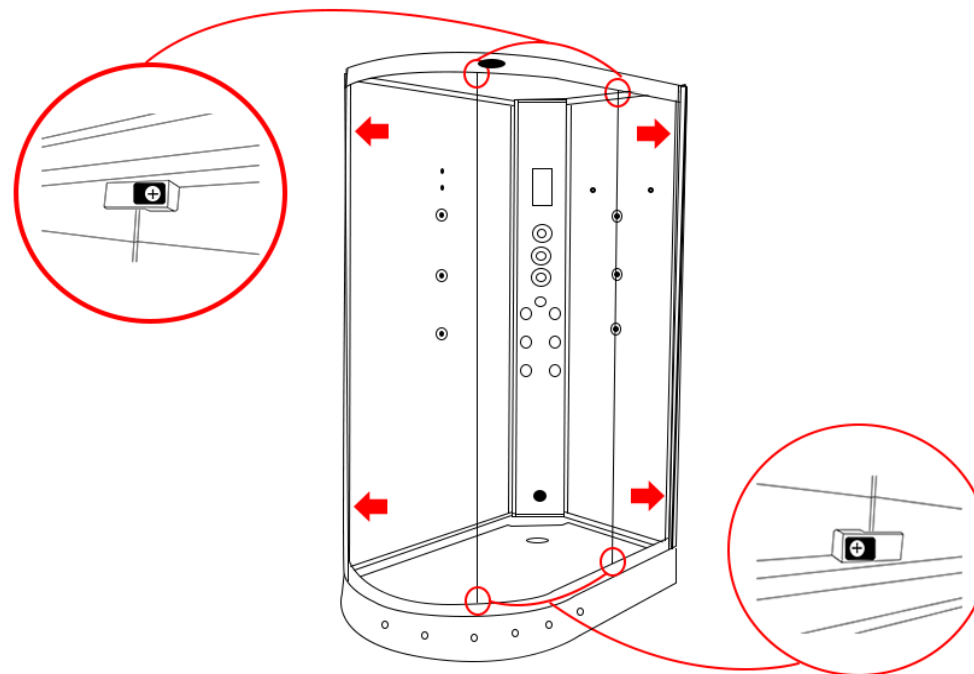
### Step 5

Next attach the “U shape” rubber glass seal to the outer edge of the curved and the straight fixed glass panels and cut any excess of if required.



### Step 6

With the frame now attached to the back panels, locate and fix the glass panels into place by pushing them as per the arrows in the adjacent image. Making sure the edge of the glass with the rubber seal fits into the groove tightly. Now screw the glass retaining clips into place using the **ST14** screws making sure the glass has a tight fit

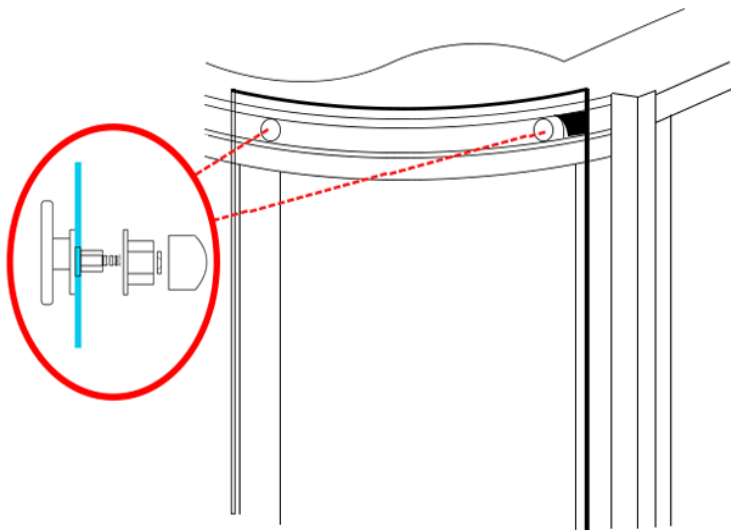
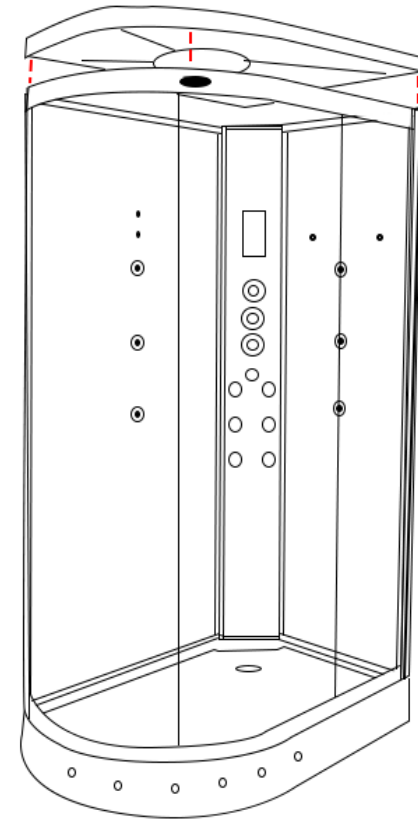
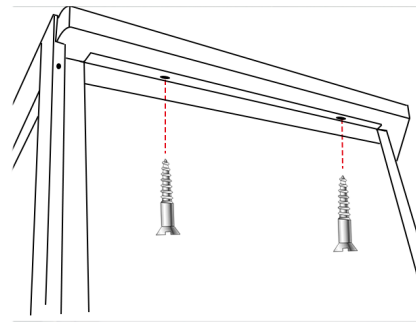


### Step 7

Using the **ST25** screws, ensure the back panels are square and you are happy with the position of the panels then screw into place

**Step 8**

Next locate the roof into position. Once you are happy with the positioning of this, screw into place using the **ST25** screws,

**Step 9**

Fit the adjustable wheels to the top and bottom of the glass doors and ensure the wheels are at their lowest position and hang on the inner curved rails with the wheels facing the outside of the glass.

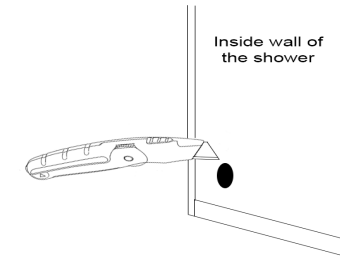
Once all wheels are fitted and on the rails you can adjust the wheels by turning the plastic bolt clockwise in which in turn will pull the wheels towards the track ensuring a secure a tight fit.

Now grease the track to ensure a smooth and long lasting operation  
(not supplied)

# Accessory Installation

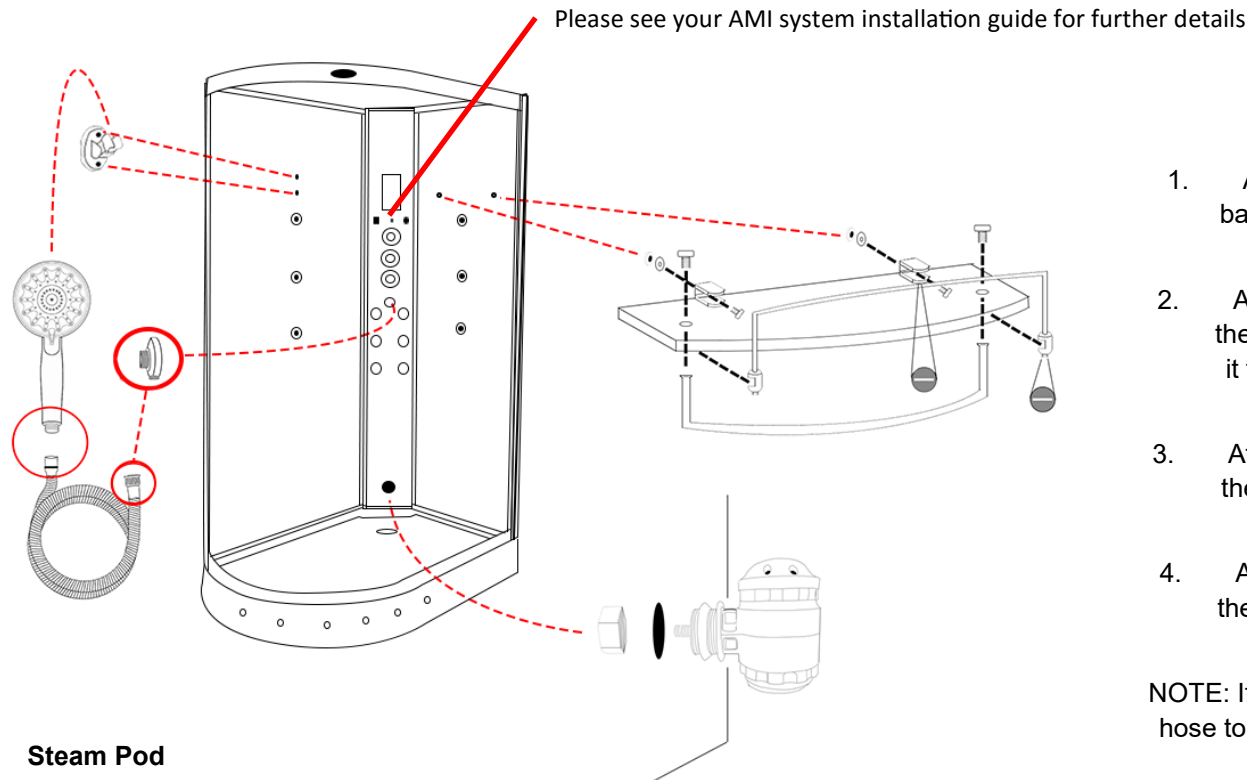
## Please Note

Ensure all grey backing film on the rear of the glass panels are pierced through the existing glass holes with a knife to provide an efficient smooth fitting and location of the accessories. We recommend using a screwdriver on the smaller holes.



## Shelf

Fix the chrome floating shelf brackets to your glass back panel by using the provided screws. Now attach the chrome tubed bars to your glass shelf as illustrated in the below image. Next slide the shelf into your shelf brackets and secure by tightening the grub screw situated on the bottom of the bracket.



## Hand Shower

1. Attach the chrome holder to the back wall via the 2 screws provided in the pack.
2. Attach the chrome water outlet to the back of the centre column, fixing it from the rear with the plastic hex nut.
3. Attach the chrome flexible hose to the water outlet with via small coupling end
4. Attach the other end (sleeved) to the hand shower and place in to the holder.

NOTE: If you attach the wrong end of the hose to the hand shower it will not sit in the holder.

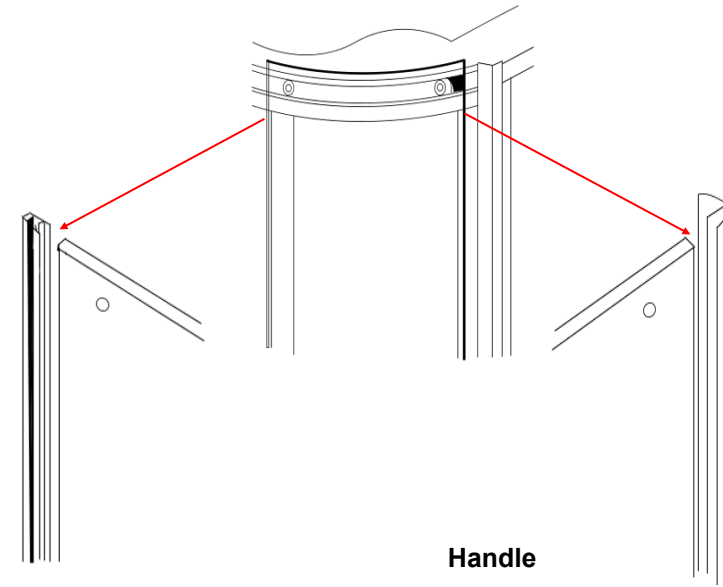
## Steam Pod

Insert the pod from the inside of the shower and attach large white nut from the rear.

### Door Seals

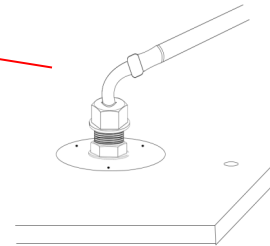
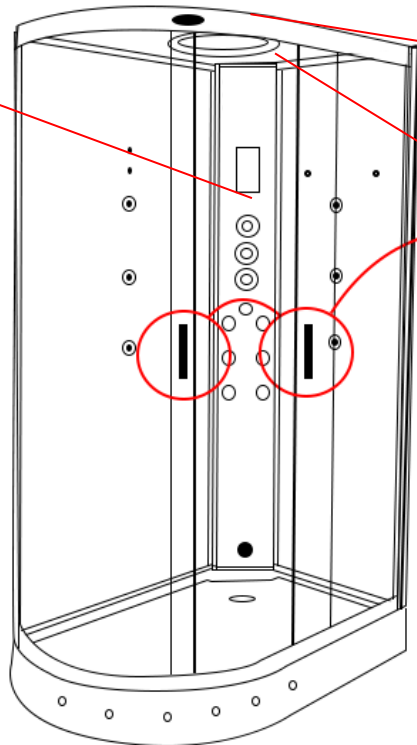
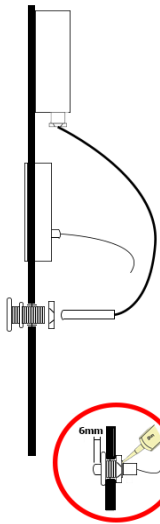
**Magnetic Seal:** Push the magnetic door seal on the handle side of the glass door ensuring this is tightly fitted.

**Rear Door Seal:** Place the rear door seal on the opposite side to the magnetic strip ensuring the flap is facing the fixed glass panel



### Thermostatic Probe

Insert the chrome sleeve into the hole situated below the control panel and secure in place with the retaining nut. Insert the rubber grommet into the sleeve and push the probe through from the rear of the cabin ensuring the probe protrudes no more than 6mm. Place a small amount of silicone behind to fully secure in to place.

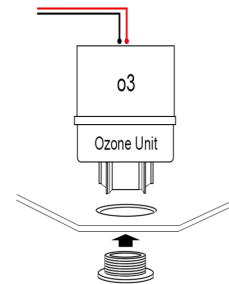


### Handle

Ensuring that the inner thread is protruding out from the handle far enough, place the handle on the outside of the door and secure by tightening the inner chrome knob to the protruding inner thread.

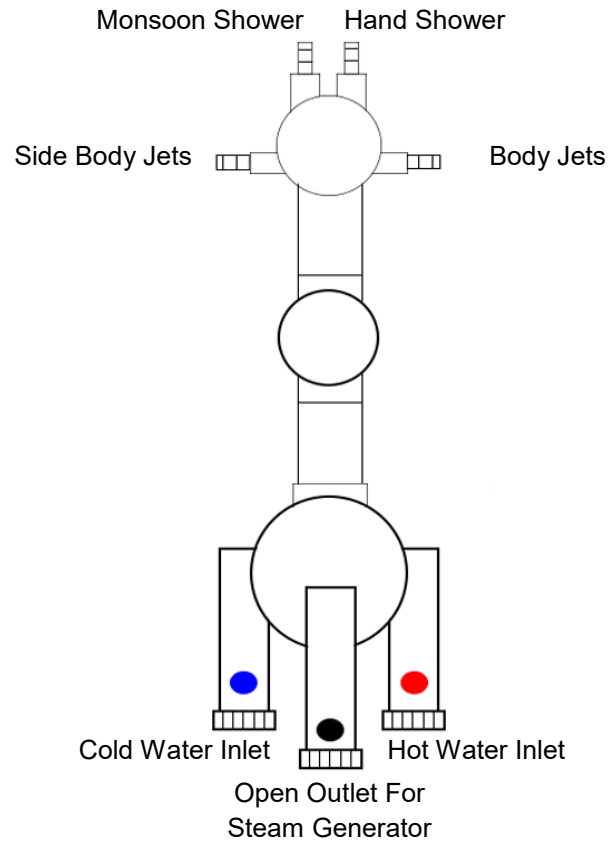
### Monsoon Head

Attach the grey hose from your valve to the inner black tube using PTFE tape (please note this only needs to be hand tight. Over tightening will snap/damage the inner black tube)



### Ozone (o3)

Unscrew the chrome pepper pot end and drop the white box upside down into the rear hole as shown in the image. Now from the inside of the shower re-attach the chrome pepper pot end and tighten.



### Shower Valve

**Connect the hoses to the corresponding inlets on the back of the shower.**

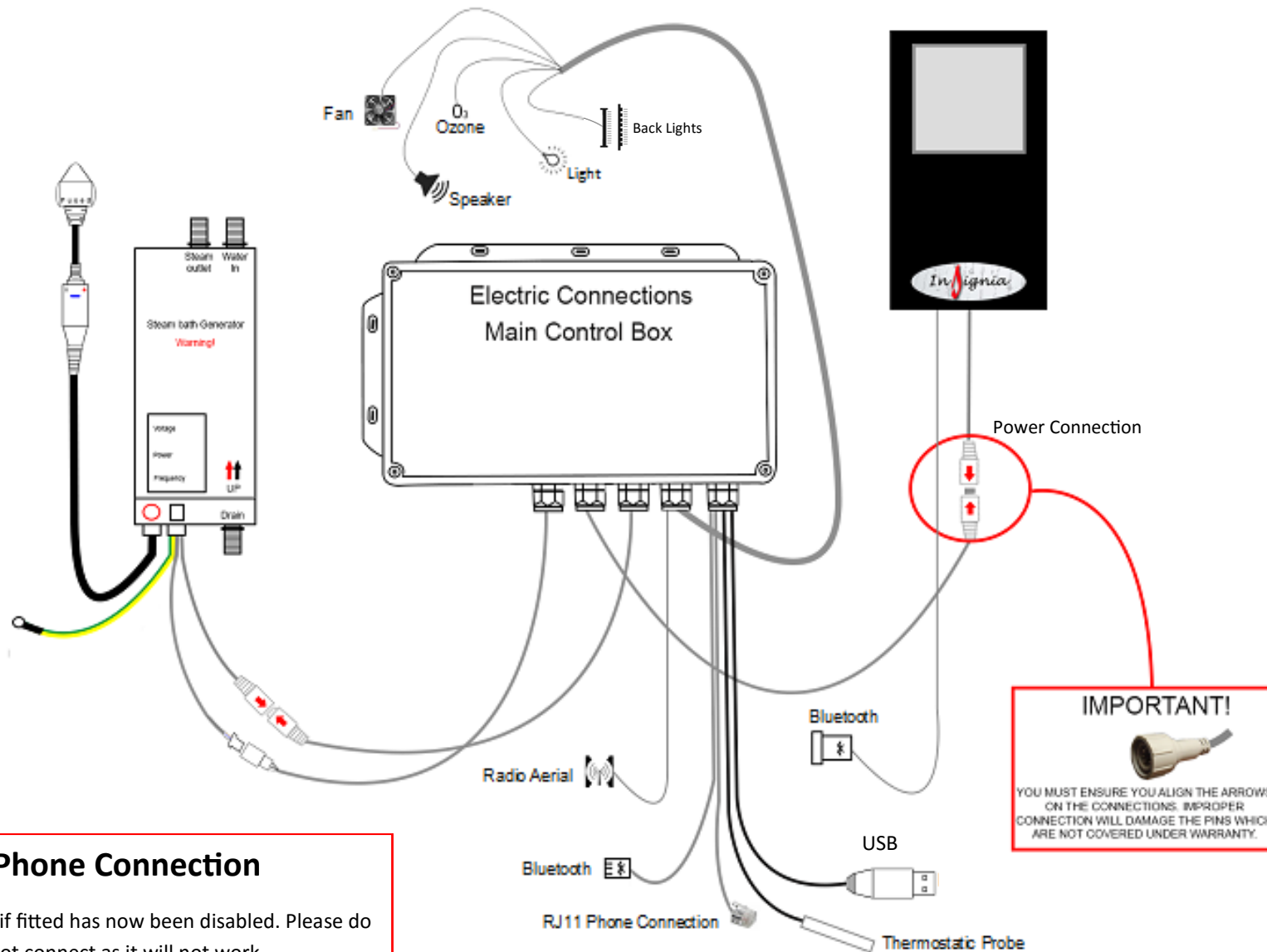
Device output may differ from the image. Please refer to your outer chrome faceplate inside your Insignia shower as a reference point.

**IF YOUR DIAL DOES NOT CORRESPOND TO THE APPROPRIATE DEVICE:**

Turn on your water to the shower and note which output the water exits from then turn off the water and swap over the relevant hose.

Alternatively remove the outer chrome knob by removing the chrome cap and loosening the grub screw (please ensure not to unscrew fully as this will drop within the chrome knob) this is found on the opposite side to the chrome pillar. Once you have succeeded in loosening this you can now slide your faceplate to correspond to the device.

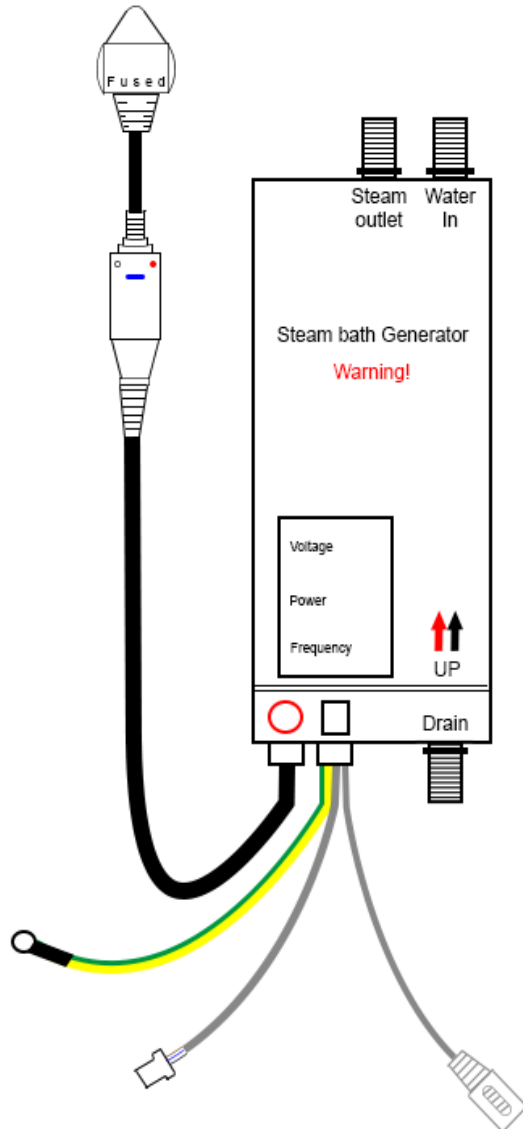
# Electric Box Connections



**Phone Connection**  
This feature, if fitted has now been disabled. Please do not connect as it will not work.

**IMPORTANT!**  
YOU MUST ENSURE YOU ALIGN THE ARROWS ON THE CONNECTIONS. IMPROPER CONNECTION WILL DAMAGE THE PINS WHICH ARE NOT COVERED UNDER WARRANTY.

## Steam Generator Connections

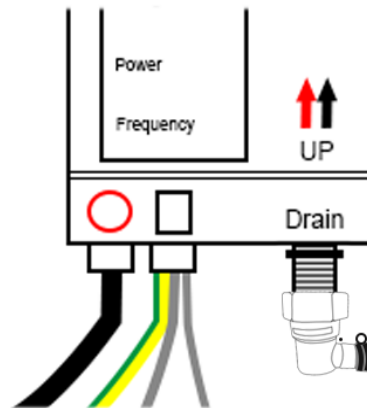


**The steam generator has 3 connections.**

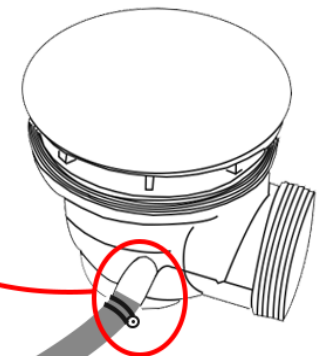
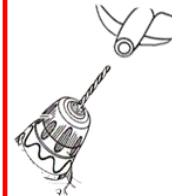
**Steam Outlet:** Connect the white insulated hose to the white steam pod within your shower. Make sure these are fitted in the correct position as they are only attached for transportation reasons only.

**Water Inlet:** Connect a braided hose from the shower valve's centre feed to this opening.

**Drain:** Connect the grey rubber hose from the steam generators drain opening to the nozzle on the shower waste (as shown in the below image)



**IMPORTANT!**  
In order for your water to waste from the steam unit you must ensure the spigot has been drilled open. All new showers should have this pre-done, however if not simply run an 4mm drill piece down the spigot which will open it up.



## Silicone Seal where shown in red on the inside of the shower

### TESTING FOR WATER LEAKS

**LEAVE THE SHOWER 24 HOURS AFTER BUILD TO ALLOW SEALANT TO CURE AND ENSURE THE SHOWER IS AWAY FROM ITS FINAL POSITION TO ALLOW REAR VIEWING**

Ensure all connections are tight and sealed including the waste, body jets and steam outlet (model dependent) on your shower.

Switch on the overhead shower NOT the massage jets, remember these will fire water out at you and are not suitable for checking leaks as they would normally only operate when a person is in front of them. **DO NOT AIM THE HAND SHOWER AT THE JOINTS OF YOUR SHOWER AS THIS DOES NOT FALL UNDER "NORMAL EVERYDAY USE"**. Adjust the feet to ensure the direction of the water flows towards to the waste to prevent puddling.

Just use COLD water setting as hot will make cabin misty and condensate thus the inspection becomes very difficult. Now on the OUTSIDE of the shower inspect each joint, factory seal, hose, clip and jet by walking from one side and going around to the back and then to the other side finishing at the front. If you have a small leak (normally caused through insufficient sealer or air bubble on assembly, dry the area thoroughly and reseal.

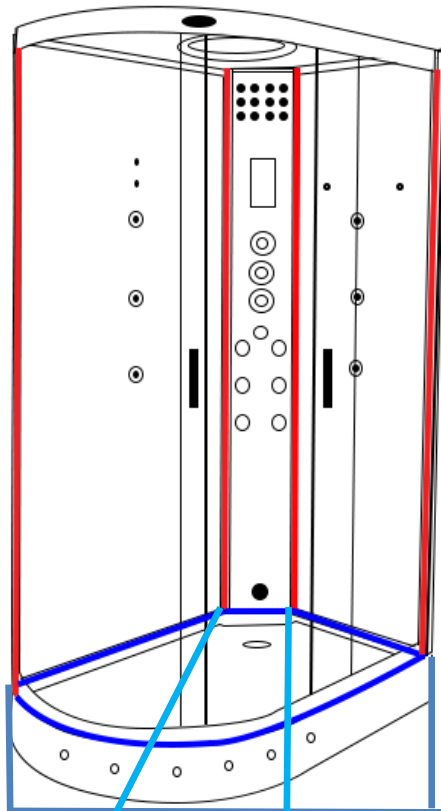
Please remember the location of the water may not be exactly where the leak is as it could have run around to a low point. Never seal your inner fittings unless necessary, remember you will see this for the life of the shower! Again leave to cure and check. Once you are happy check the shower functions i.e. jets for back massage, foot massage and finally hand shower (model dependent) check your joints to these functions at the rear again. Never use the shower until **all** checks have been made and the installer is 100% happy in the knowledge no leaks are present.

All good?

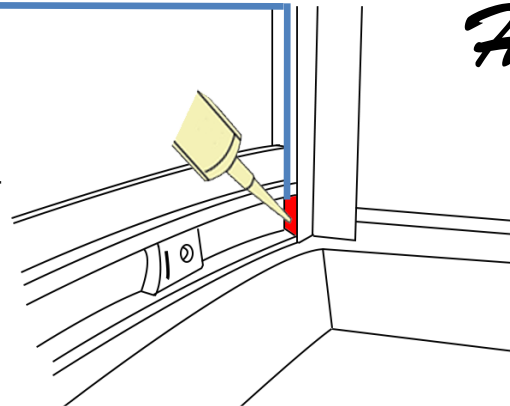
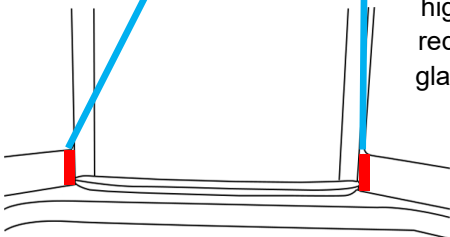
Now push your shower FROM THE BASE and NEVER THE GLASS OR FRAME into its final resting position.

*Happy Showering!*

Silicone fill the area highlighted in red at the end of the bottom runner as indicated in the image on the left.

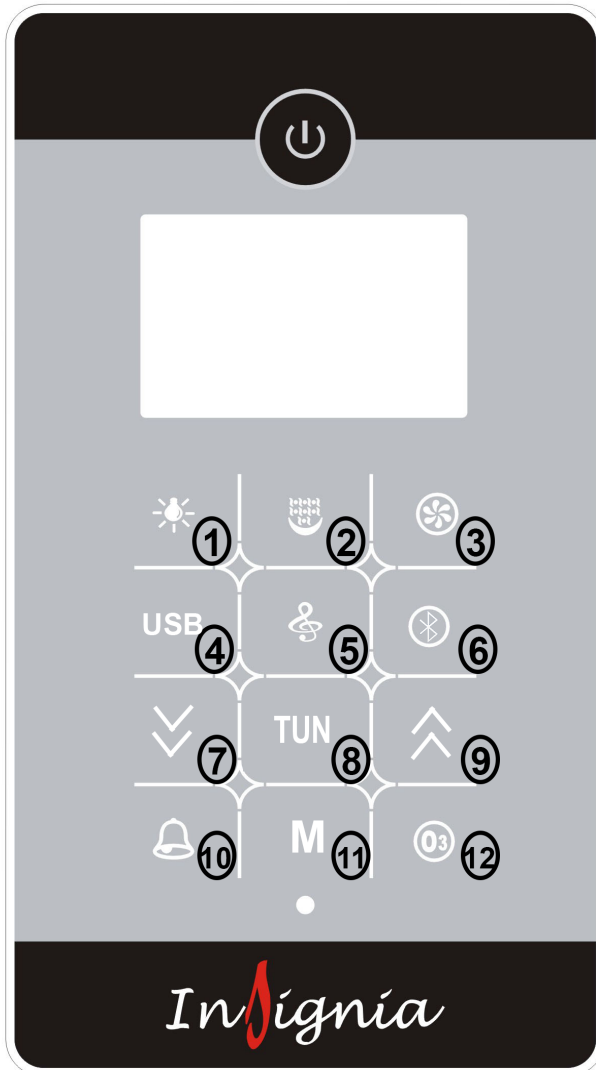


Silicone the area highlighted in red where the glass panel frame meets at the bottom (next to the column)





# MK117U Control Panel Instructions



\*When loading music on to your memory device the play order will be ordered based on the date the files where created.

## Button 1 (Light Bulb)

Press x1 backlights

Press x2 Operates the tray lights

Press 3x For All Lights

Press 4x To Switch Off Lights

## Button 2 (Steam)

On/Off

## Button 3 (Fan)

On/Off

## Button 4 (USB)\*

Connect an external memory device and use the button 7&9 for forward and backward operation

## Button 5 (Radio)

On

## Button 6 (Bluetooth)

On/Off (When activated a beep will sound and the power button will flash purple to notify you that the Bluetooth is searching for a device. Power button will be fixed purple when paired with a device. To pair another device to your control panel, reset the control panel by powering off and powering back on and please ensure you have switch off the Bluetooth to any current paired devices as only one connection can occur at any one time..

**Note: The device you are looking to pair is either "INSIGNIA" or SPR-OUT"**

## Button 7 (Down Arrow)

Channel select down/manual search

## Button 8 (TUN)

Switch Between manual & auto radio searching

## Button 9 (Up Arrow)

Channel select up/manual search up

## Button 10 (Alarm)

Activate Alarm

## Button 11 (M)

Set Steam Time & Temperature/When Radio is active this button will active the arrows to become volume buttons

## Button 12 (o3)

Press to activate once you finish using the shower

## Power Button (Lock)

The control panel will automatically lock when not in use for a short time, hold this button down for 3 seconds until a beep is heard and this will unlock and re-activate the control panel for use

## Need Help?

Then simply download the following "Help" advice booklet found at this link below. This contains many useful items such as is your parts warranty registered, advice on cleaning / servicing your shower cabin, fault finding and many more items. This is a **MUST** to read and not just "HELP". It saves time in nearly all cases, avoiding contact with ourselves as most answers are there for a ready fix!

Simply visit: [www.insigniarange.co.uk/help.aspx](http://www.insigniarange.co.uk/help.aspx)



**INSIGNIA PRODUCTS**  
**HELP I HAVE PROBLEMS AND**  
**NEED ANSWERS NOW!**



**PLEASE KEEP IN SAFE PLACE**

[www.insigniarange.co.uk](http://www.insigniarange.co.uk)

## Parts List

### Internal Items

Part Code	Part Description
SP063	Monsoon Shower head
SP056	Ozone Module (for Steam Showers)
SP003	Monsoon Light
SP048	Massage jet—2 open ends
SP048A	Massage jet—1 open, 1 closed
SP123	Shower Holder
SP216	Shower waste
SP097	Chrome rectangular door handles
SP240	Glass Shelf
SP058	Skirt light
SP058A	End skirt light
SP196	Thermo sensor holder
SP072	Door stoppers
SP008	Door Wheels
SP006	Steam Pod
SP060	Electrical extension cable

SP247	Light Diffuser
SP301	White insulated pipe
SP038	Speaker
SP007	Fan
SP037	Fan & speaker cover
SP204	Bluetooth Control panel
SP203	Blister pack
SP166	Approximately 4 meters of "U Style" seals

### External Items

Part Code	Part Description
SP300	Waste hose
SP187	Drain Hose
SP208	MK117U Electric box
SP232	Vertical steam generator
SP308	Magnetic door seals
SP310	Rear door seals
SP153	3 port—3 feed thermostatic valve
SP126	4 Port Selector Cartridge
SP045	On/Off Water Mixer Valve
SP182	Vernet Screw Fit Thermostatic Cartridge
SP043	Plastic Thermostatic Valve Safety Lock Ring

### Framework (Right hand)

Part Code	Part Description
GT5000R-10	Left Upright (straight)
GT5000R-9	Right Upright (Angled)
GT5000R-7	Blank column
GT5000R-11	Top rail
GT5000R-12	Bottom rail
GT5000R-8	Blank roof
GT5000R-6	Tray

### Glass (Right hand)

Part Code	Part Description
GT5000R-2	Curved door
GT5000R-5	Flat door
GT5000R-18	Large Black Backwall
GT5000R-16	Small Black Backwall
GT5000R-19	Large / mirrored Backwall
GT5000R-15	Small mirrored Backwall
GT5000R-17	Large white Backwall
GT5000R-15	Small white Backwall
GT5000R-3	Curved fixed glass
GT5000R-4	Flat fixed glass

All images are registered with  
ImageTraker

Insignia™ is a registered trademark of Maclean International Ltd

All images are subject to copyright. Images may not be used in any way shape or form with out written permission from Maclean International Ltd. Images are NOT permitted to be saved, printed or uploaded. Violation of copyright laws are punishable by law.