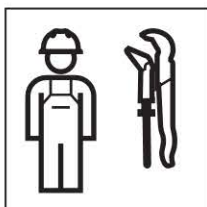




Installation Manual

Montageanleitung
Instructions de montage
Istruzioni per il montaggio



**GEFAHR****Gefahr eines elektrischen Schlags**

- ▶ Das Gerät darf nur an Steckdosen oder Festanschlüssen mit Schutzerdung betrieben werden.

**DANGER****Electric shock hazard**

- ▶ The device may only be operated at power outlets or fixed connections with protective earthing.

**DANGER****Risque de décharge électrique**

- ▶ L'appareil ne doit être raccordé qu'à des prises électriques ou des branchements fixes avec mise à la terre.

**PERICOLO****Pericolo di scossa elettrica**

- ▶ L'apparecchio può essere utilizzato esclusivamente con prese elettriche o allacciamenti fissi provvisti di messa a terra.

**GEVAAR****Gevaar van een elektrische schok**

- ▶ Het apparaat mag alleen aan stopcontacten of vaste aansluitingen met randaarding worden gebruikt.

**PELIGRO****Peligro de descarga eléctrica**

- ▶ El dispositivo debe utilizarse solamente en salidas de corriente o conexiones fijas con puesta a tierra de protección.

**PERIGO****Perigo de choque eléctrico**

- ▶ O aparelho só pode ser utilizado em tomadas ou ligações fixas com ligação à terra de protecção.

**FARE****Fare for elektrisk stød**

- ▶ Enheden må kun anvendes på stikdåser eller fastopkoblede forbindelser med arbejdsjording.

**FARE****Fare for elektrisk stød**

- ▶ Apparatet skal kun drives i stikkontakter eller faste tilkoblinger med jordet ledning.

**FARA****Risk för elektriska stötar**

- ▶ Apparaten får endast anslutas till eluttag eller fasta anslutningar med skyddsjordning.

**VAARA****Sähköiskun vaara**

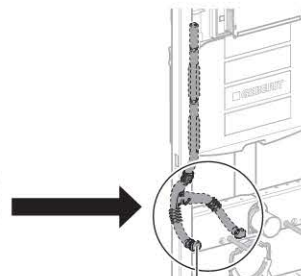
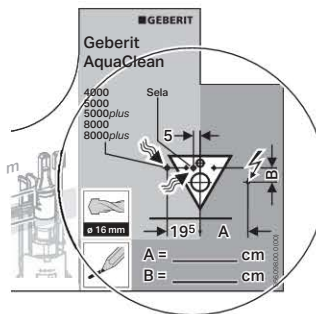
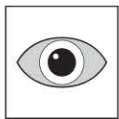
- ▶ Laitetta saa käyttää vain sellaisissa pistorasioissa tai kiinteissä liitännöissä, jotka on maadoitettu.

**NIEBEZPIECZEŃSTWO****Niebezpieczeństwo porażenia prądem elektrycznym**

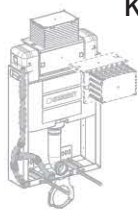
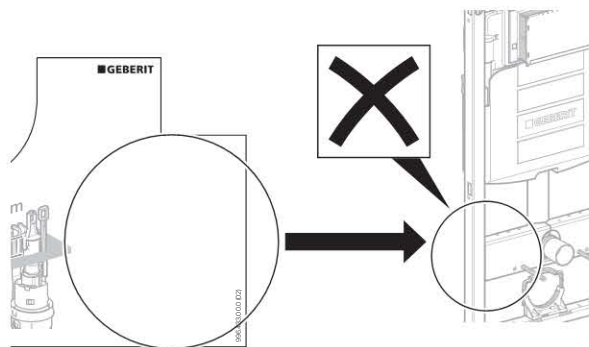
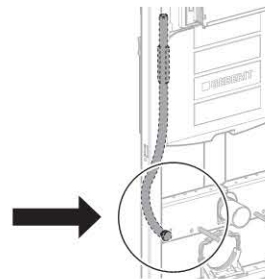
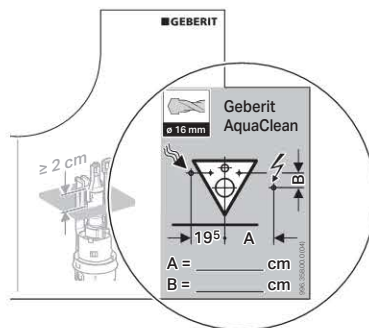
- ▶ Urządzenie można eksploatować wyłącznie po podłączeniu do gniazdek elektrycznych lub przyłączy stacjonarnych wyposażonych w uziemienie ochronne.

**VESZÉLY****Áramütés veszélye**

- ▶ A készüléket csak védőföldeléssel rendelkező dugaszoló aljzatokkal vagy rögzített csatlakozókkal szabad üzemeltetni.



8000
 8000plus



Kappa 15 cm / Omega 12 cm



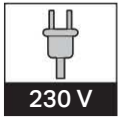
UK:



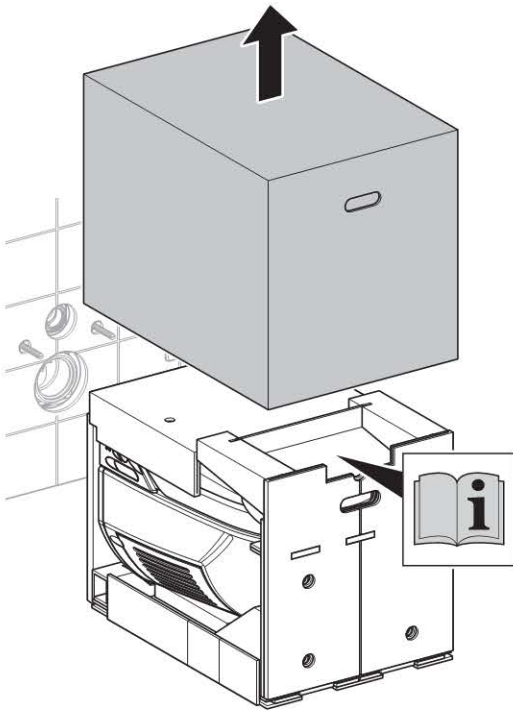
Kappa 15 cm PEX / Omega 12 cm PEX



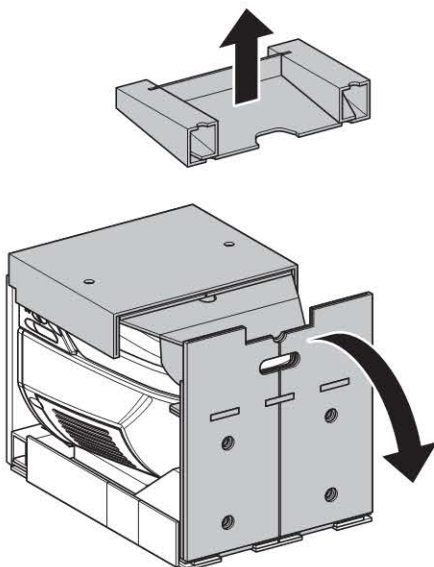
1



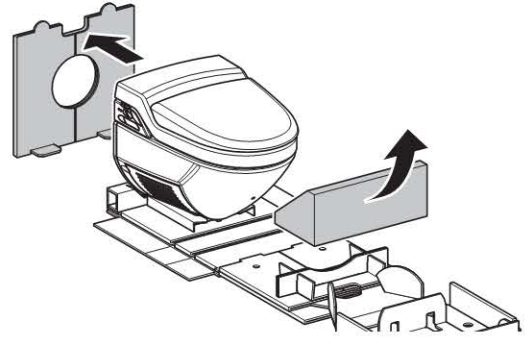
1



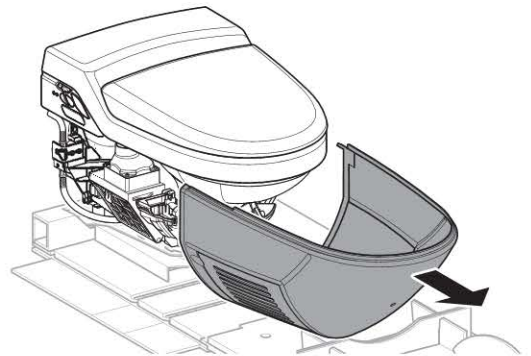
2



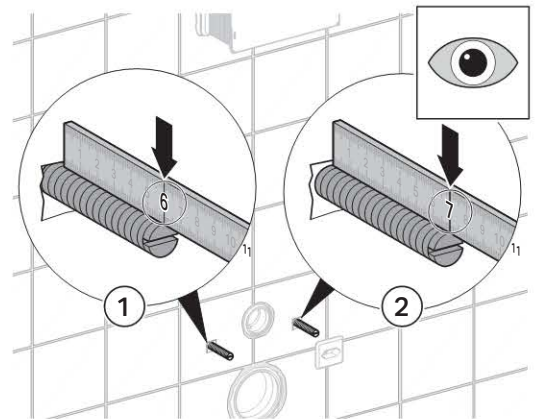
3



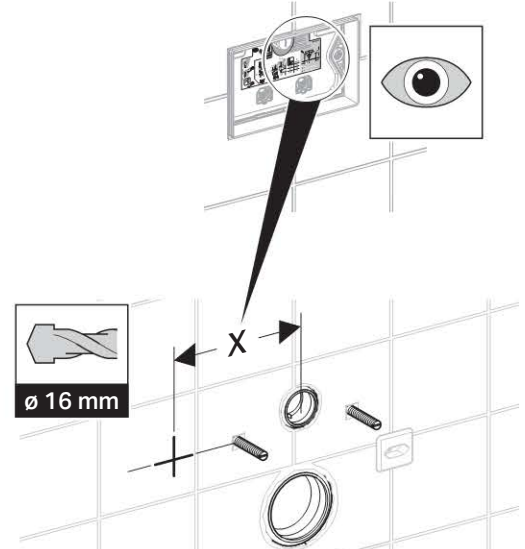
4



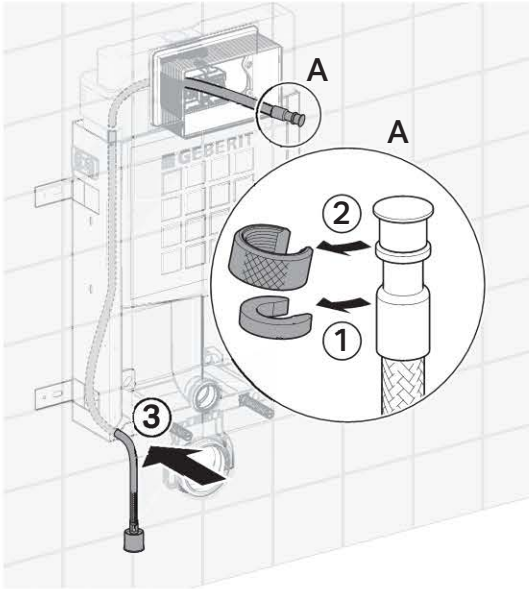
5



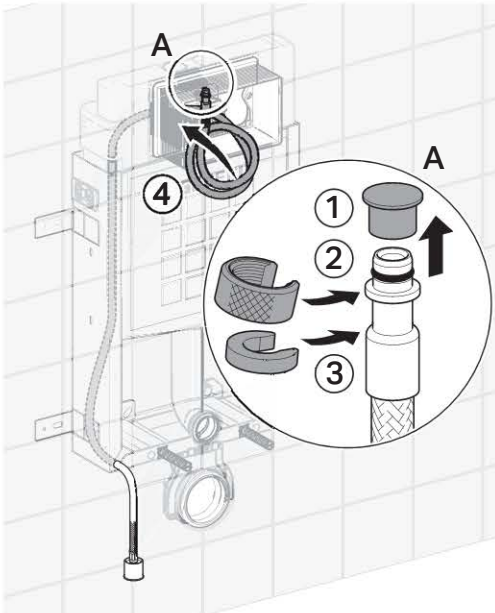
6



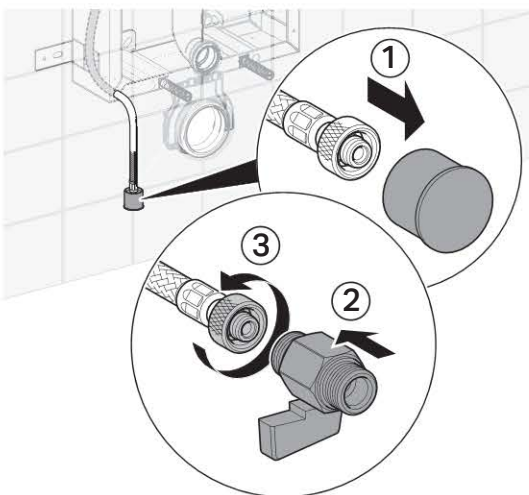
7



8

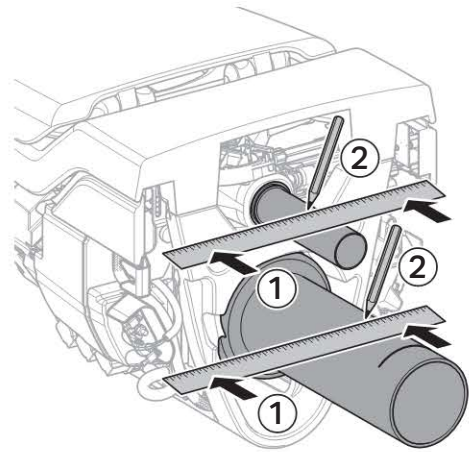
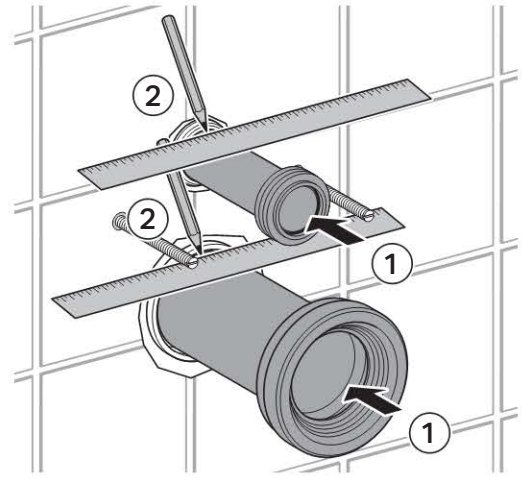


9

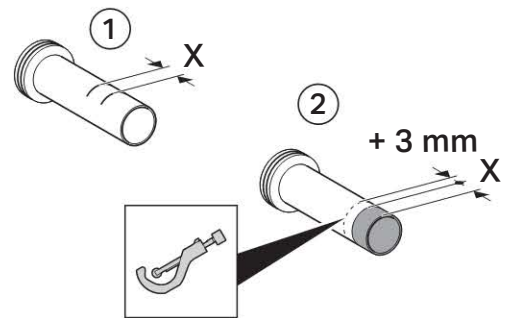


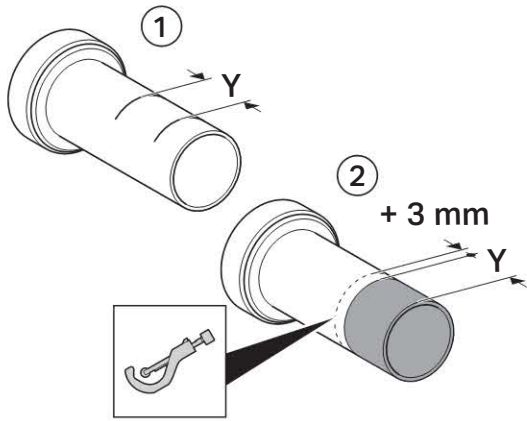
2

1

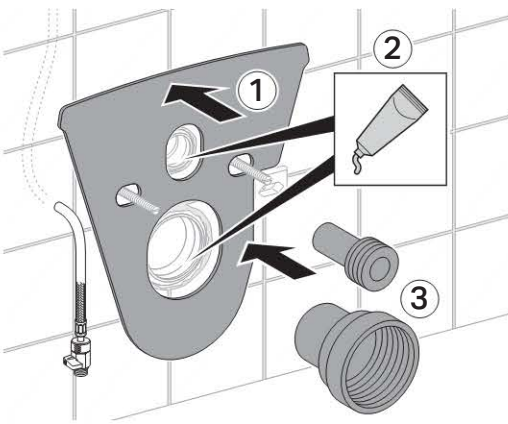


2

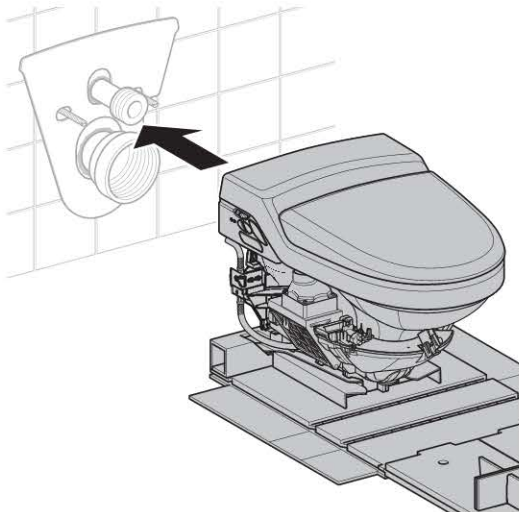




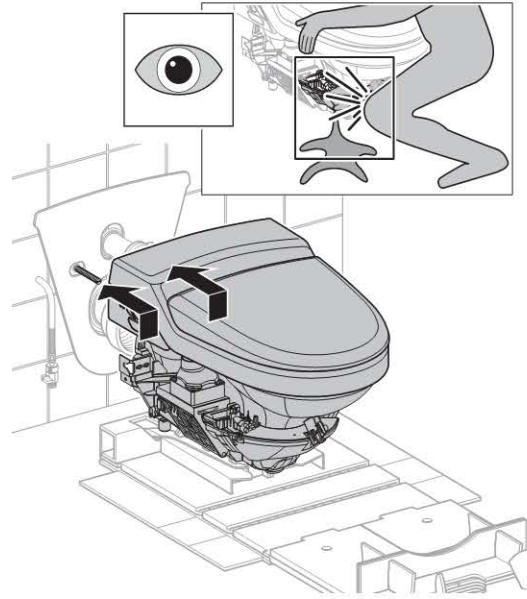
3



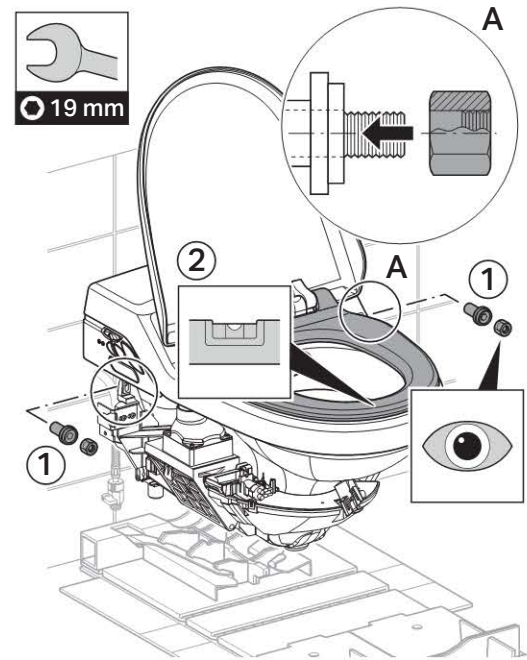
4



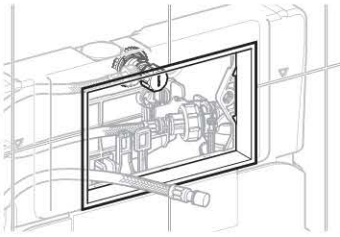
5



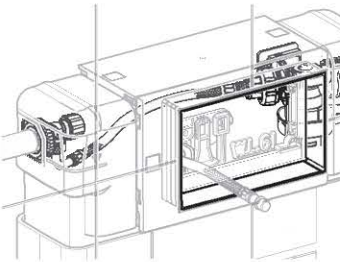
6



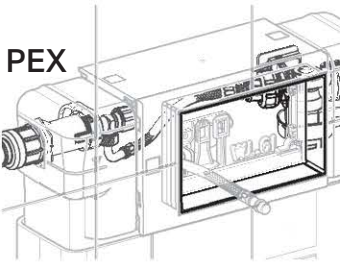
3



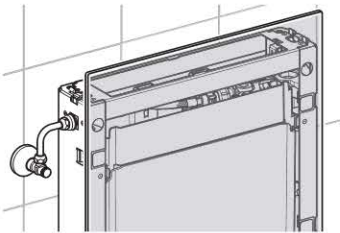
A



B



C

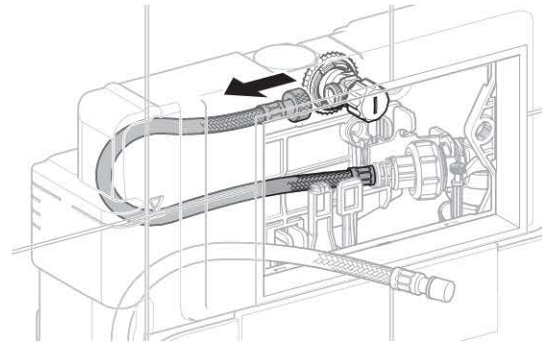


D

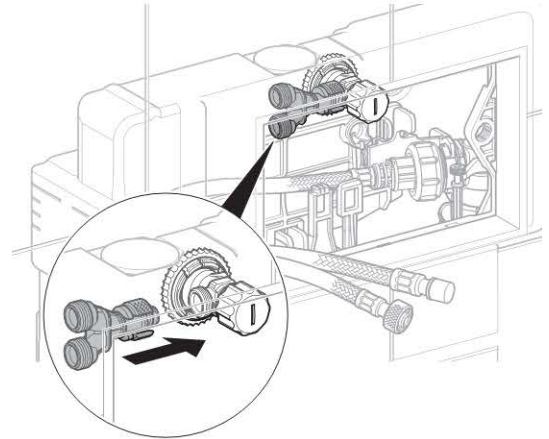
3

A

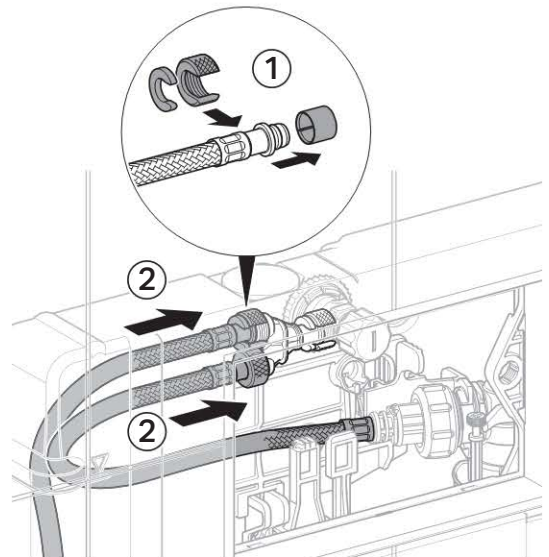
1

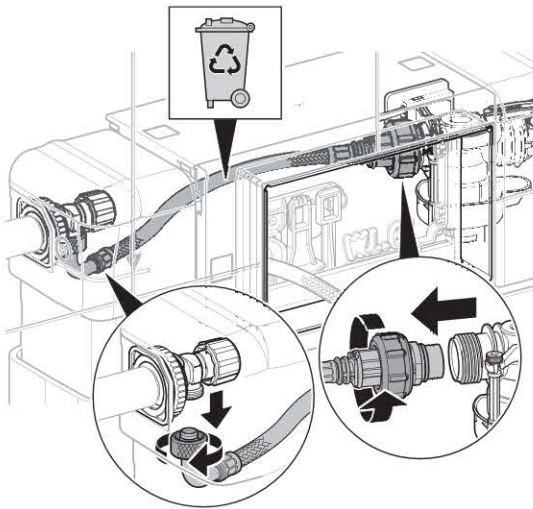
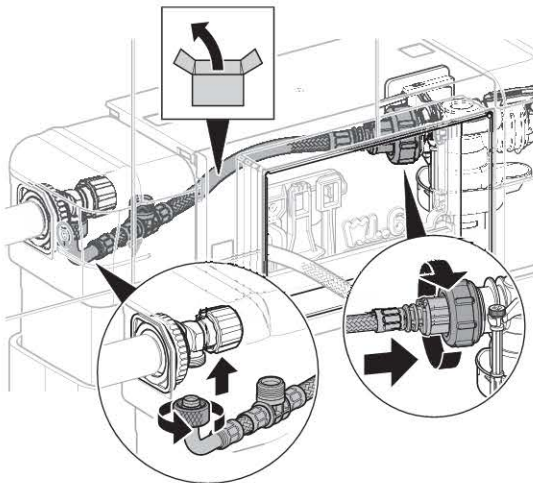
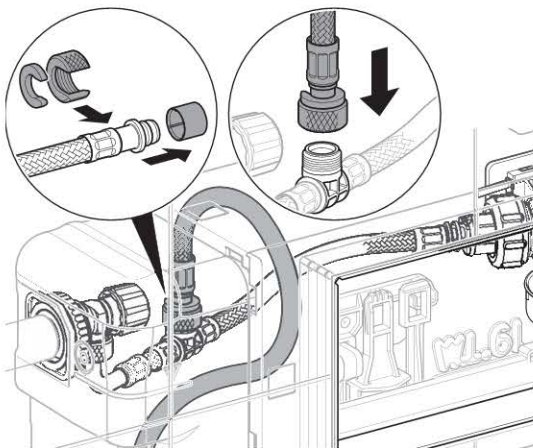
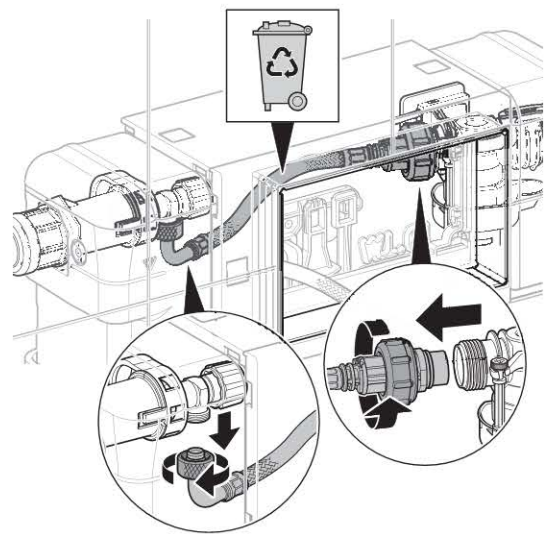
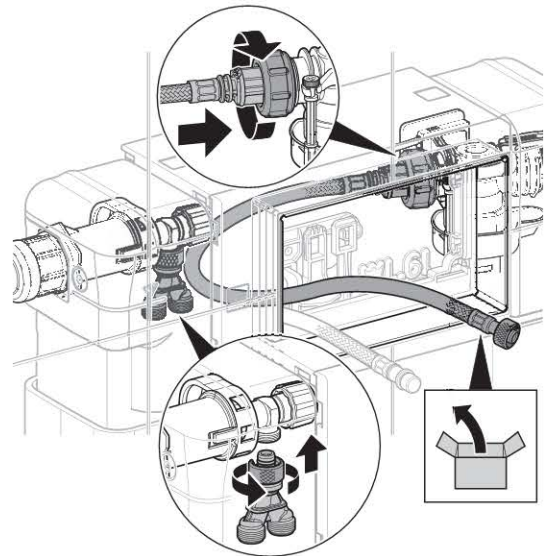
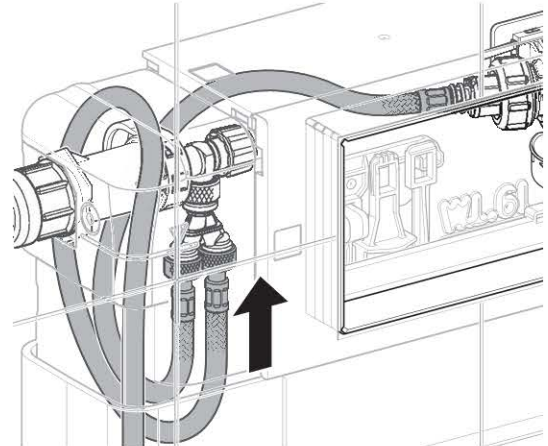


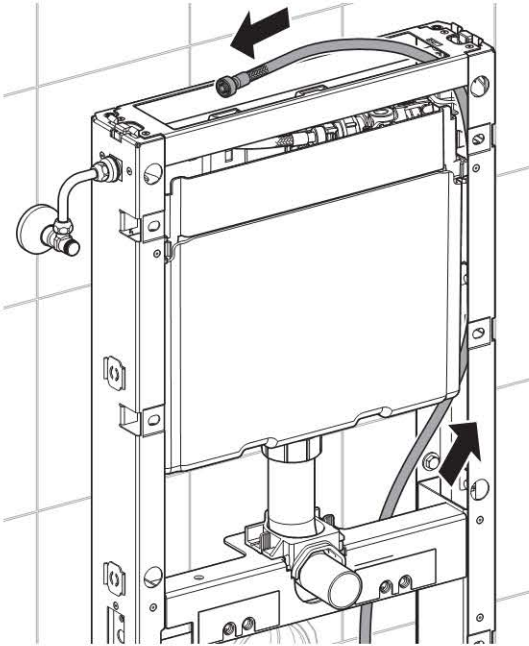
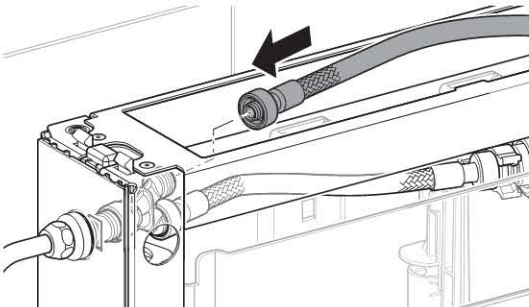
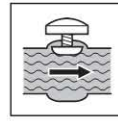
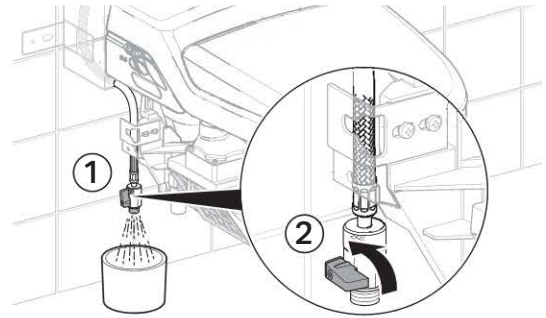
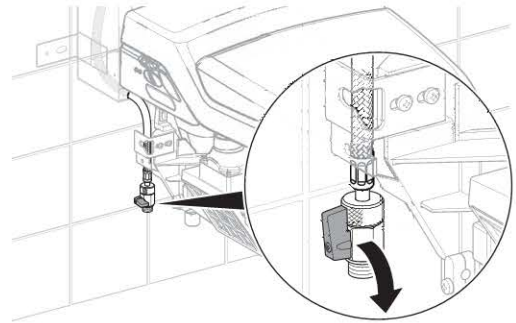
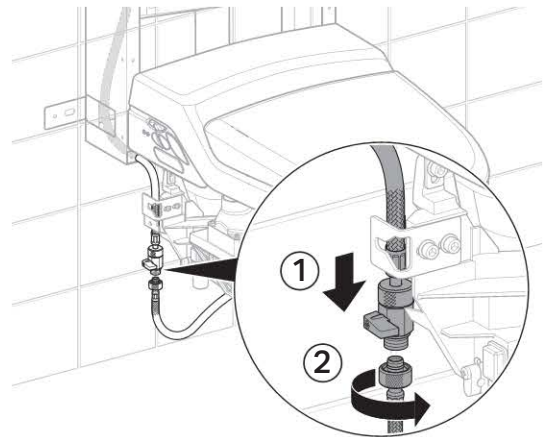
2



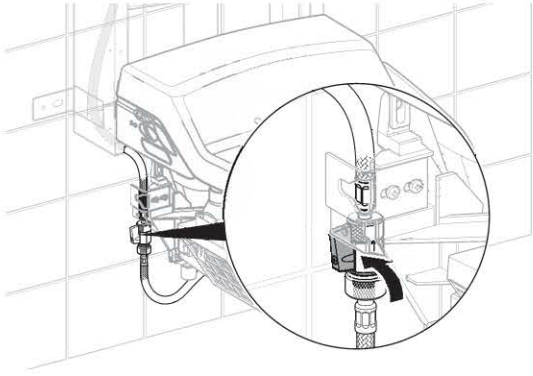
3



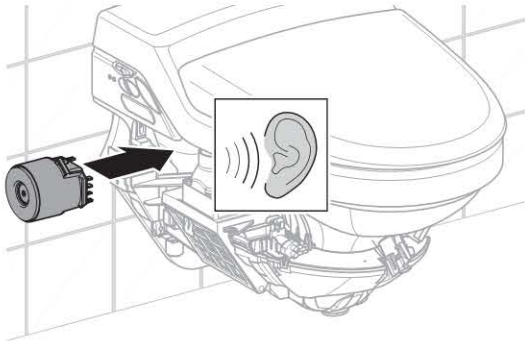
3**B****1****2****3****3****C****1****2****3**

3**D****1****2****4****1****2****3****4**

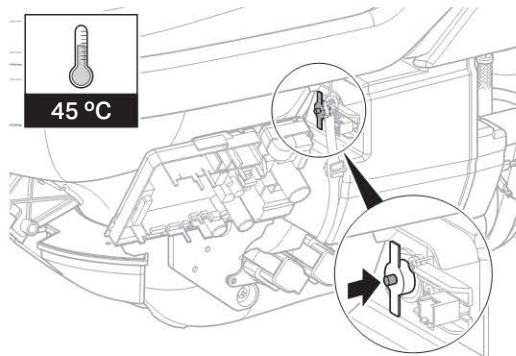
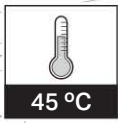
5



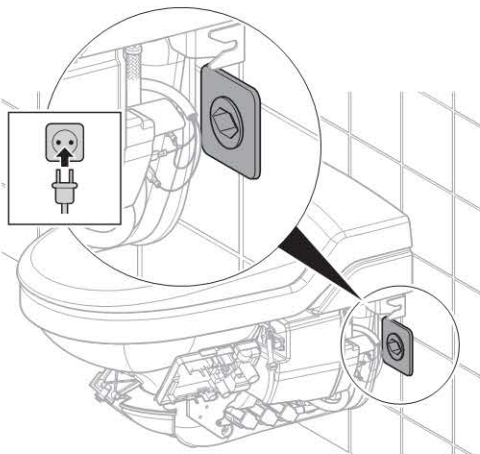
6



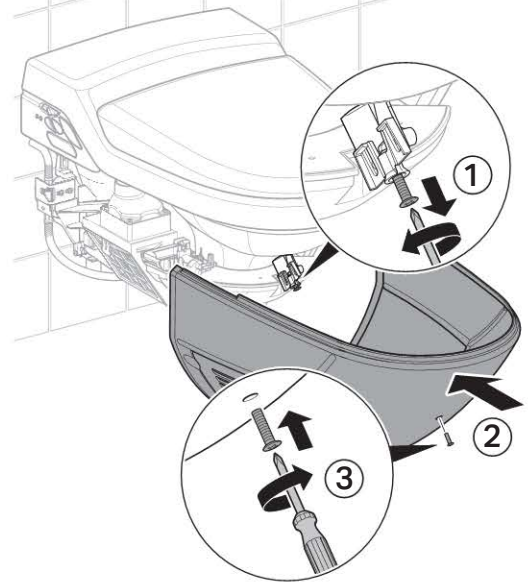
i



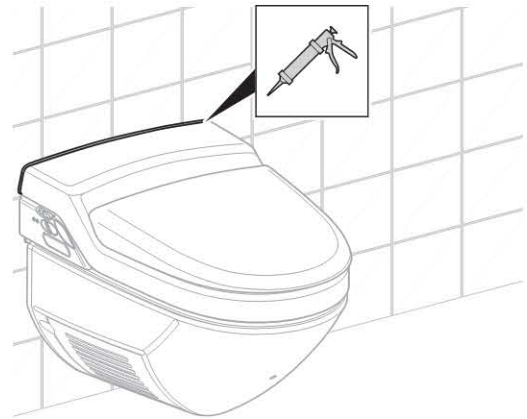
7



8



9





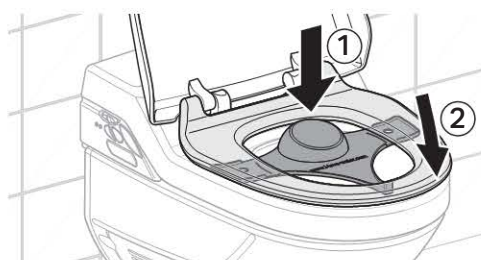
Start-up installation

Initiation programme

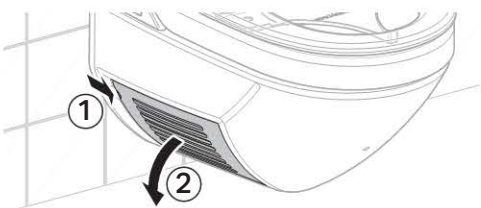
An automatic initiation programme is run before inserting or filling the active carbon filter and nozzle cleaning agent. Duration of the programme 2–9 minutes.

Start operation of the toilet

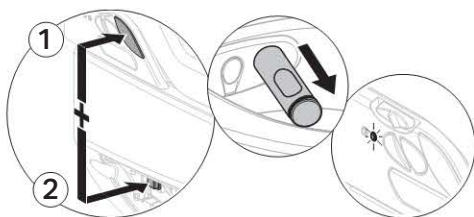
- 1** Fit the spray shield.



- 2** Open the maintenance opening.



- 3** Press and hold the main button (1) while switching on the main switch (2). Wait until the dryer arm is extended and the blue LED flashes. Initiation programme starts.

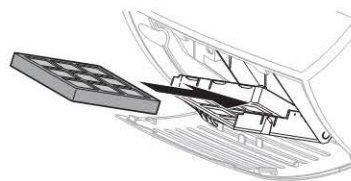


- i** The initiation programme is active as long as the blue LED flashes. If a fault occurs, the programme is cancelled after 9 minutes and the red LED flashes.

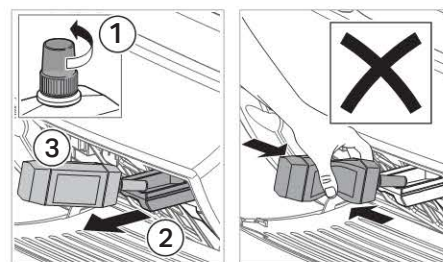
- i** If the red LED flashes, the fault (e.g. lack of water) must be rectified and the initiation programme must be restarted.



- 4** Insert the active carbon filter.



- 5** Remove the screw cap of the nozzle cleaning agent and pull out the filling tray on the toilet. Lift the bottle and turn it around. The nozzle cleaning agent automatically flows into the tank. Do not squeeze the bottle, as the nozzle cleaning agent could spray outside the tank.

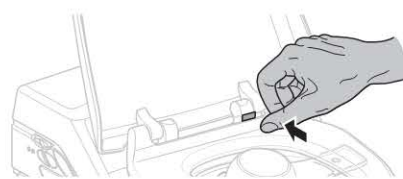


- 6** Reinsert the filling tray and close the maintenance opening.

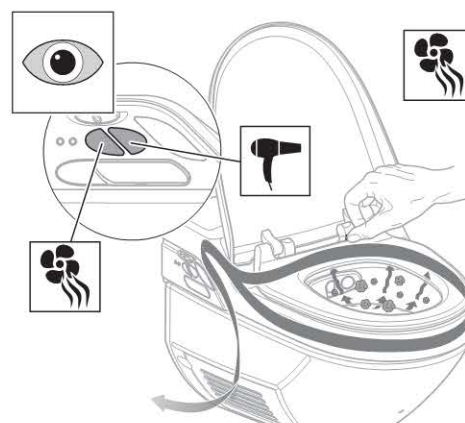
- i** If active carbon filter and nozzle cleaning agent are not used/topped up, the red LED will light up.



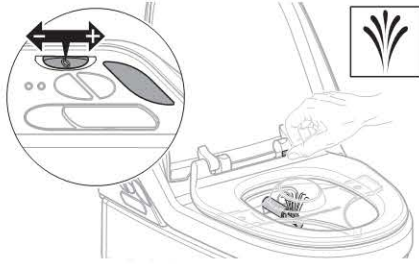
- 7** Cover the window of the user detection with your hand and keep it covered.



- 8** Check if the <Air purifier> and <Dryer> buttons are pressed on the control panel. If not, press both buttons. Air purifier starts.



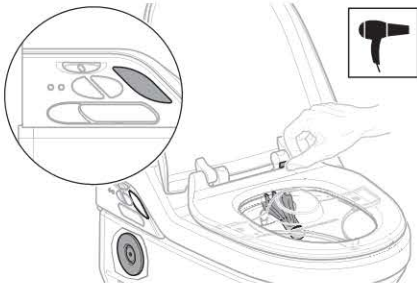
- 9** Press the <Shower> button. The shower arm extends and the spray starts. Increase or lower the spray intensity by pressing the slider forwards <+> or backwards <->.



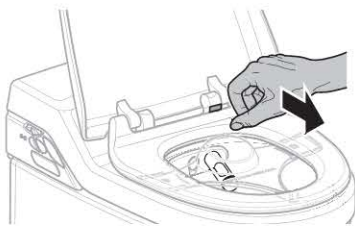
- 10** Wait for 3 minutes and check the shower water temperature.



- 11** Press the <Shower> button again. The dryer arm retracts. The shower arm extends and the dryer starts.

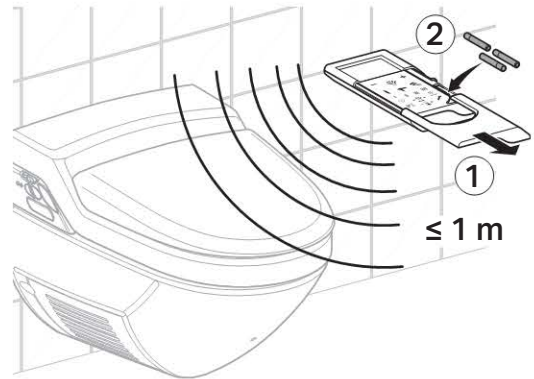


- 12** Remove your hand from the window of the user detection. The dryer stops.



- i** The remote control must be closer than 1 m to the toilet so that the remote control detects the toilet.

- 13** Slide the cover of the remote control up until the end position. Then remove the slider by pressing the catch and insert the supplied batteries (3 x size AAA/type 1.5 V) into the remote control.



- 14** Remove the spray shield and store for later use.

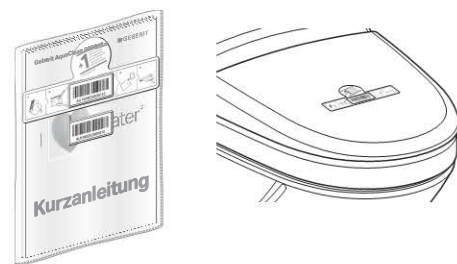
Handing over the toilet to the customer, ready for operation

- 1** Explain the main functions of the toilet to the customer.

- i** Refer to the operating instructions for detailed information.

- 2** Hand over end-user documentation to the customer.

- 3** Fill in the warranty card together with the customer (end-user documentation), attach the serial number sticker and send it to Geberit.



- 4** Attach a second serial number sticker, for example to the last page of the operating instructions, so it is available for later use.

Geberit International AG
Schachenstrasse 77
CH-8645 Jona

T +41 55 221 63 00
F +41 55 221 63 16
documentation@geberit.com

→ www.geberit.com