

(BPC) Bamboo plastic composite flooring installation guide

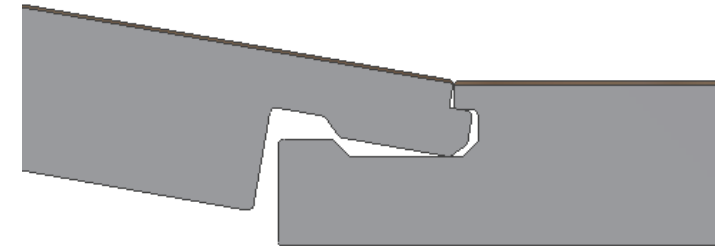
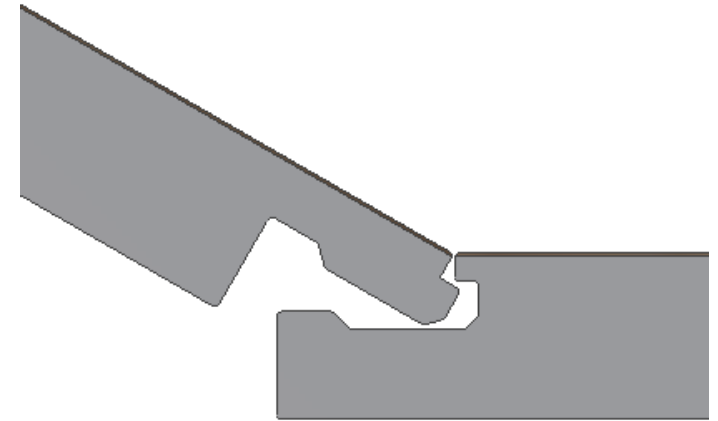
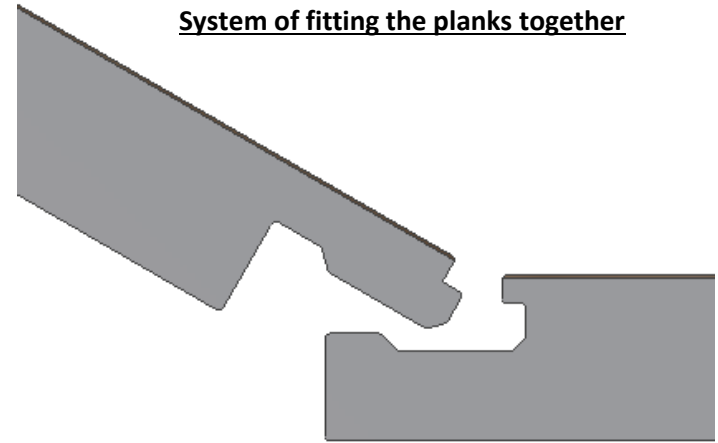
Accreditations and licenses

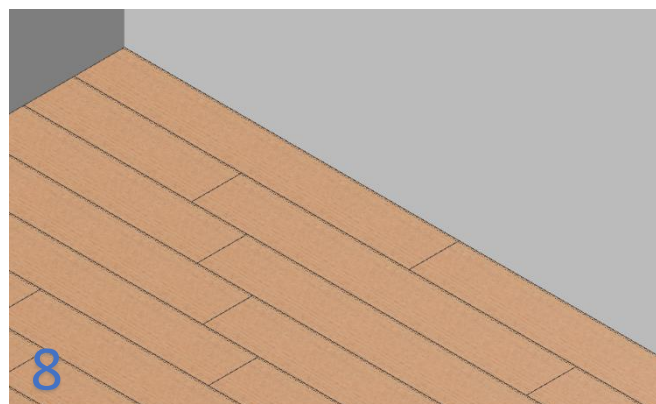
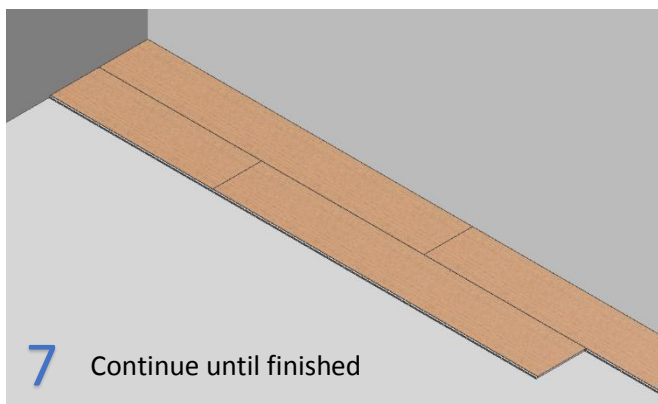
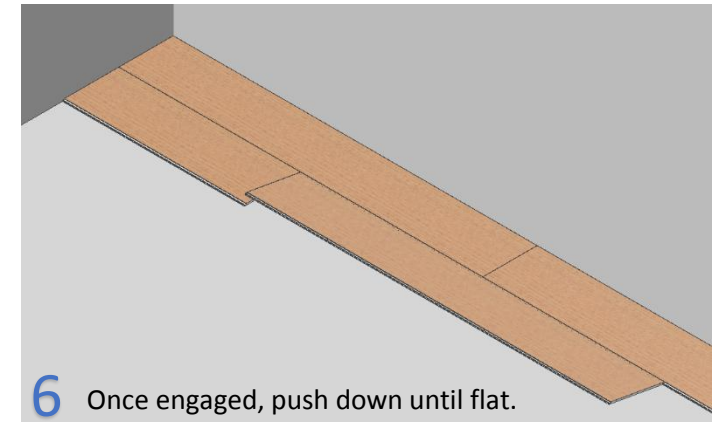
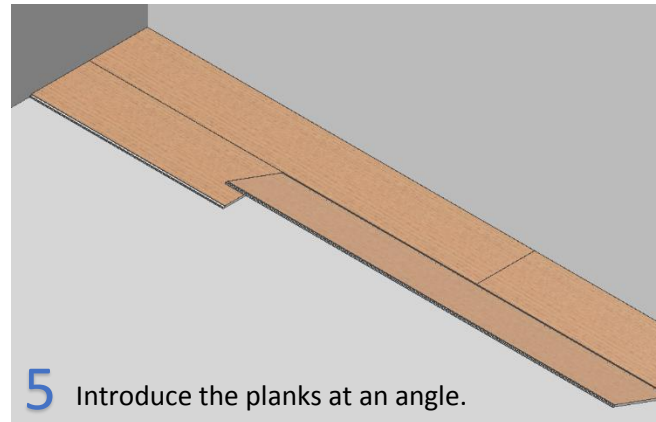
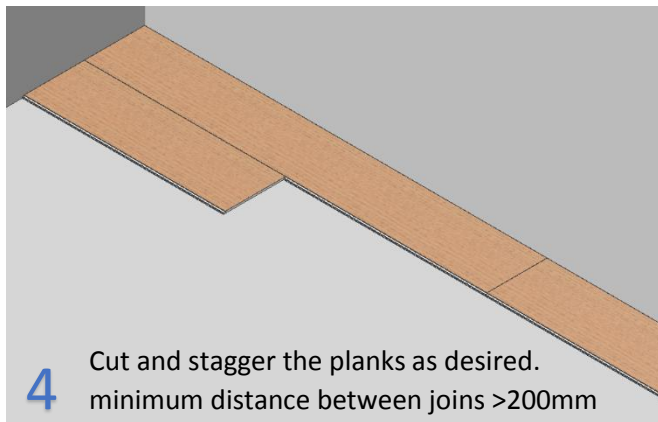
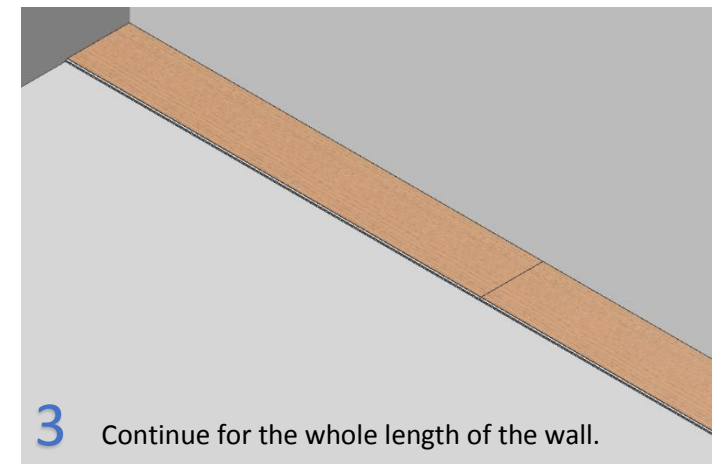
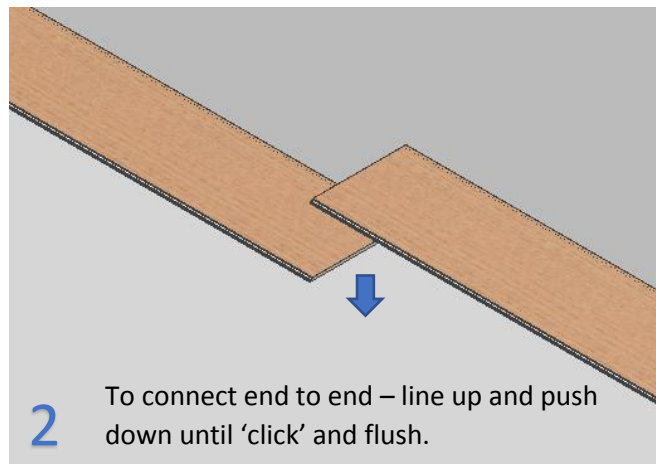
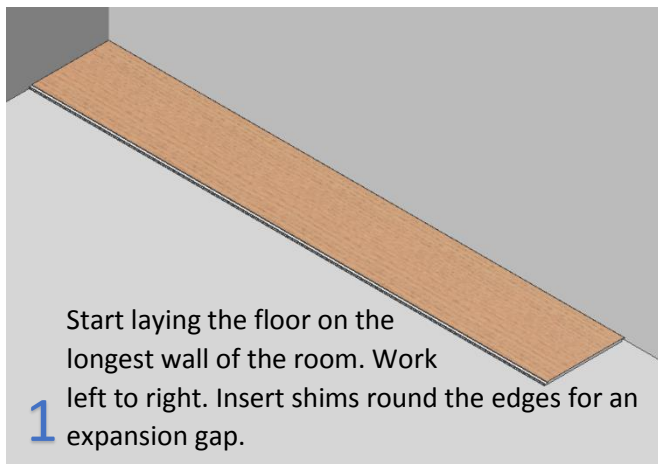


Features/ benefits and useful information

- Can be laid directly on to a flat and level floor or used with underlay
 - Compatible with underfloor heating up to 60 degrees.
 - You must apply a screed surface for electric underfloor heating so that the surface is flat and level.
 - The floor must be laid with a small expansion gap around the edges.
 - Letting the floor acclimatise before fitting is not necessary, however it is advised.
 - CE mark – commercial and residential use as a floor covering EN14041:2004
-
- Pack size 12 pieces (approx. 2.65m squared)
 - Plank size 1220mm x 181mm
 - 4mm thick
 - To cut – score the face with a sharp knife and bend on the score line
 - Waterproof
 - Anti-slip
 - Anti-bacteria
 - Wood (bamboo) and PVC composite.

System of fitting the planks together





Remove the shims when you have laid all of the floor. The expansion gap is for when the floor expands if it is particularly hot or sunny.

Always use the appropriate health and safety equipment when installing flooring.