

Figure 1:

Determine location for installation of the basin, and mark a line for what would be the actual final height of basin for use once installed. Measure down 90mm from this line, and mark a line for the installation of basin brackets.

- The bracket installation line must be horizontal and level.

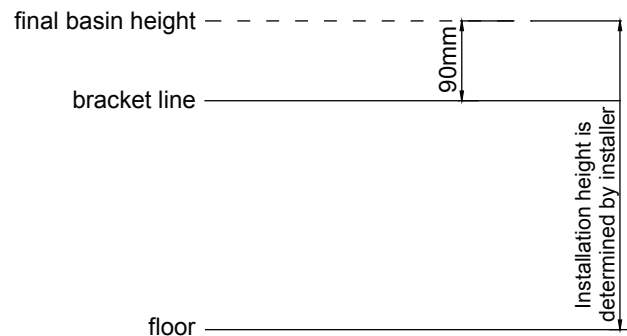


Figure 1

Figure 2:

Basin brackets should be separated by a distance of 200mm. Mark vertical lines at these points, then position the bracket onto the wall as shown in the diagram, and then based on the bracket position mark the installation holes. Fix brackets to the wall using appropriate tools, and fixing bolts for installation surface.

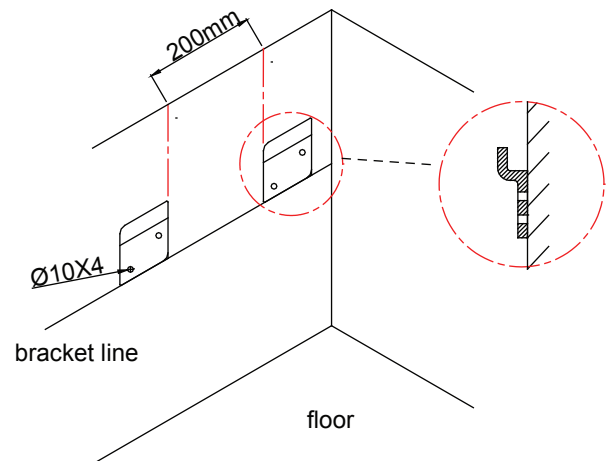


Figure 2

3:

After the installation of the brackets, hang the basin into position, and check that the basin fits well. Mark the basin fixing holes through the basin, and then remove basin. Using appropriate tools and fixing bolts for the installation surface drill and prepare for final fitting.

4:

Finally hang the basin to the brackets, and fix the basin thru the holes using appropriate fixing nuts. After this install tap and waste.


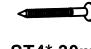






- **Installation should be completed by a suitable qualified person.**
- **Tools and fixing bolts for installation are not supplied, and should be selected by installer based on installation surface.**

IMPORTANT: This unit must be securely fixed to a wall. Ensure that the top is horizontal before marking the wall for fixing. The wall fixings supplied may not be suitable for your installation. You may need to source alternatives depending on the material and strength of the wall you are fixing to.

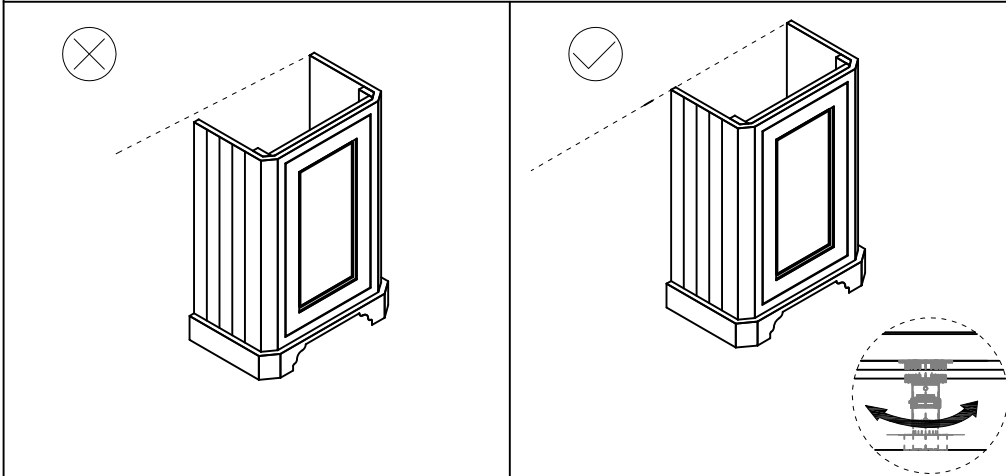
Buffers are supplied to stop the crash of the doors. These can be fitted if necessary.

NOTE: The basin is made to European standards (BS 3402) which allows for 6mm maximum distortion.

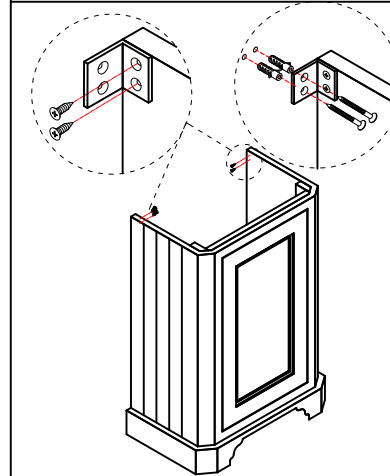
Parts Supplied:

	 ST4* 30mm						
4	4	2	4	4	12	1	1

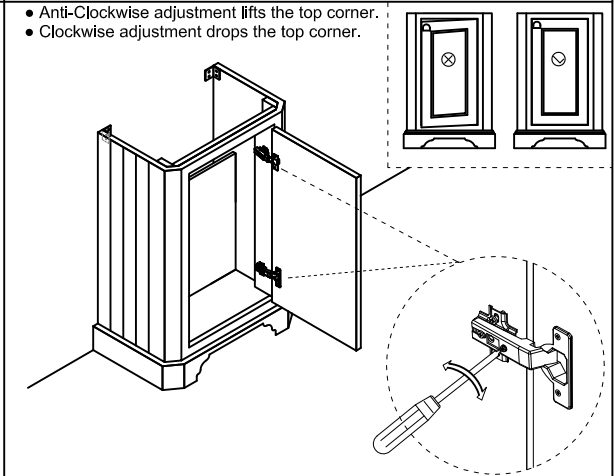
- Place the cabinet in final position, and check for level. If not, please adjust the feet at the bottom of the cabinet.



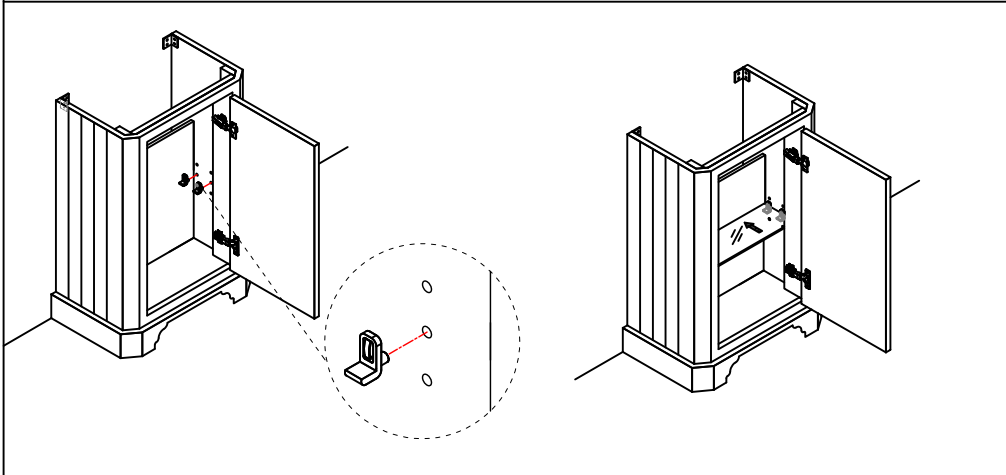
- Fix the cabinet onto the wall.



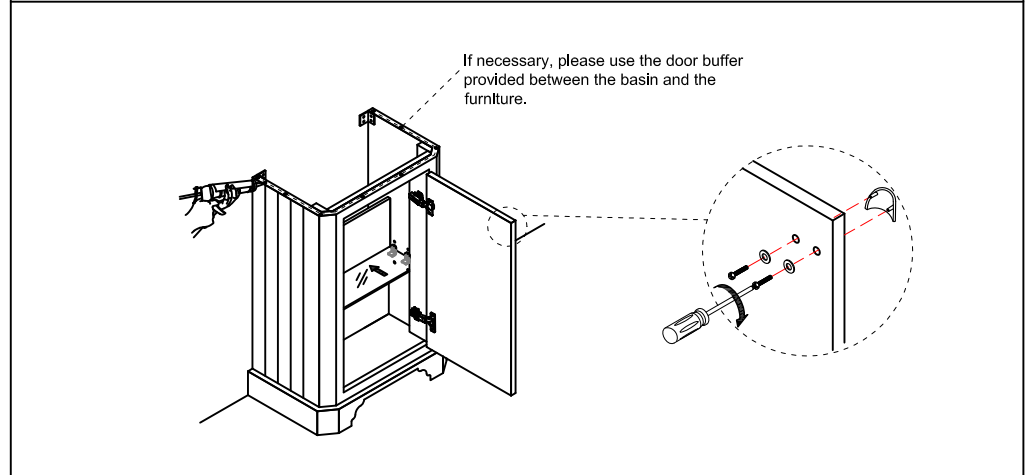
- Check the door for level. If not, please adjust the screw on the hinge.



- Please remove the protecting film before installing the glass shelf.
- Please plug in plastic clamp in the proper position, then insert the glass shelf.



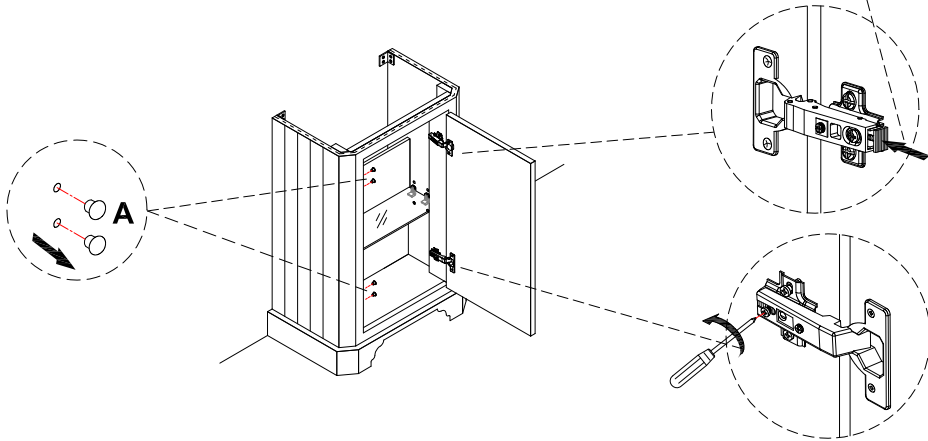
- Place silicon seal to top surfaces where basin sits, and back edge of basin to wall. This is to prevent water collecting between the basin and the cabinet.



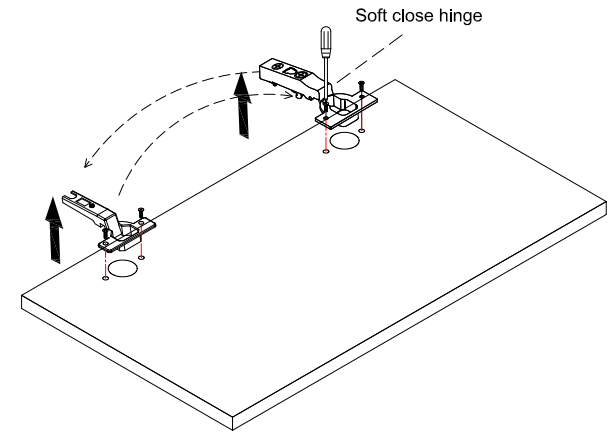
Instructions for door up/down reversal

1: Unscrew the hinges from the carcass, and from the opposite side remove parts A.

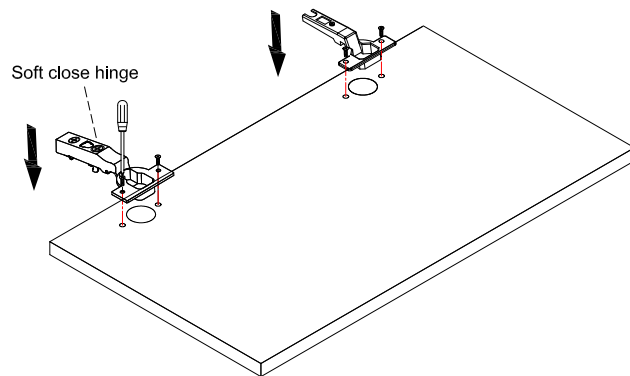
Press the end of the hinge plate to release it from the base.



2: Unscrew the hinges from the door.

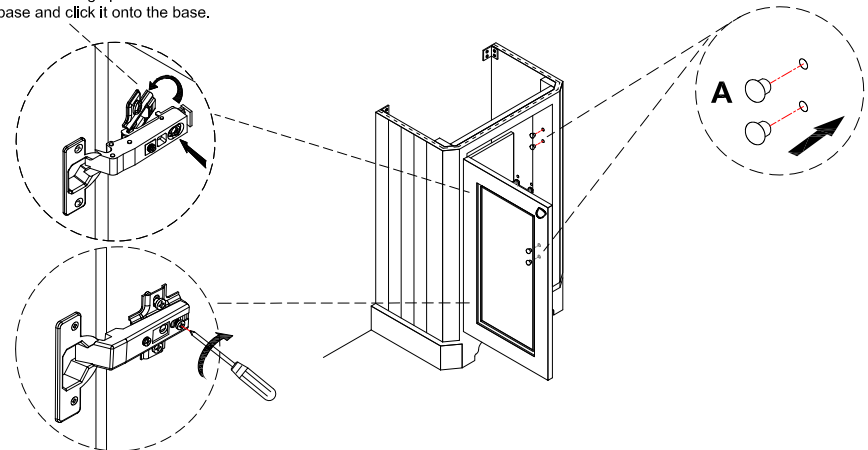


3: Exchange the two hinges and attach them to the door.



4: Reattach the door to the carcass, and insert parts A.

Press the hinge plate towards the base and click it onto the base.



Care and Maintenance: This is a wood product, and has a water resistant finish. It should not be left wet, and the quality of the finish is best maintained if it is wiped with a dry cloth after use. It should only be cleaned using a soft damp cloth followed by a dry cloth. Do not use bleach or any abrasive cleaner.