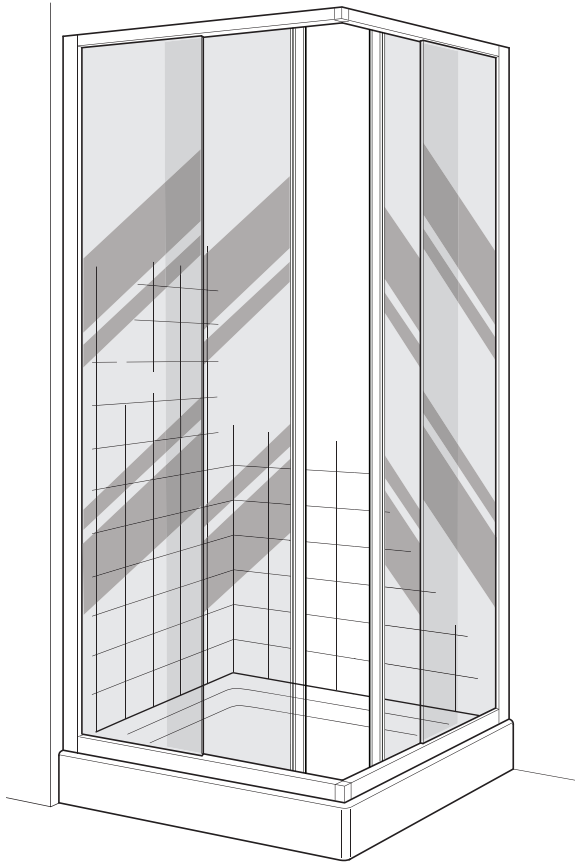


## Mira Elevate Corner Entry



These instructions must be left with the user

Installation Guide

*Showering perfection*

**mira**  
SHOWERS

# INTRODUCTION

Thank you for purchasing a quality Kohler product. To enjoy the full potential of your new product, please take time to read this guide thoroughly, having done so, keep it handy for future reference.

The following pages aim to provide comprehensive installation instructions, plus advice on how to care and maintain your product.

We recommend that the unit is installed by a qualified plumber or engineer.

## GENERAL INFORMATION

### General

1. Read all of these instructions and retain this guide for later use.
2. Pass on this guide in the event of change of ownership of the installation site.
3. Follow all warnings, cautions and instructions contained in this guide.
4. Remove all protective tape from the enclosure before installation.
5. Excessive flow rates may lead to overflowing and leaking.
6. Water Spray may extend beyond the entrance of walk-in enclosures and we recommend tiling of the adjacent area.
7. We recommend a drainage test is carried out to ensure the waste is adequate for the flow delivered
8. Doors that open outwards may drip water onto floor, ensure the floor covering will not be affected by water.
9. Walk ins and divider panels are designed to minimise water escaping outside the enclosure but by their very nature are not fully water tight.

### Safety Information

1. Care should be taken when drilling into walls and floors to avoid any hidden pipes or wires.
2. We strongly recommend that all glass panels are moved by a minimum of two people and that any protective packaging along the glass edges is kept in place for as long as possible to prevent damage before installation.
3. During installation we recommend additional help in lifting heavy doors and side panels.
4. Wear protective footwear when lifting panels.
5. Wear safety glasses when drilling.

### Before Fitting the Enclosure

1. Ensure the tray is level and walls are vertical and square.
2. Shower fittings should be positioned such that water discharges down the centre line of a bath or across the opening of a shower cubicle door.
3. Ensure water is not directed at the shower door or side panels. This could result in water spraying outside of the enclosure.
4. Ensure the door opening is positioned correctly and is adequate for all users.
5. Ensure there is a complete silicone seal between the tray and finished wall.
6. Ensure the door is undamaged and no parts are missing.

7. Ensure the size of door/panel is suitable for the installation. Tempered safety glass cannot be cut.
8. Ensure nothing can impact the door or glass panels during operation.

## When Fitting the Enclosure

1. The wall channels must be installed onto a tiled or waterproof finished flat and even wall surface. Failure to do so will result in an unsatisfactory seal, which may cause property damage.
2. We recommend our enclosures are fitted onto shower trays.  
**Warning!** The use of grout/tile cleaners, scale removers, abrasive scourers, drain unblockers and other powerful detergents may lead to damage of metallic, plated and plastic surfaces, including the tray and shower waste.

## Use of the Enclosure

1. High water pressure and flow may lead to excessive splashing causing water to escape outside of the enclosure.
2. In certain circumstances such as cleaning, water sprayed directly at the seals may escape outside of the enclosure.

## GUARANTEE

For domestic installations, Mira Showers guarantee this shower enclosure against any defect in materials or workmanship for a period of **ten** years from the date of purchase.

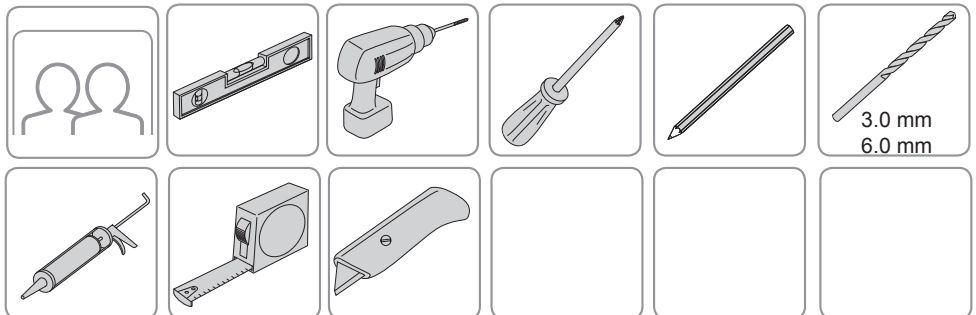
For non-domestic installations, Mira Showers guarantee this shower enclosure against any defect in materials or workmanship for a period of **one** year from the date of purchase.

For terms and conditions refer to the back cover of this guide.

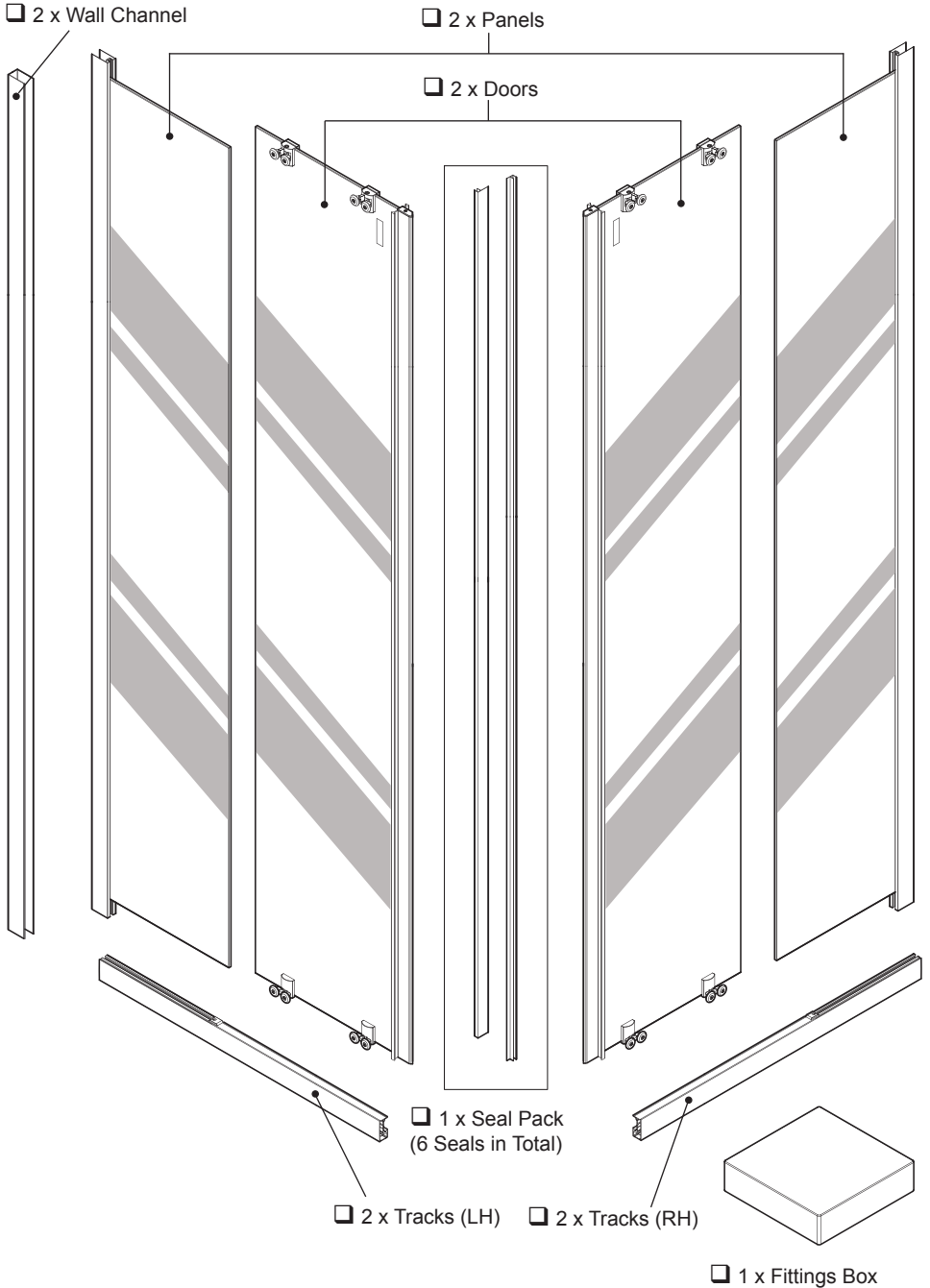
## RECOMMENDED USAGE

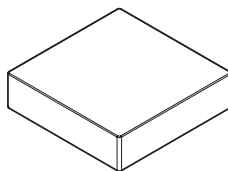
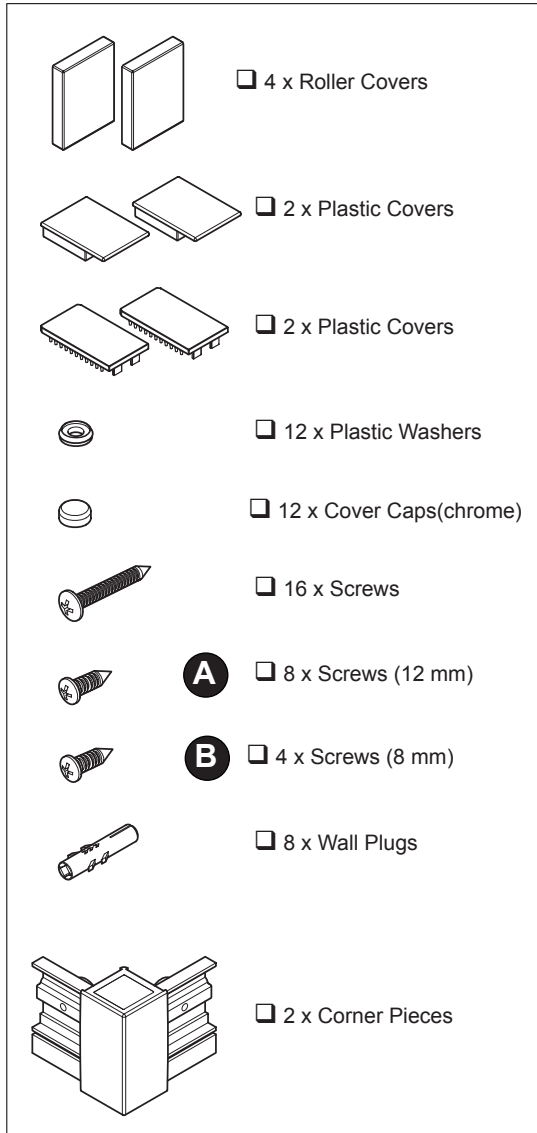
Domestic	✓
Light Commercial	✓
Heavy Commercial	✗
Healthcare	✗

## TOOLS REQUIRED



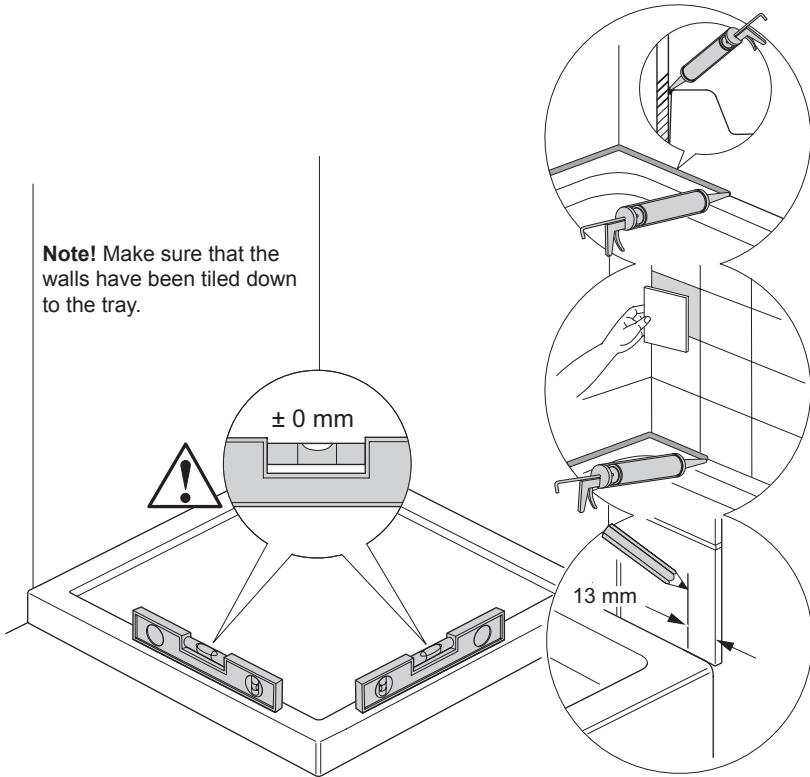
# PACK CONTENTS





# INSTALLATION

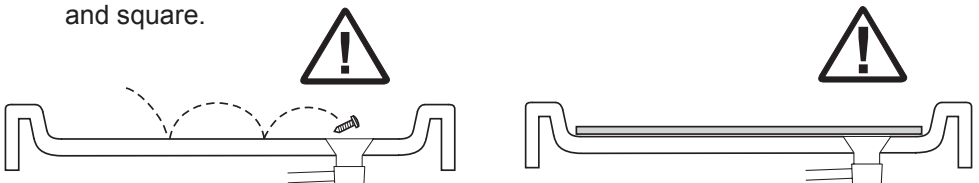
1



Product Height	1900 mm			
	Minimum Size Alcove	Maximum Size Alcove	Minimum Size Enclosure	Maximum Size Enclosure
760 x 760	N/A	N/A	722	747
800 x 800	N/A	N/A	762	787
900 x 900	N/A	N/A	862	887

(a) Install the shower tray in accordance with the manufacturer's instructions.

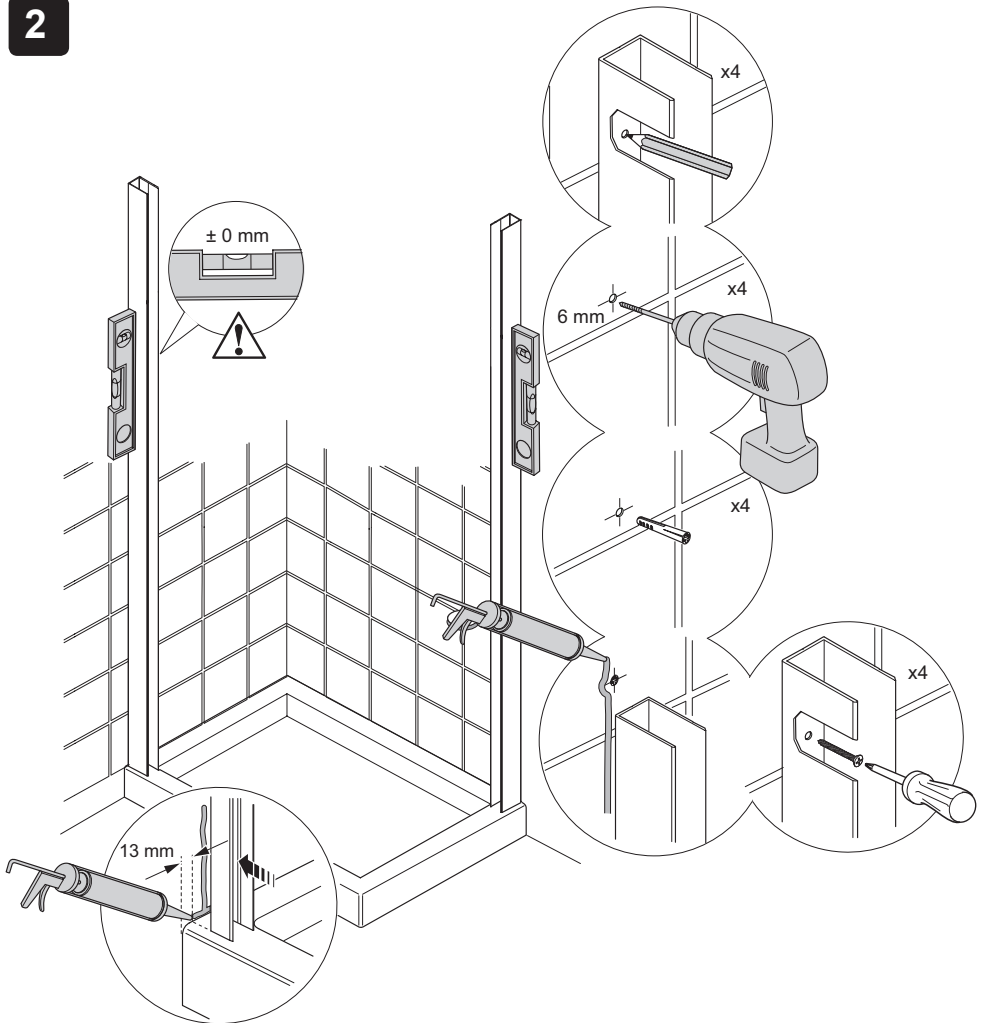
**Caution!** Make sure that the shower tray is level and that the walls are vertical and square.



**Note!** Cover the tray waste to prevent the loss of small parts.

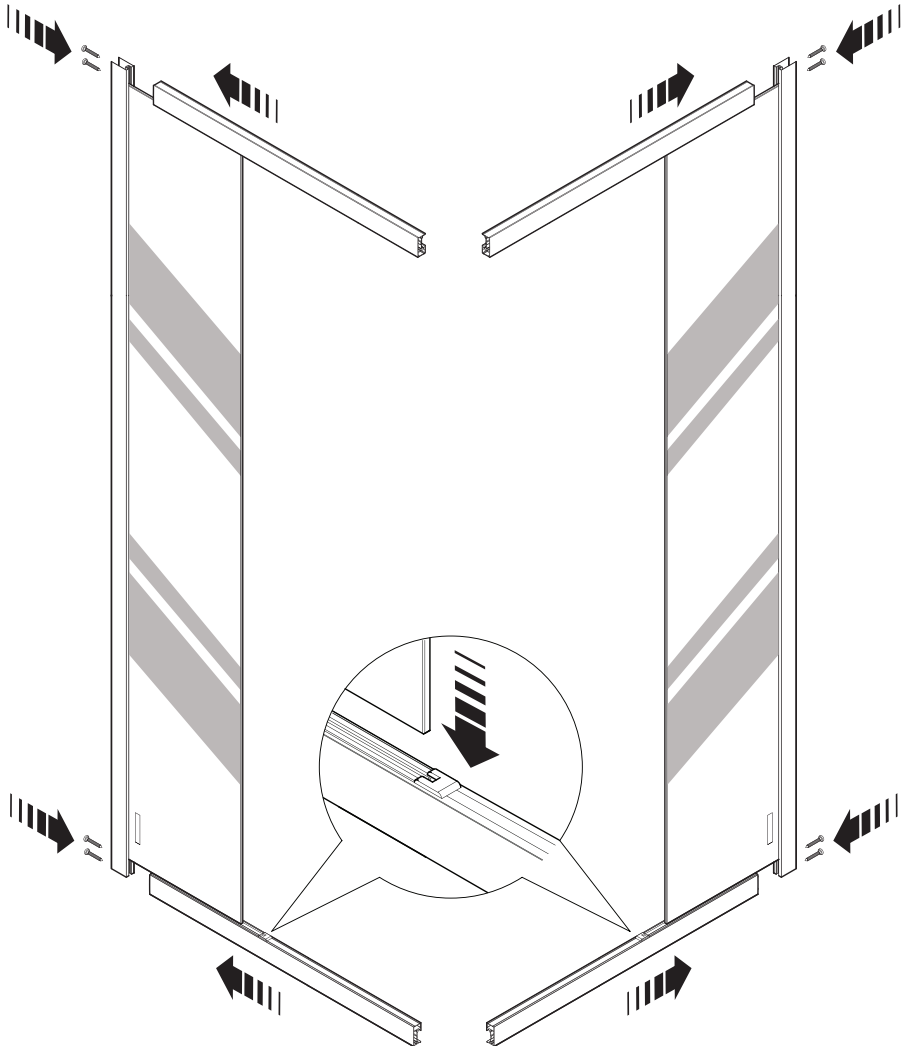
**Note!** Protect the tray surface during enclosure installation.

2



- (a) Position the wall channels on the wall. Using a spirit level make sure that they are upright.
- (b) Mark the position of the fixing holes, then remove the wall channels.
- (c) Drill with a 6 mm masonry bit (not supplied) and plug using the wall plugs (supplied). For other types of wall structure alternative fixings may be required (not supplied).
- (d) Apply silicone sealant along the length of the wall and at the bottom where the wall channel will be placed, including the top of the tray.
- (e) Position the wall channels on the wall and install the fixing screws.
- (f) Fully tighten the fixing screws, making sure that the wall channels are upright.

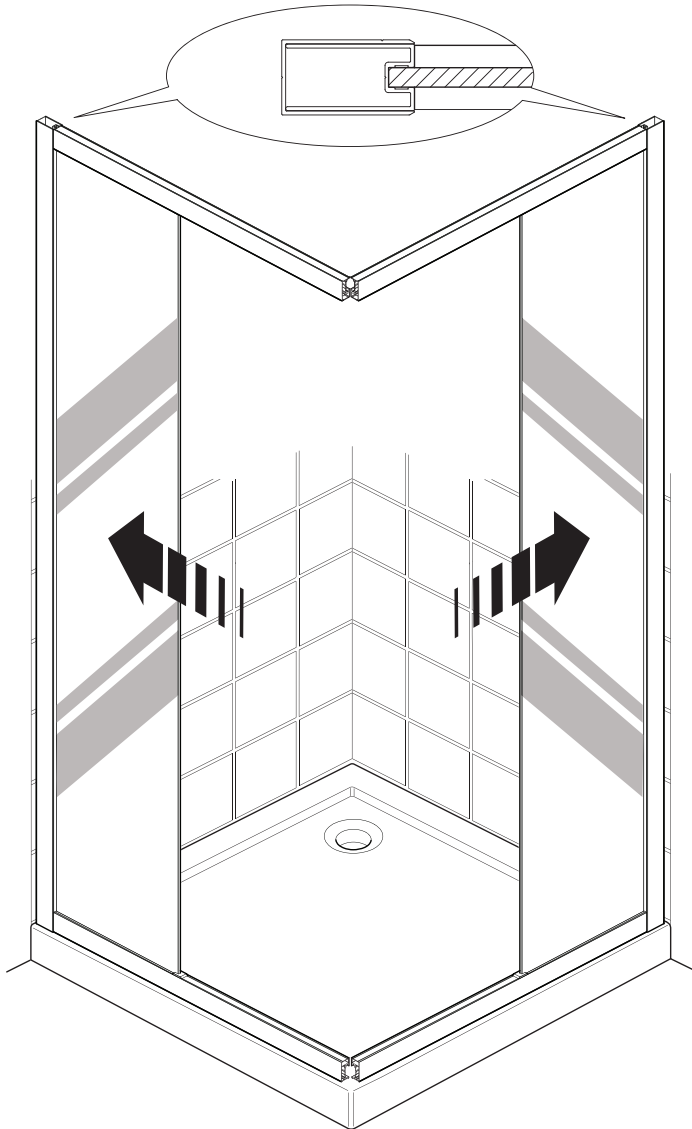
3



- (a) Install the top and bottom tracks on one of the glass panels, making sure the glass locates correctly in the seal.
- (b) Install the fixing screws to secure the glass panel to the top and the bottom tracks.
- (c) Repeat this procedure for the other glass panel.

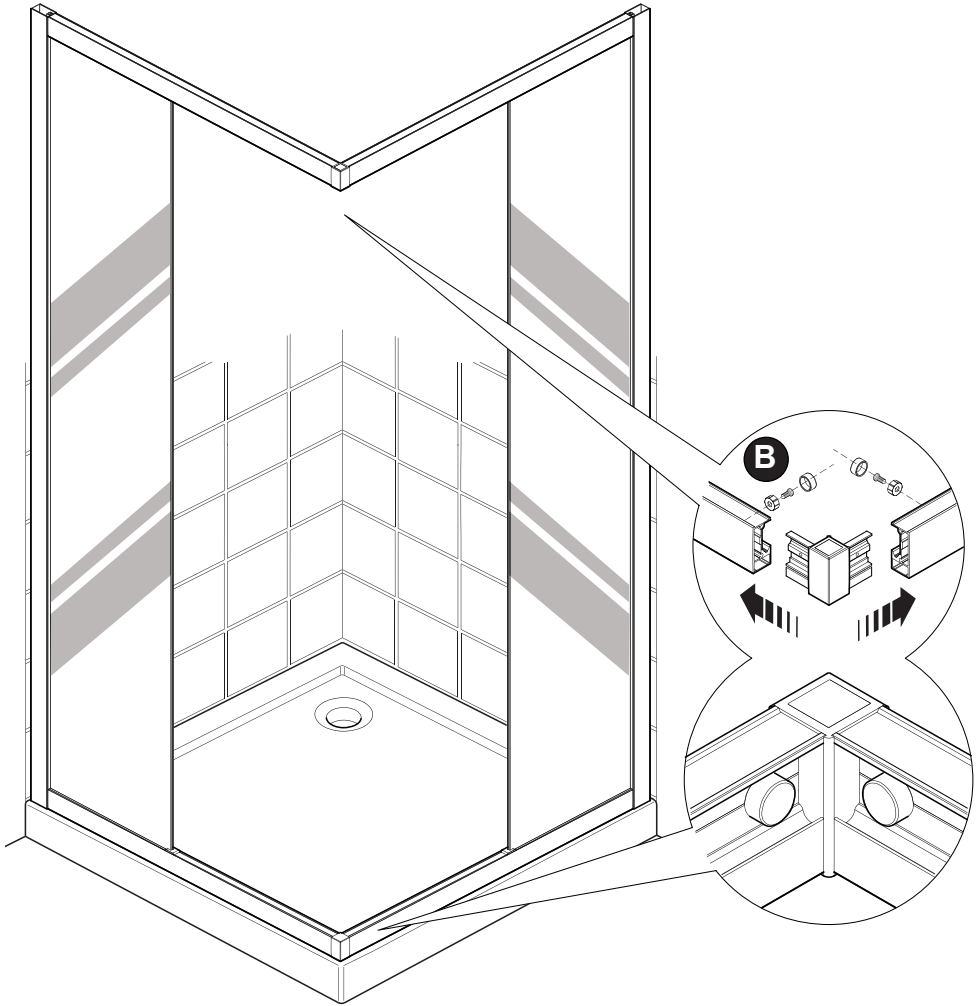


4



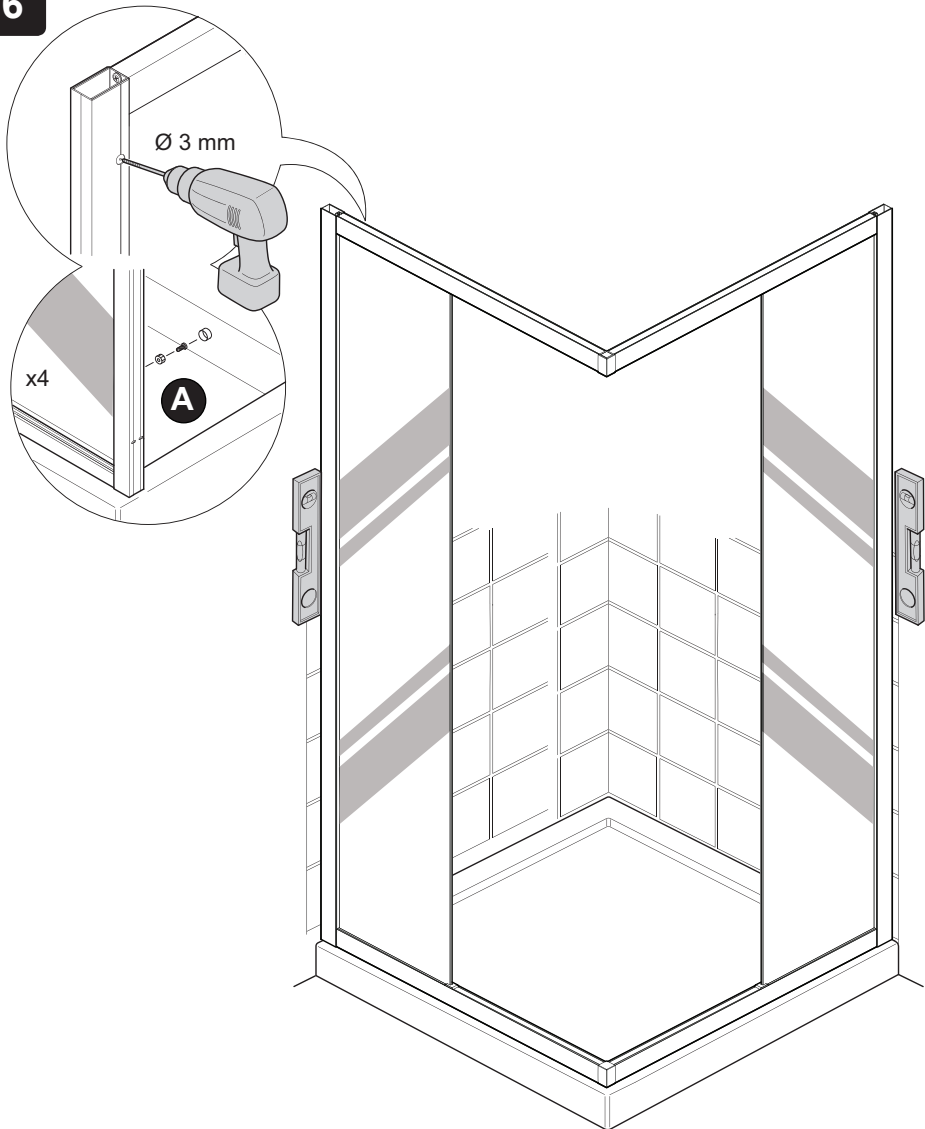
(a) Install the panel assemblies into the wall channels.

5



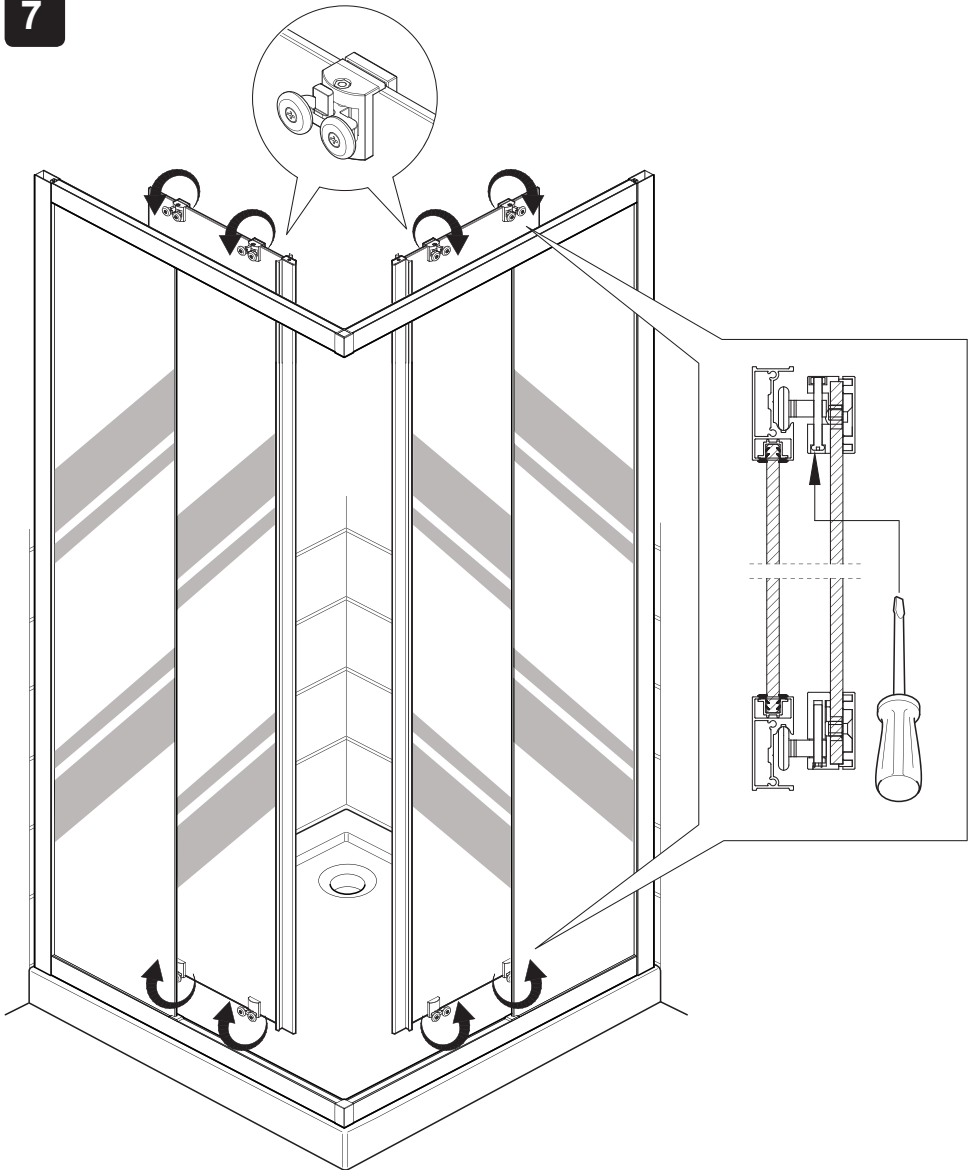
- (a) Install the corner brackets in position.
- (b) Secure in position with the washers and the screws.
- (c) Install the chrome caps.
- (d) Adjust the frame so that it is in the correct position.

6



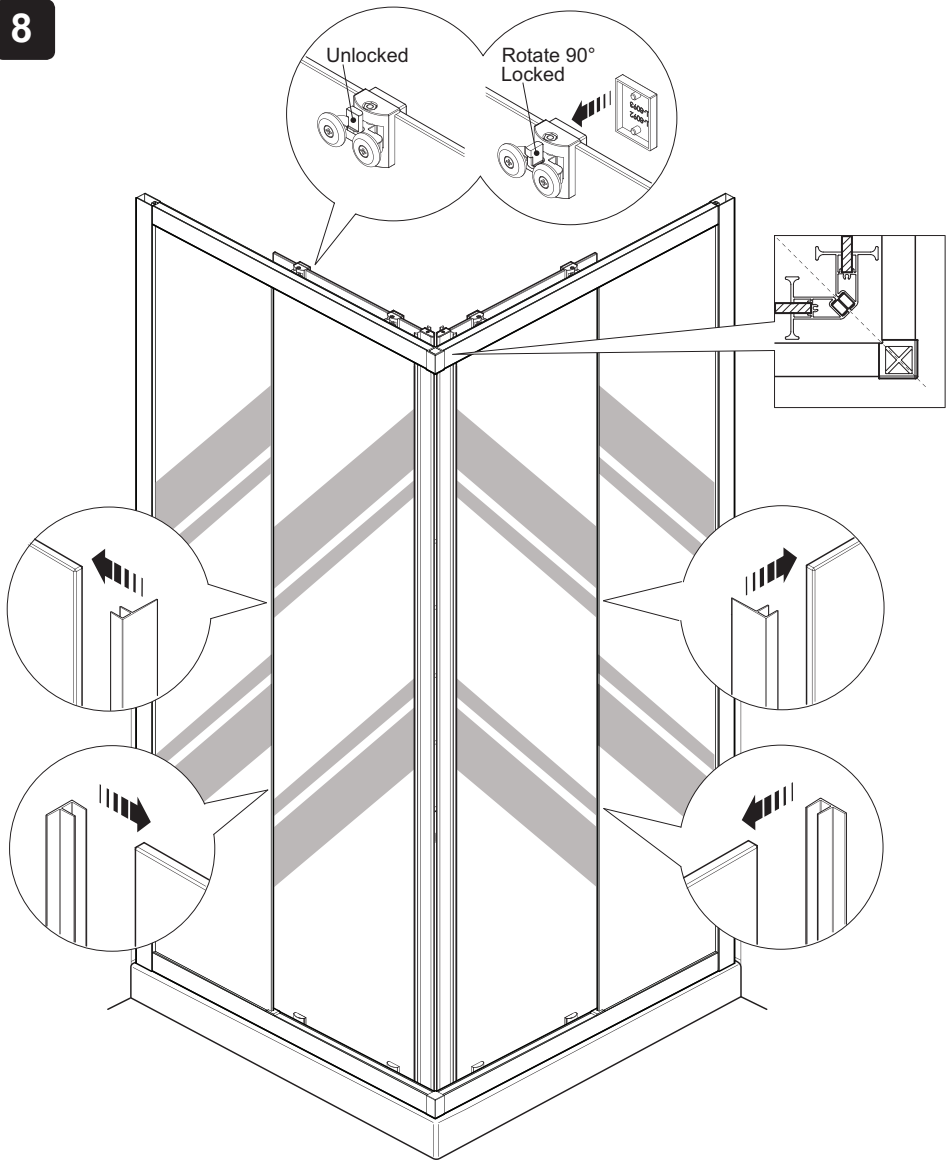
- (a) Drill four 3 mm holes from inside the shower enclosure in the door frame through the hole centre marked on the wall channel with a 3 mm HSS drill (not supplied).
- (b) Install the plastic washers and the screws.
- (c) Tighten the screws.
- (d) Repeat the process for the other wall channel.
- (e) Fit the chrome caps over the screwheads.

7



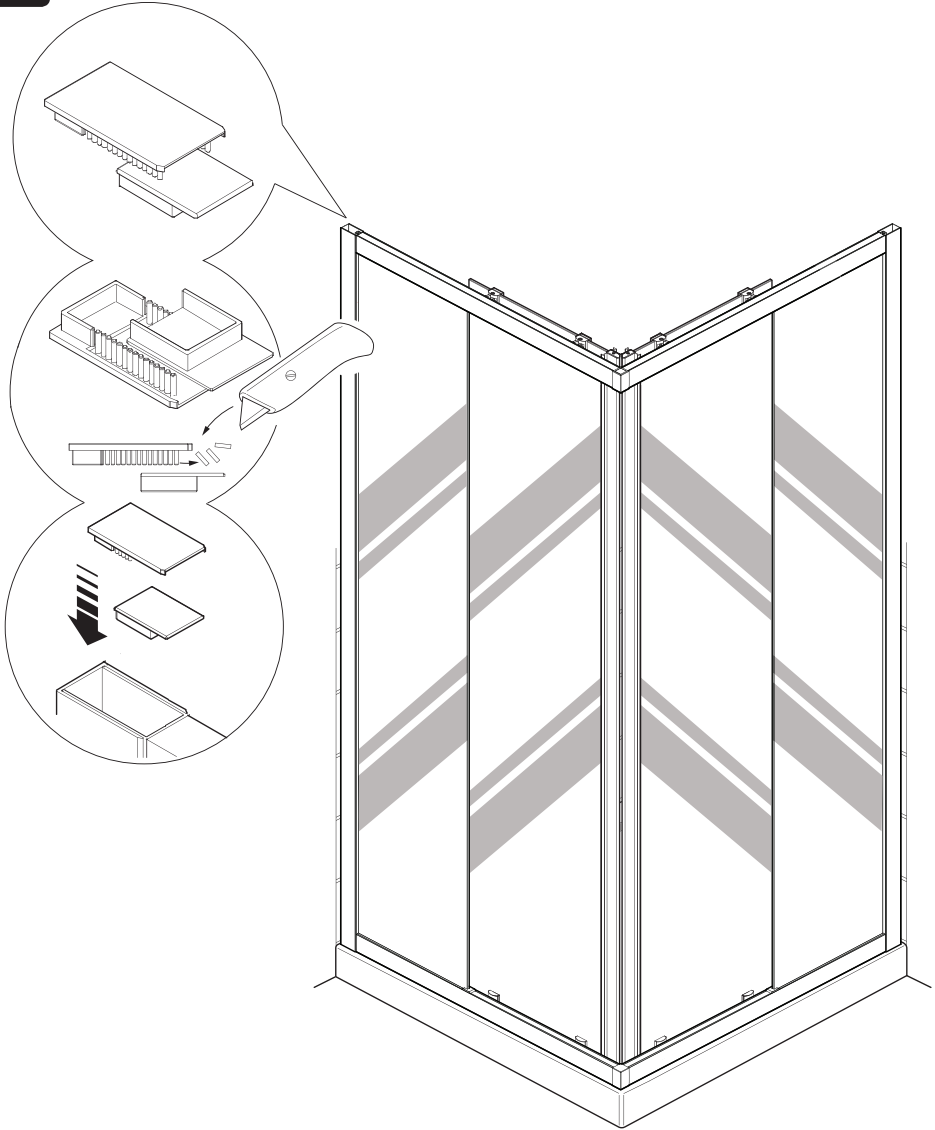
- (a) Hang the doors onto the top rail.  
**Note!** Make sure that the roller adjusting screws are facing downwards.
- (b) Adjust the top rollers with the adjusting screw until the bottom rollers easily clip into the bottom rail.
- (c) Finally adjust the rollers to give an even and smooth action when the door is opened and closed.

8



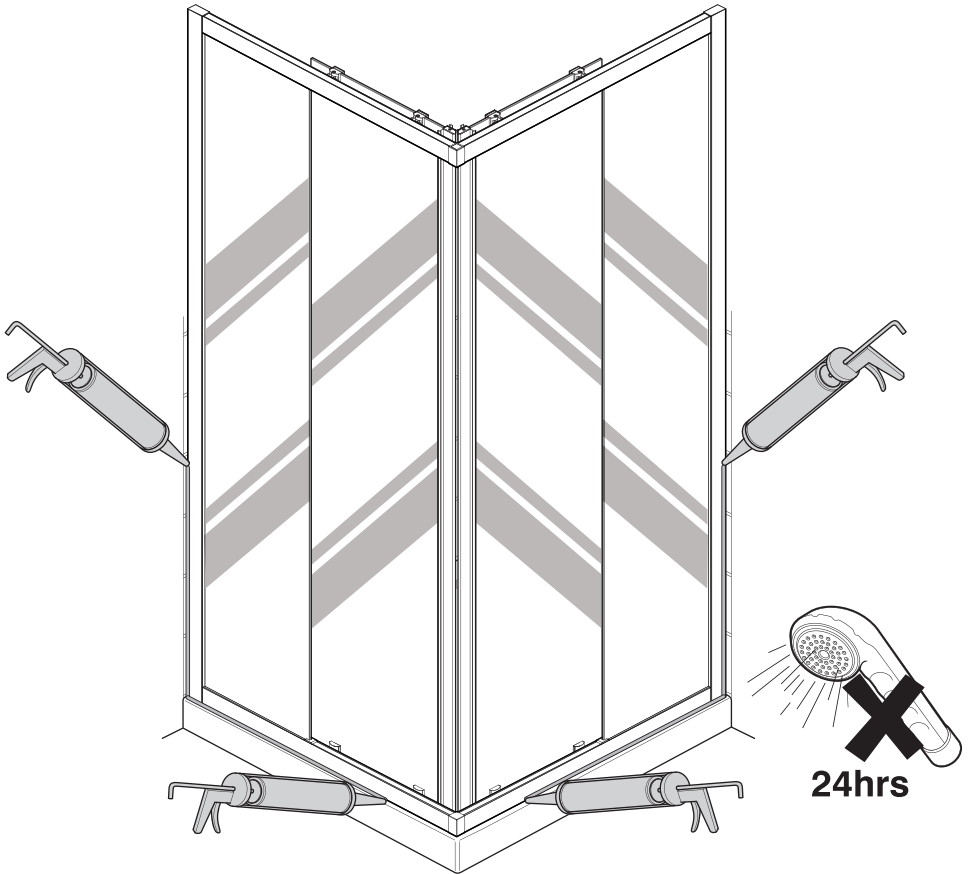
- (a) Fit the seals to the door and the fixed panel.
- (b) Lock the top roller assemblies in position by turning the lock through 90°.
- (c) Fit the roller covers.
- (d) Make sure that the doors open and close correctly. Adjust if necessary.

9



(a) Fit the plastic covers to the top of the extrusions.

10



- (a) Apply sealant in accordance with the sealant manufacturers instructions along the outside surfaces of the enclosure.
- (b) Allow the silicone sealant to cure for 24 hours before use.

# MAINTENANCE

## General Maintenance

Providing the shower enclosure has been correctly installed and is operated in accordance with the instructions contained in this guide, difficulties should not arise.

If any maintenance is required then it must be carried out by a competent tradesperson to whom the maintenance instructions are provided.

Before replacing any parts ensure the underlying cause of the malfunction has been resolved.

## Cleaning

**Warning!** The use of grout/tile cleaners, scale removers, abrasive scourers, drain unblockers and other powerful detergents may lead to damage of metallic, plated and plastic surfaces, including the tray and shower waste.

The enclosure should be cleaned with a mild washing up detergent and wiped dry using a soft cloth.

## Care

To preserve the beauty of your shower enclosure for many years, please observe the following care instructions:

Rinse glass and frame with clear water after showering. Remove water droplets with a squeegee. Do not rub dry! To clean your shower hygienically and easily, we recommend the use of a biodegradable cleanser.

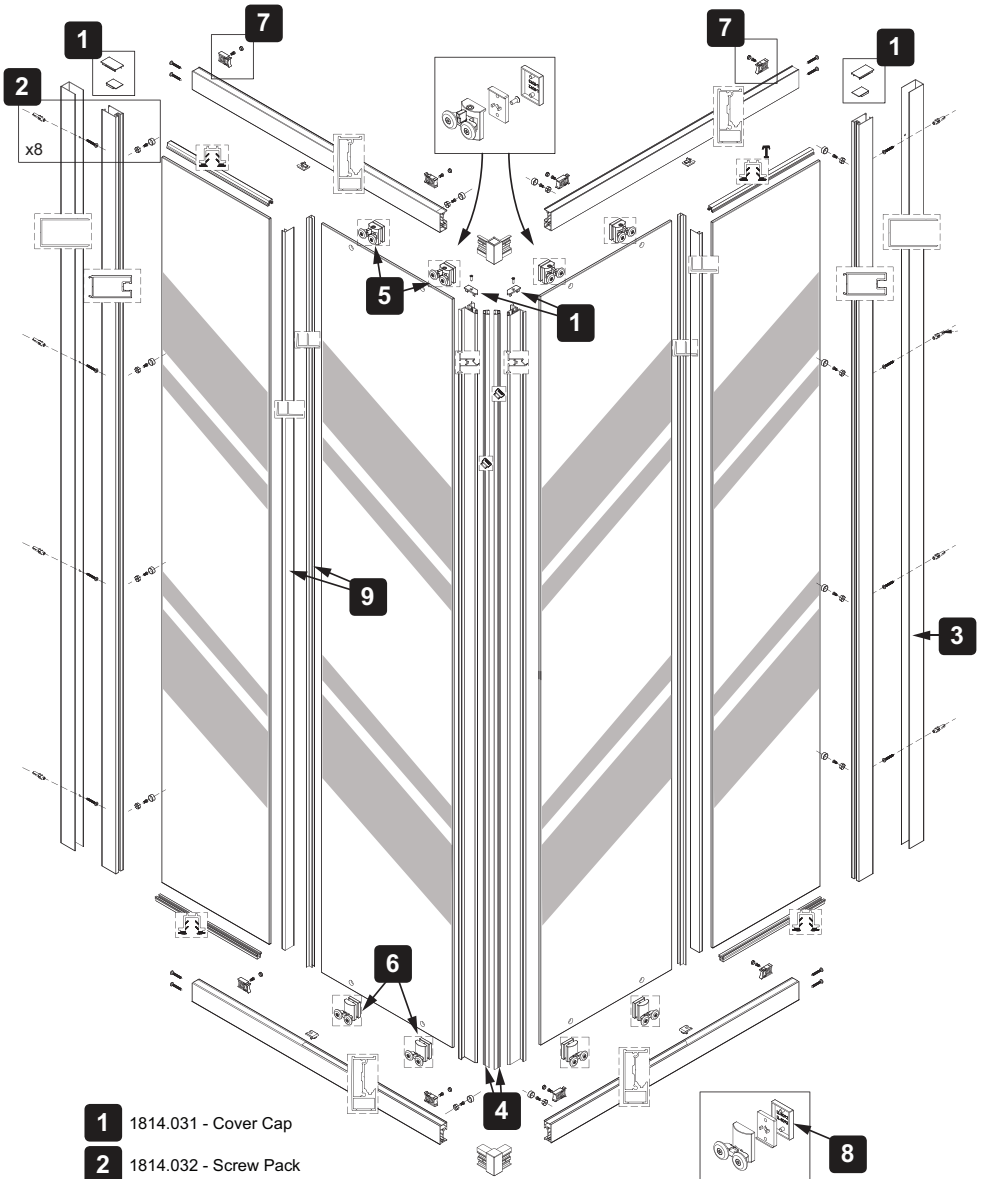
Regular cleansing with a biodegradable cleanser prevents stubborn stains and ensures a clean and hygienic surface for many years. Do not use scouring or caustic cleansers under any circumstances! These can damage the surface of the frame, glass and decorative parts as well as the plastic parts.

## Chrome Parts

Use only cleansers expressly specified for chrome!



# SPARE PARTS



- 1** 1814.031 - Cover Cap
- 2** 1814.032 - Screw Pack
- 3** 1814.044 - 'U' Channel
- 4** 1814.049 - Corner Entry (Magnetic Seal Pack)
- 5** 1814.040 - Top Roller
- 6** 1814.041 - Bottom Roller
- 7** 1814.042 - Roller Stopper
- 8** 1814.043 - Roller Cover
- 9** 1814.038 - Vertical Seal Pack

# NOTES

# DECLARATION OF PERFORMANCE

## KOHLER®

### DECLARATION OF PERFORMANCE

Kohler Mira Ltd.  
Cromwell Road  
Cheltenham  
Gloucestershire  
GL52 5EP  
United Kingdom  
Tel: 0844 571 1155  
Fax: 0844 581 1100  
www.kohlermira.co.uk

**Brand name:** Mira.

**Product name:** Elevate Shower Enclosures

**Product Range:** Elevate Pivot Door, Elevate Slider Door, Elevate Inline Panel, Elevate Side Panel, Elevate Filer Section. Elevate Bi-Fold Door, Elevate Corner Entry, Elevate Quadrant Enclosure, Elevate Wet Room Panel,

**Product type:** Domestic Shower Enclosure

**Manufacturer:** Kohler Mira Ltd  
Cromwell Road, Cheltenham  
Gloucestershire GL52 5EP  
United Kingdom.

**Directives:** EU 305/2011 Construction Products Regulations

**System of assessment:** System 4:  
Type testing / Factory production Control

**Standards:** EN 14428:2004 +A1:2008.  
Shower enclosures – Functional requirements and test methods.

Essential Characteristics	Performance	Harmonised technical specification
IR-CA-DA	Compliant	EN 14428:2004 +A1:2008

The performance of the products described above, are in conformity with the relevant community harmonisation legislation.

This declaration of performance is issued under the sole responsibility of Kohler Mira Ltd.

Signed for and on behalf of Kohler Mira Ltd.

# CE 13

**Signature:** 

**Name:** Andrew Baines  
**Place:** Cheltenham, UK  
**Doc. No.:** CE 0079

**Position:** NPD Director  
**Date:** 7<sup>th</sup> October 2013,  
**Issue:** 1.

# CUSTOMER SERVICE

## Guarantee

Your product has the benefit of our manufacture's 10 year guarantee (1 year for any commercial installations) which starts from date of purchase. **Note!** door seals, gaskets and magnets are guaranteed for 3 years only.

To activate this guarantee, please visit our website within 30 days of purchase (UK only).

Within the guarantee period we will resolve defects in materials or workmanship by either repairing the product, providing new goods and parts to you in replacement or refunding (up to but not in excess of) the original purchase price, as we may choose.

**This guarantee is in addition to your statutory rights and is subject to the following conditions:**

- The guarantee applies solely to the original installation under normal use and to the original purchaser only. The product must be installed and maintained in accordance with the instructions given in this user guide. The product must be inspected and issues reported before installation.
- Servicing must only be undertaken by us or our appointed representative. **Note!** if a service visit is required the product must be fully installed and connected to services.
- Repair under this guarantee does not extend the original expiry date. The guarantee on any replacement parts or product ends at the original expiry date.
- For trims, handles or consumable items we reserve the right to supply replacement parts only.

**The guarantee does not cover:**

- Call out charges for damage or defects caused by incorrect installation, frost damage, mildew, limescale, corrosion, lack of maintenance, improper use, inappropriate cleaning (please refer to our Care and Maintenance Instructions) or where no fault has been found with the product.
- Accidental or wilful damage.
- Compensation for loss of use of the product or consequential loss of any kind.
- Damage or defects caused if the product is repaired or modified by persons not authorised by us or our appointed representative.
- Wear and Tear.
- Glass breakage or the coating on the glass. By its nature all glass has the potential to shatter therefore we only use toughened safety glass.
- Products purchased ex-showroom display.  
**Note!** Integrated shower systems are subject to a separate guarantee.

**IMPORTANT! Enclosures must be inspected for defects prior to installation. This Guarantee does not cover the costs of removal and/or reinstallation where a defect would have been discovered by inspection prior to installation.**

## What to do if something goes wrong

If your product does not function correctly when you first use it, contact your installer to check that it is installed in accordance with the instructions in this manual.

If this does not resolve the issue, contact our Customer Services Team who will offer you or your installer help and advice.



**Helpdesk Service** - Our Customer Services Team is comprehensively trained and can offer help and advice, spare parts, accessories or a service visit. You will need to have your model name, model number and date of purchase.



**Mira Showers Website ([www.mirashowers.co.uk](http://www.mirashowers.co.uk))**

From our website you can register your guarantee, download additional user guides, diagnose faults, purchase our full range of accessories and popular spares, refer to our FAQ's and request a service visit.



**Spares and Accessories** - We hold the largest stocks of genuine Mira spares and accessories. Contact us for a price or visit our website to purchase items from our accessory range and popular spares.



**Service/Repairs** - No one knows our products better than our nationwide team of Service Technicians. We can carry out service or repair work to your product both during and after the guarantee period. Ask about our fixed price service repairs.

## To Contact Us: UK



**0844 571 5000**

Calls cost 7p per minute plus your phone company's access charge



**Fax: 01242 282595**



Email – Visit

[www.mirashowers.co.uk/contactus](http://www.mirashowers.co.uk/contactus)



By Post: **Mira Customer Services Dept, Cromwell Road, Cheltenham, Gloucestershire GL52 5EP**



Kohler Mira Limited, Cromwell Road, Cheltenham, Gloucestershire, GL52 5EP, UK

Kohler  
Elevate Range of Domestic Shower  
Enclosures  
Declaration of Performance: CE0079

Essential Characteristics	Performance	Specification
IR-CA-DA	Compliant	EN 14428:2004 + A1:2008

Mira is a registered trade mark of  
Kohler Mira Limited.

The company reserves the right to alter  
product specifications without notice.



**mira**  
SHOWERS