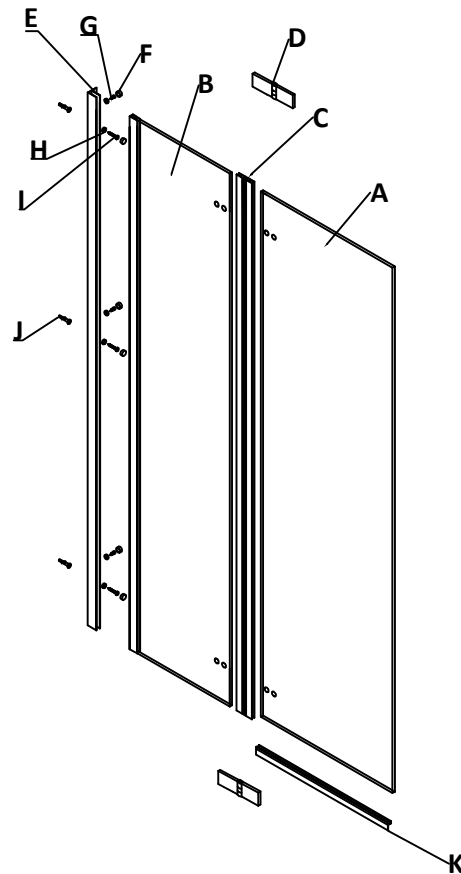


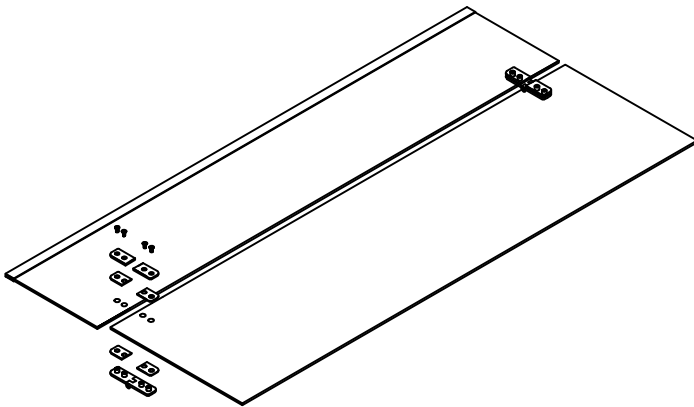
ERSS1 - HINGED BATH SCREEN FITTING INSTRUCTIONS

A	HINGED PANEL	1
B	FIXED PANEL	1
C	MAGNETIC SEAL	1
D	HINGE	2
E	WALL POST	1
F	COVER CAPS	6
G	10mm SELF TAPPING SCREW	3
H	SCREW COLLARS	6
I	30mm SCREW	3
J	WALL PLUGS	3
K	BOTTOM SEAL	1

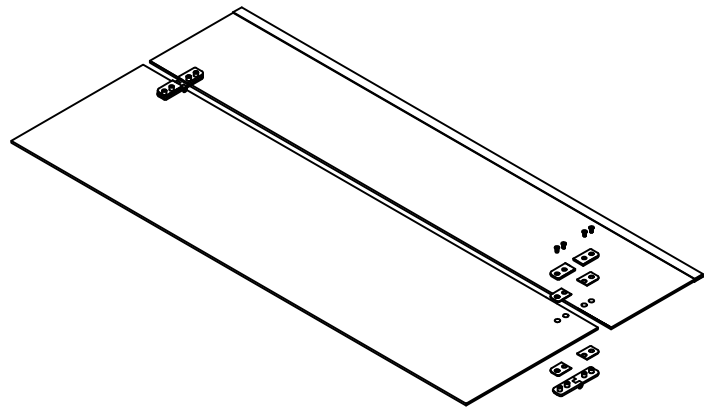


TOOLS REQUIRED

POWER DRILL
3.2 mm H.S DRILL
5mm MASONRY DRILL
POZI DRIVE SCREW DRIVER
SPIRIT LEVEL



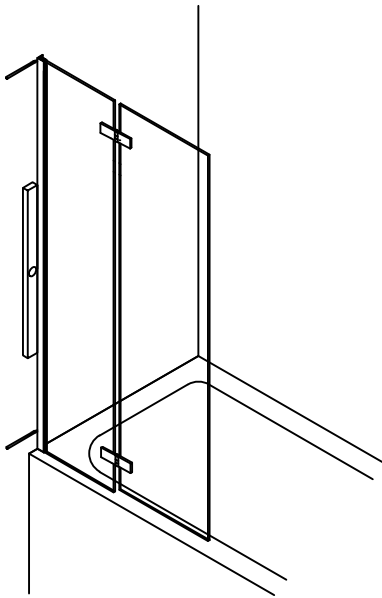
RIGHT HAND ASSEMBLY



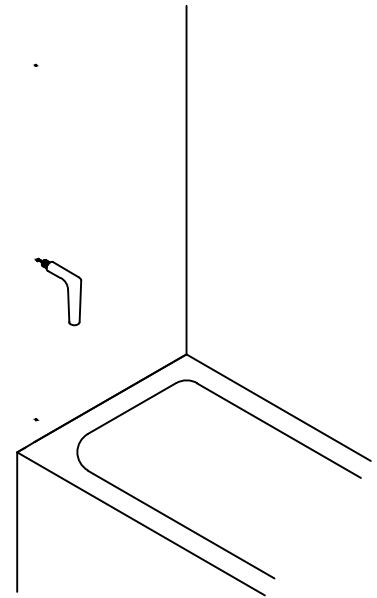
LEFT HAND ASSEMBLY

1. LAY THE FIXED AND HINGED PANELS FACE DOWN WITH THE SHORT END OF THE HINGED PANEL TO THE BOTTOM, ONTO A PROTECTIVE SURFACE. DISASSEMBLE THE HINGES AND FIX TO THE PANELS AS SHOWN.

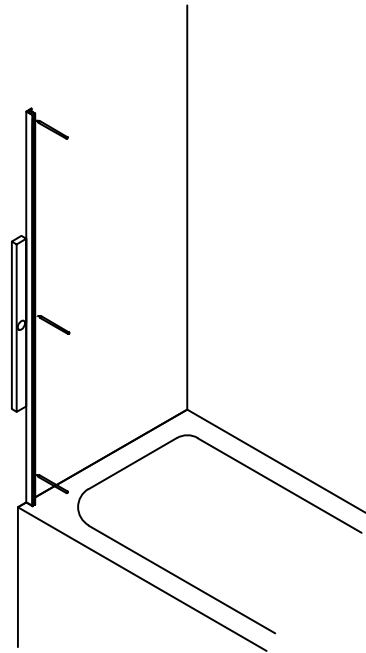
AFTERCARE - ENSURE YOU CLEAN YOUR PRODUCT USING A MILD DETERGENT DILUTED IN WATER, REMOVING ANY RESIDUE WITH A SOFT DAMP CLOTH.
MAINTENANCE - ENSURE MOVING PARTS ARE FREE FROM ANY DEBRIS OR SOAP BUILD UP.



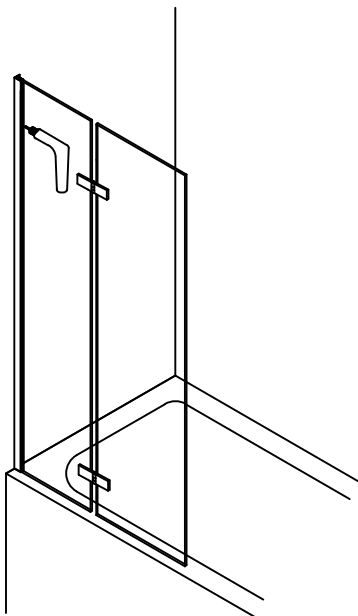
2. PUT THE WALL POST ONTO THE FIXED PANEL, WITH THE HELP OF ANOTHER PERSON PLACE IN POSITION ON THE BATH. USING A SPIRIT LEVEL MARK THE POSITION OF THE WALL POST ON THE WALL WHERE IT WILL BE FIXED.



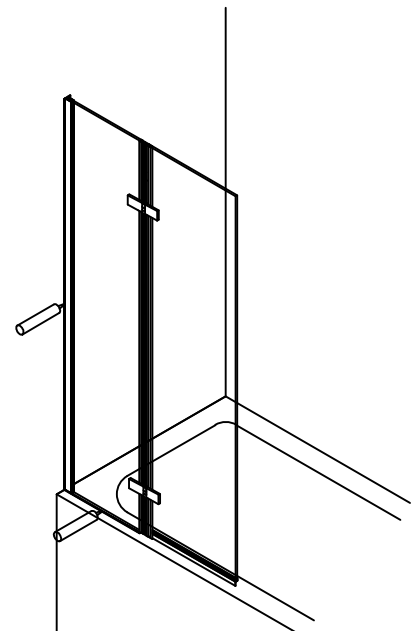
4. REMOVE THE WALL POST AND DRILL WHERE MARKED FOR THE WALL FIXINGS. REPLACE THE WALL POST AND SECURE INTO POSITION.



3. REMOVE THE SCREEN AND WALL POST FROM THE BATH, TAKE THE WALL POST AND PUT BACK INTO POSITION, USING A SPIRIT LEVEL TO ENSURE THAT THE POST IS PLUMB MARK THE POSITION OF THE 3 FIXING HOLES.



5. WITH THE HELP OF ANOTHER PERSON PLACE THE ASSEMBLED SCREEN INTO POSITION . MARK THE POSITIONS FOR THE 3 SIDE FIXINGS (SLIGHTLY OFFSET FROM THE WALL FIXINGS SO YOU CAN FIX THE COVER CAPS) ENSURE YOU DRILL THROUGH INTO THE FIRST PART OF THE HOLLOW BOX SECTION OF THE ALUMINIUM PROFILE ON THE FIXED SCREEN BEING CAREFUL NOT TO GO THROUGH THE OTHER SIDE (DO NOT DRILL INTO THE GLASS SECTION). DRILL THROUGH USING A 3.2 mm BIT AND FIX USING THE 10mm SELF TAPPING SCREWS.



6. FIT THE MAGNETIC SEAL BY SPLITTING THE SEAL AND ATTACHING TO THE VERTICAL SIDES OF THE FIXED AND HINGED PANEL THIS CAN BE DONE WITH THE DOOR IN THE OPEN POSITION. FIT THE BOTTOM SEAL AND BUTT THIS UP AGAINST MAGNETIC SEAL. USING A SANITARY GRADE SILICONE SEALANT SEAL DOWN THE WALL POST AND AROUND THE INSIDE AND OUTSIDE AT THE BOTTOM OF THE FIXED PANEL. LEAVE TO SET FOR 24 HOURS BEFORE USING THE BATH SCREEN.

Assembly Instructions

Instructions for installing the bath and the panel

List of elements:

- 1. Bath - 1 item
- 2. Frame rails - 2 items
- 3. Wood screws - 12 items
- 4. Bath legs - 4 pieces
- 5. Leg nuts - 12 items

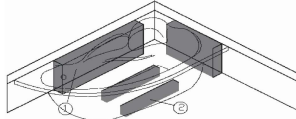
- 6. Foot with thread - 4 items
- 7. Foot stabilization stand - 4 items
- 8. Wall plugs - 4 items
- 9. Wall brackets - 4 items

For mounting the casing:

- 10. Panel - 1 item
- 11. Mounting clips - 8 items
- 12. Wall plugs - 4 items
- 13. Wood screws - 12 items
- 14. Floor screws - 4 items

Bath installation on the base:

- 1) Base
- 2) Stand



Before You Start.

- Read these instructions carefully.
- Check the pack & make sure you have all parts listed. If not, contact your supplier who will be able to help you.
- When ready to start, ensure that you have all the right tools to hand, plenty of space & a clean dry area for assembly.
- Remove packing & protective film & inspect product prior to the commencement of assembly. Any damages found must be reported to the product supplier immediately.
- Remove & discard any transportation screws as they are not required for installation.

It is recommended that when the bath needs turning 2 people should carry out his operation.

Fitting Instructions:

- Turn the bath over so it is sitting on the top face. Ensure that the top face is protected so it cannot be scratched or damaged.

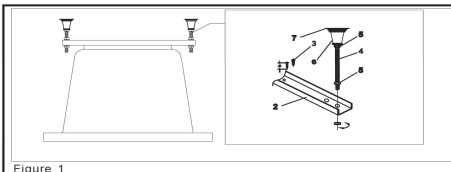


Figure 1

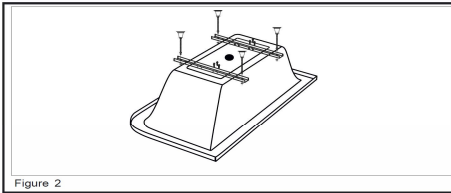


Figure 2

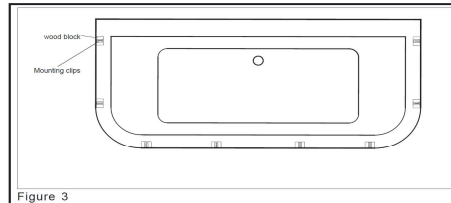


Figure 3

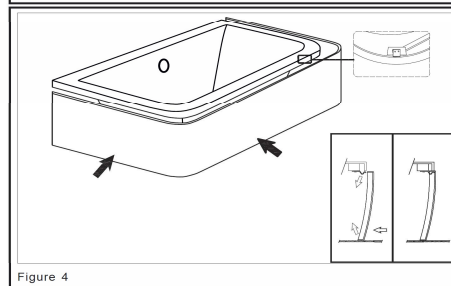
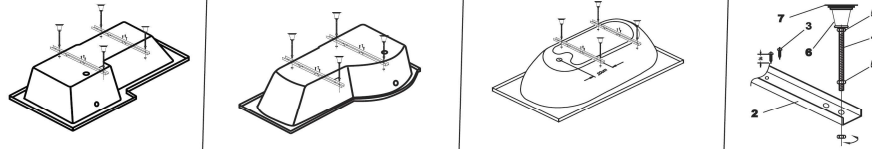


Figure 4

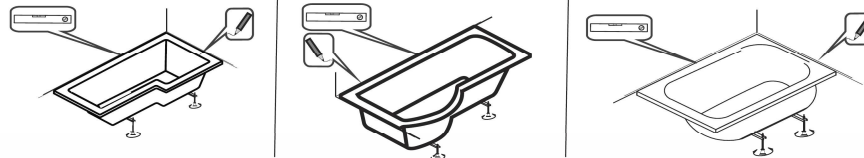
1. Place the bath as in Figure 2. Mount rails (2) to the bath bottom using wood screws (3) Then screw down legs (4). The rails spacing should ensure stability of the installed bath.

Figure 1



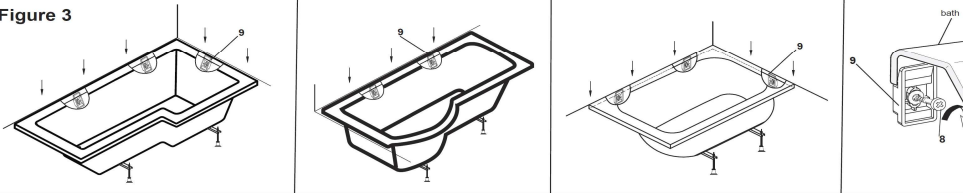
2. Put the bath in the selected place in the bathroom. Then level the bath legs (4). Mark the outline on both walls. Mark the places for brackets (9) (see Figure 3).

Figure 2



3. Mount the brackets (9) to the walls and slot the bath onto the brackets.

Figure 3



rew.1.1/12/08/15

4.

A. Tighten the clips (11) to the wooden block under the bath rim

B. Tighten the clips (11) to the floor using screw provided (14)

C. Install the panel as shown in Figure 4. If necessary the panel can be trimmed to the required dimensions.

The panel is a separate product.

Figure 4

